



LED Designer Deco

UFO LEDBulb 24W E27 6500K 230V 1CT/6

Philips LED Designer Deco lamps allow you to maintain a warm, classic light or a modern, chic effect while providing longer life and energy savings

Product data

General Information	
Cap-Base	E27 [E27]
EU RoHS compliant	Yes
Nominal lifetime	15,000 hour(s)
Switching Cycle	50,000
Lighting Technology	LED
Brand	Philips

Light Technical	
Color Code	865 [CCT of 6500K]
Beam Angle (Nom)	120 degree(s)
Luminous Flux	2,250 lumen
Color Designation	Cool Daylight
Correlated Color Temperature (Nom)	6500 K
Luminous Efficacy (rated) (Nom)	93.00 lm/W
Color Consistency	<6
Color rendering index (CRI)	80
LLMF At End Of Nominal Lifetime (Nom)	70 %

Operating and Electrical	
Line Frequency	50 to 60 Hz
Input Frequency	50 to 60 Hz
Power Consumption	24 W
Lamp Current (Nom)	210 mA
Wattage Equivalent	135 W

Starting Time (Nom)	0.45 s
Warm-up time to 60% light	0.45 s
Power Factor (Fraction)	0.5
Voltage (Nom)	220-240 V

Temperature	
T-Case Maximum (Nom)	68 °C

Controls and Dimming	
Dimmable	No

Mechanical and Housing	
Bulb Finish	Frosted
Bulb Shape	Others

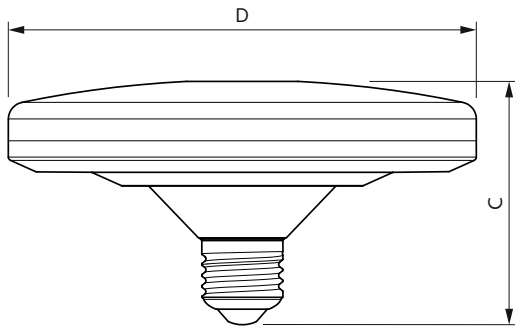
Approval and Application	
Energy Consumption kWh/1000 h	24 kWh

Product Data	
Full product code	871869975540900
Order product name	UFO LEDBulb 24W E27 6500K 230V 1CT/6
Order code	929001971971
Numerator - Quantity Per Pack	1
Numerator - Packs per outer box	6
Material number (12NC)	929001971971

LED Designer Deco

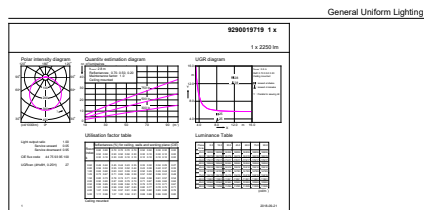
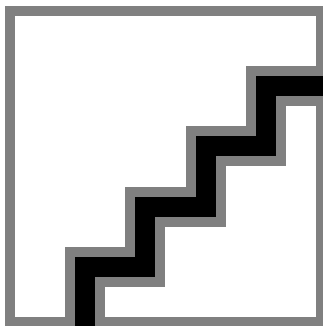
Net weight	0.253 kg
Full product name	UFO LEDBulb 24W E27 6500K 230V 1CT/6
EAN/UPC - Case	8718699755416

Dimensional drawing



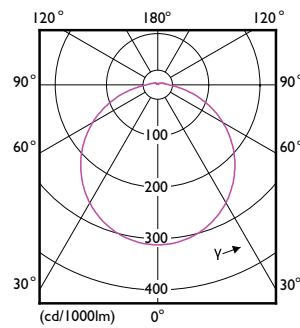
Product	D	C
UFO LEDBulb 24W E27 6500K 230V 1CT/6	200 mm	82 mm

Photometric data



CalcULX Photometrica 4.5 Philips Lighting B.V. Page 1/1

Spectral Power Distribution Colour - UFO LEDBulb 24W E27 6500K 230V 1CT/6



Light Distribution Diagram - UFO LEDBulb 24W E27 6500K 230V 1CT/6

Lifetime



Life Expectancy Diagram - UFO LEDBulb 24W E27 6500K 230V 1CT/6

Lumen Maintenance Diagram - UFO LEDBulb 24W E27 6500K 230V 1CT/6

