



# MASTER VALUE LEDsp ot LV

## MASTER LED 8-50W+ 827 MR16 36D Dim

Philips MASTER VALUE MR16 is the series of Low Voltage (12VAC) Halogen MR16 replacements. Not only does it employ Philips' patented solution to guarantee the broadest possible compatibility with standard 12V Halogen electronic transformers. It also delivers beam intensity which is equivalent to the 50W Philips Halogen MR16 lamps. The form-factor of Philips MASTER Value LED MR16 guarantees a 100% form on the back-side of the lamp (exact form with Halogen lamps.)

### Product data

General Information	
Cap-Base	GU5.3 [ GU5.3]
Nominal Lifetime (Nom)	40000 h
Switching Cycle	50000X
Technical Type	8-50W
Light Technical	
Color Code	827 [ CCT of 2700K]
Beam Angle (Nom)	36 °
Light Distribution	Medium beam 36°
Luminous Flux (Nom)	635 lm
Luminous Flux (Rated) (Nom)	635 lm
Luminous Intensity (Nom)	1650 cd
Color Designation	Warm White (WW)
Rated Beam Angle	36 °
Correlated Color Temperature (Nom)	2700 K
Luminous Efficacy (Rated) (Nom)	78 lm/W
Color Consistency	<6
Color Rendering Index (Nom)	80

LLMF At End Of Nominal Lifetime (Nom)	70 %
Luminous Flux in 90° Cone (Rated)	621 lm
Operating and Electrical	
Input Frequency	50 to 60 Hz
Power (Rated) (Nom)	8 W
Lamp Current (Nom)	900 mA
Wattage Equivalent	50 W
Starting Time (Nom)	0.5 s
Warm Up Time to 60% Light (Nom)	instant full light
Power Factor (Nom)	0.7
Voltage (Nom)	12 V
Temperature	
T-Case Maximum (Nom)	105 °C
Controls and Dimming	
Dimmable	Yes

# MASTER VALUE LEDspot LV

## Approval and Application

Suitable For Accent Lighting	Yes
Energy Efficiency Label (EEL)	A+
Energy Consumption kWh/1000 h	9 kWh

## Product Data

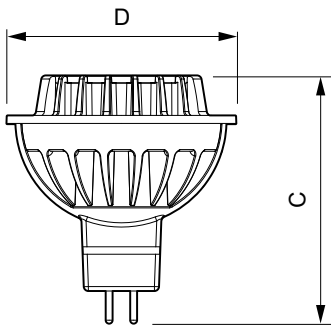
Full product code	871869649007500
Order product name	MASTER LED 8-50W+ 827 MR16 36D Dim

EAN/UPC - Product	8718696490075
Order code	929001150108
Numerator - Quantity Per Pack	1
Numerator - Packs per outer box	10
Material Nr. (12NC)	929001150108
Net Weight (Piece)	0.045 kg

## Warnings and Safety

- Operating temperature range is between -20° C and 45° C ambient
- Only to apply in dry or damp locations and most of open fixtures with lamp-holders that offer sufficient space (10 mm free air space)
- Not intended for use with emergency light fixtures or exit lights

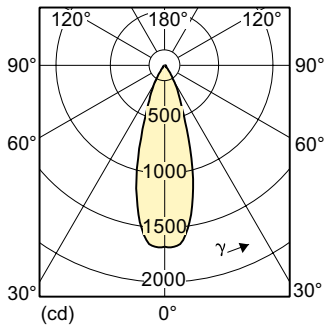
## Dimensional drawing



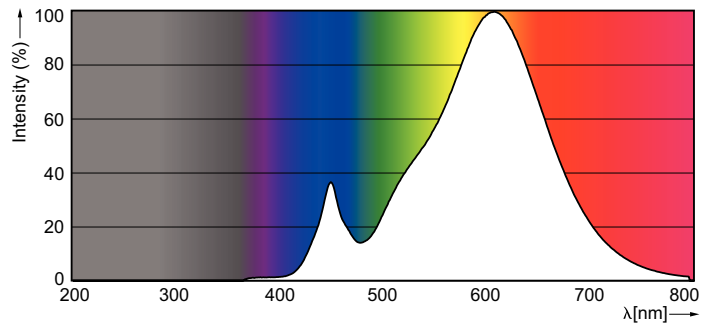
LED D 8-50W 827 MR16 36D

Product	D	C
MASTER LED 8-50W+ 827 MR16 36D Dim	51 mm	55 mm

## Photometric data



8-50 W GU5.3 /827 MR16 36D



8-50 W GU5.3 /827 MR16

# MASTER VALUE LEDspot LV

