

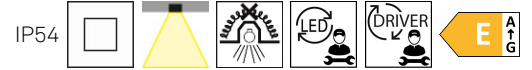


Jet Ø120mm

TC-0002-BLA

Downlight IP54 Jet Ø120mm LED 10.1 Blanco cálido - 3000K ON-OFF Blanco 1020.00

CARACTERÍSTICAS TÉCNICAS



Potencia total luminaria : 10.1W

Voltaje / Frecuencia : 100-240V/50-60Hz

Lúmenes reales : 703

Protocolo de regulación : ON-OFF

Lúmenes nominales : 1020

Power Factor : 0.90

Lm / W reales : 70

Vida útil : 36.000h L70B30

Temperatura de color correlacionada (CCT) : Blanco cálido - 3000K

Garantía : 5 Años

Ángulo Ópticas / Reflector : FLOOD 93°

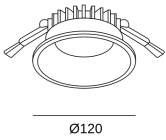
Material de la estructura : Aluminio

Acabado estructura : Blanco

Material del difusor : Poliestireno

Acabado difusor : Blanco opal

53



Ø120



105



0-25

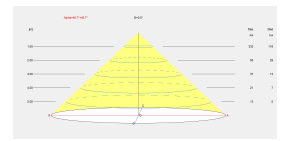
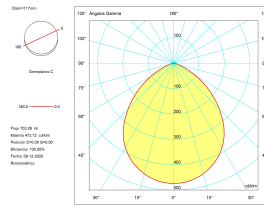
CARACTERÍSTICAS LUMINOTÉCNICAS

CRI: 80

MacAdam steps: 5

Riesgo fotobiológico: RG0

Portalámparas	Cantidad	Potencia fuente de luz (W)
LED	1	8.5W



LOGÍSTICA

Peso neto (Kg): 0.3

Peso embalado (Kg): 0.37

Embalaje: 130mm x 130mm x 63mm

40 Un





Luminaire

Code TC-0002-BLA
Name JET

Measurement

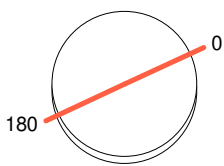
Code TC-0002-BLA
Name JET

Luminaire Flux	703.26 lm	Luminaire Power	10.10 W	Efficacy	69.63 lm/W	Efficiency	100.00%
Sources Flux	703.26 lm	Maximum value	473.72 cd/klm	Position	C=0.00 G=0.00	CG	Rotosymmetrical
Round Luminaire		Diam.	117 mm	Height	52 mm		
Round Luminous Area		Diam.	66 mm	Height	0 mm		
Horizontal Luminous Area		0.003421 m2		Emitting area on Plane 180°		0.000000 m2	
Emitting area on Plane 0°		0.000000 m2		Emitting area on Plane 270°		0.000000 m2	
Emitting area on Plane 90°		0.000000 m2		Glare area at 76°		0.000828 m2	
Coordinate system		CG		Symmetry Type		Rotosymmetrical	
Date		09-12-2020		Maximum Gamma Angle		90	
Measurement Distance		0.00		Measurement Flux		703.26 lm	
Operator		qualitat		Rated Voltage			
Temperature		25.00 °C		Rated Current			
Humidity		60.00 %		Photocell			
Notes							

Luminaire Sources

Line	Code	Name	Flux [lm]	Pow. [W]	Q.ty
	TC-0002-BLA	TC-0002-BLA	703.26	10.10	1
C.I.E.	61 91 99 100 100	D DIN 5040	A50		
F UTE	1.00 C	B NBN	BZ 3		

Diam=117mm



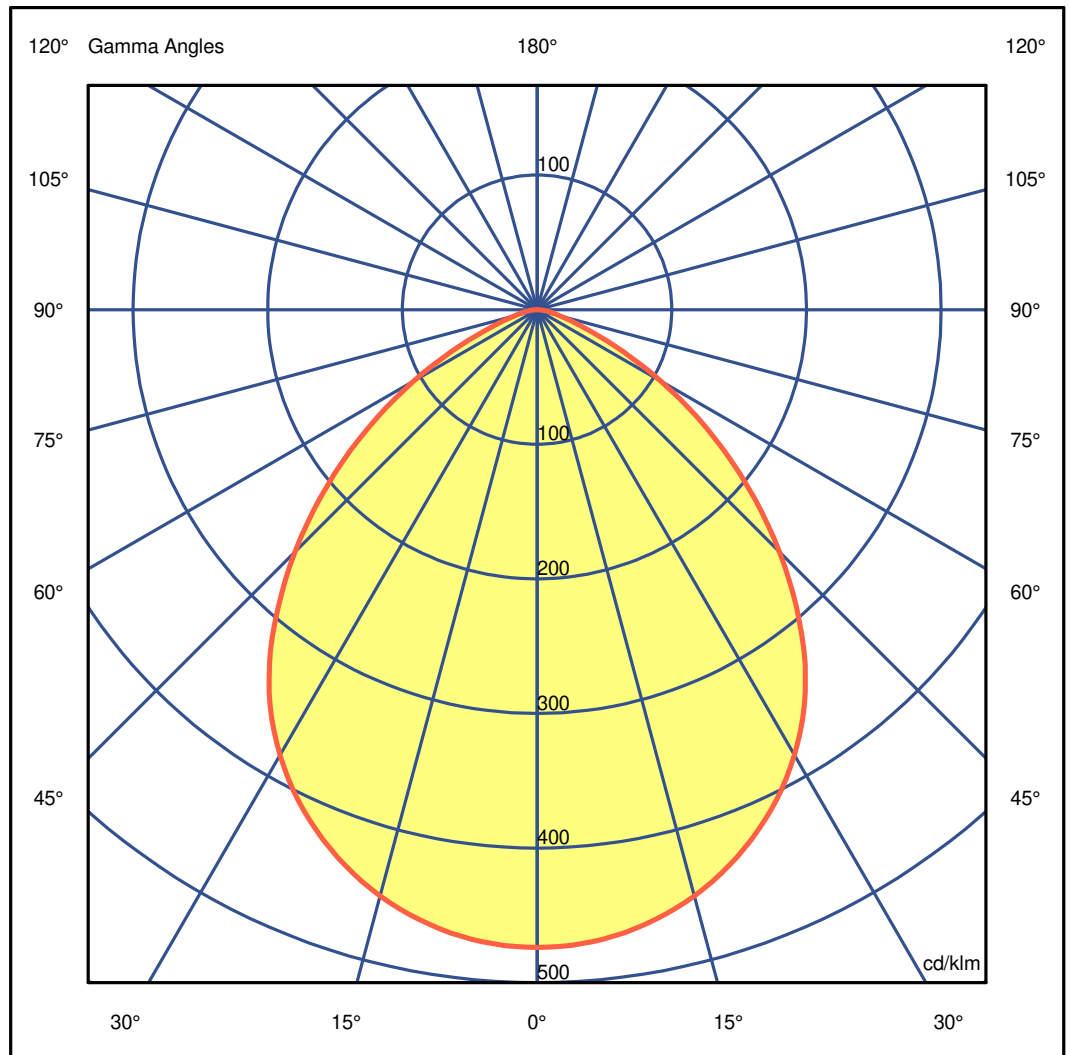
C Halfplanes

180.0 — 0.0

ULOR 0.00 %

DLOR100.00 %

RN 0.00 %





Luminaire

Code TC-0002-BLA
Name JET

Measur.

Code TC-0002-BLA
Name JET

Luminaire Flux	703.26 lm	Luminaire Power	10.10 W	Efficacy	69.63 lm/W	Efficiency	100.00%
Sources Flux	703.26 lm	Maximum value	473.72 cd/klm	Position	C=0.00 G=0.00	CG	Rotosymmetrical

Luminous Intensity Table cd/klm Table 1/1

	C 0.00	C 0.00
G 0.0	473.72	G 46.0 244.22
G 1.0	473.59	G 47.0 234.16
G 2.0	473.28	G 48.0 223.99
G 3.0	472.91	G 49.0 213.88
G 4.0	472.08	G 50.0 203.66
G 5.0	471.19	G 51.0 193.60
G 6.0	470.05	G 52.0 183.49
G 7.0	468.69	G 53.0 173.57
G 8.0	467.23	G 54.0 163.52
G 9.0	465.53	G 55.0 153.71
G 10.0	463.51	G 56.0 143.88
G 11.0	461.39	G 57.0 134.17
G 12.0	459.11	G 58.0 124.64
G 13.0	456.51	G 59.0 115.17
G 14.0	453.77	G 60.0 105.91
G 15.0	450.88	G 61.0 96.73
G 16.0	447.58	G 62.0 87.98
G 17.0	444.31	G 63.0 79.32
G 18.0	440.70	G 64.0 71.19
G 19.0	436.90	G 65.0 63.51
G 20.0	432.96	G 66.0 56.26
G 21.0	428.76	G 67.0 49.57
G 22.0	424.48	G 68.0 43.54
G 23.0	419.86	G 69.0 38.11
G 24.0	415.19	G 70.0 33.35
G 25.0	410.26	G 71.0 29.26
G 26.0	405.12	G 72.0 25.67
G 27.0	399.68	G 73.0 22.68
G 28.0	393.97	G 74.0 20.21
G 29.0	388.10	G 75.0 18.05
G 30.0	381.90	G 76.0 16.22
G 31.0	375.52	G 77.0 14.60
G 32.0	368.80	G 78.0 13.09
G 33.0	361.91	G 79.0 11.67
G 34.0	354.55	G 80.0 10.39
G 35.0	346.91	G 81.0 9.21
G 36.0	338.83	G 82.0 8.15
G 37.0	330.55	G 83.0 7.07
G 38.0	321.65	G 84.0 6.01
G 39.0	312.50	G 85.0 4.95
G 40.0	303.12	G 86.0 3.95
G 41.0	293.46	G 87.0 3.07
G 42.0	283.80	G 88.0 2.34
G 43.0	274.05	G 89.0 1.66
G 44.0	264.29	G 90.0 1.11
G 45.0	254.19	



Luminaire

Code TC-0002-BLA

Name JET

Measur.

Code TC-0002-BLA

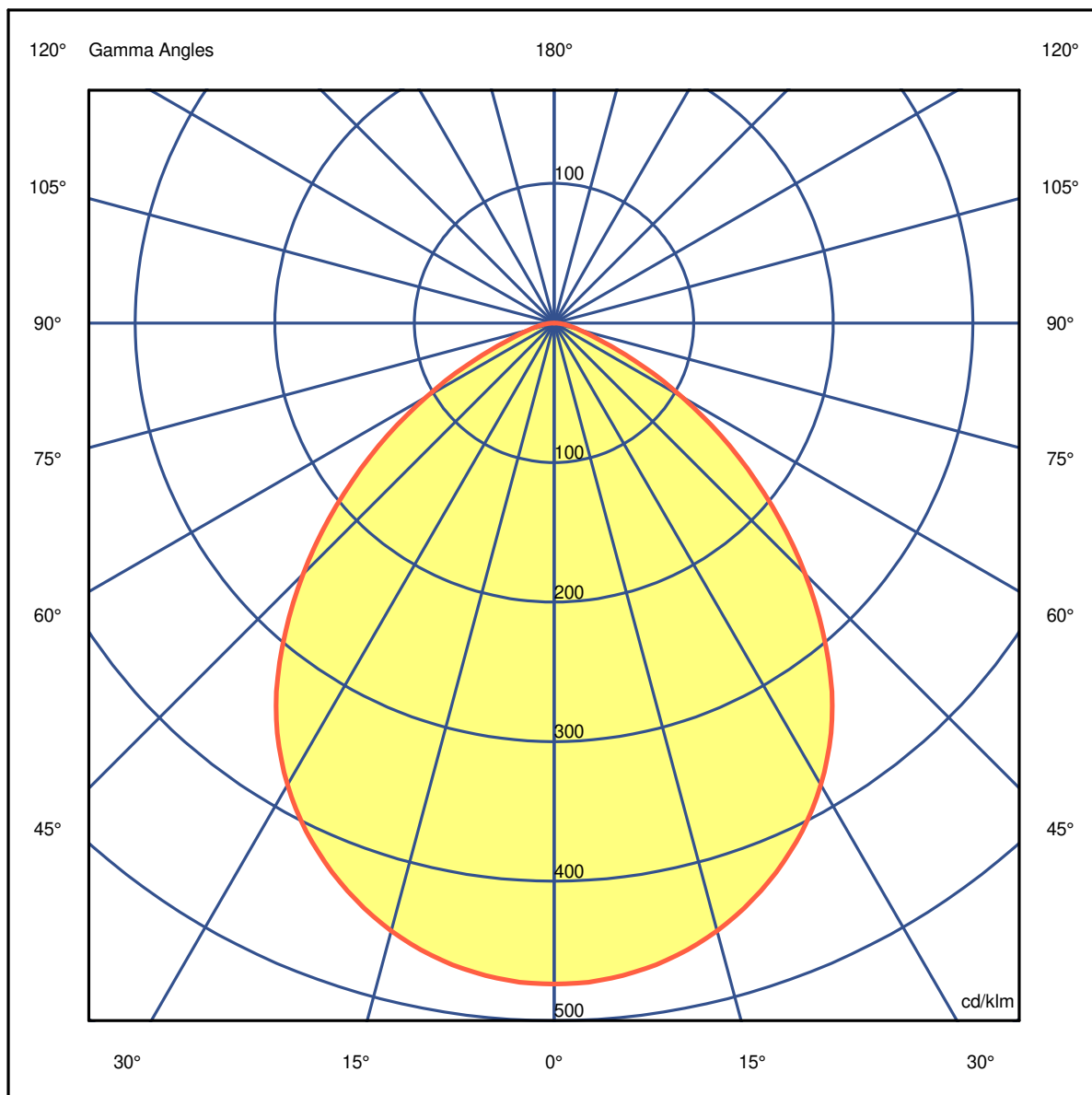
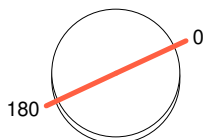
Name JET

Luminaire Flux	703.26 lm	Luminaire Power	10.10 W	Efficacy	69.63 lm/W	Efficiency	100.00%
Sources Flux	703.26 lm	Maximum value	473.72 cd/klm	Position	C=0.00 G=0.00	CG	Rotosymmetrical

Diam=117mm

C Halfplanes

180.0  0.0





Luminaire

Code TC-0002-BLA

Name JET

Measurem.

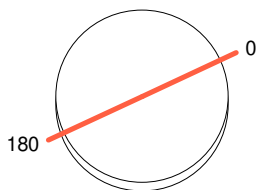
Code TC-0002-BLA

Name JET

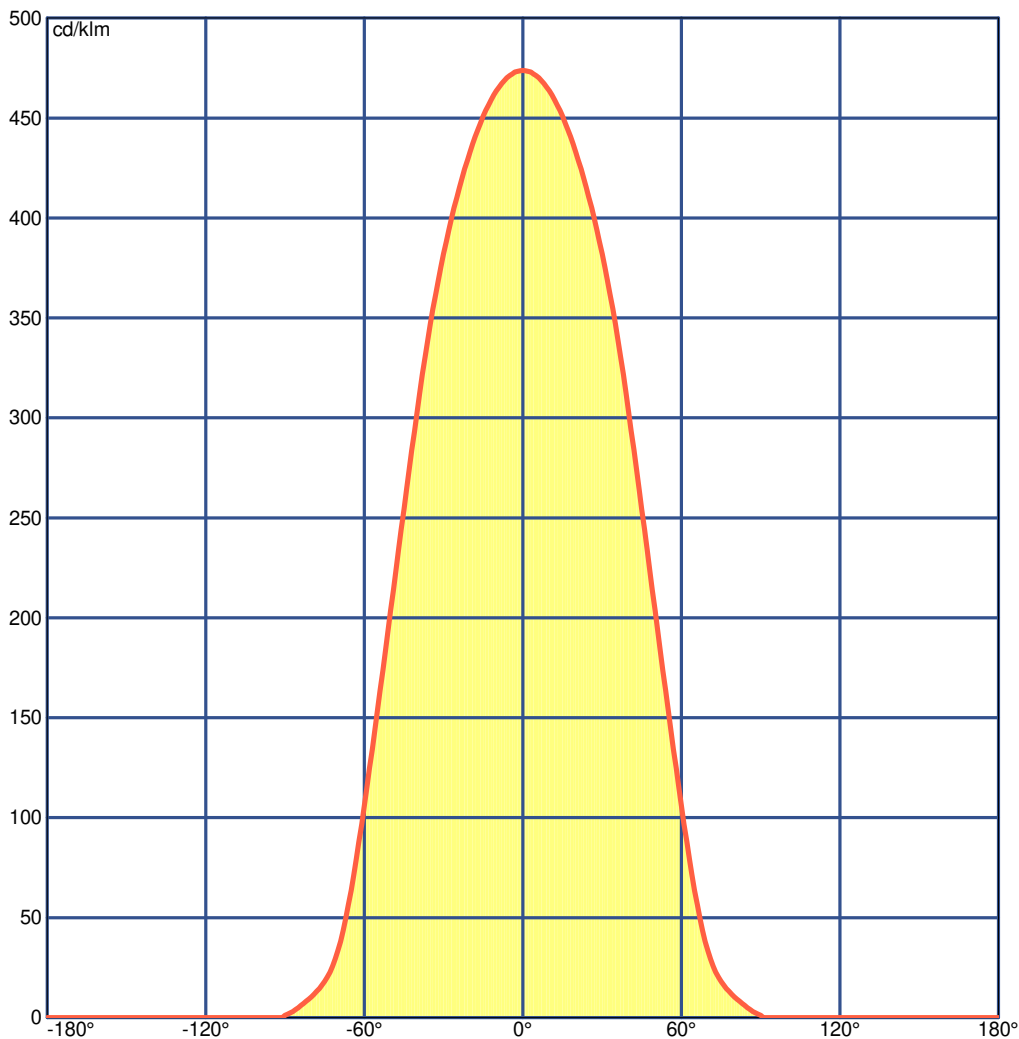
Luminaire Flux	703.26 lm	Luminaire Power	10.10 W	Efficacy	69.63 lm/W	Efficiency	100.00%
Sources Flux	703.26 lm	Maximum value	473.72 cd/klm	Position	C=0.00 G=0.00	CG	Rotosymmetrical

Diam=117mm

C Halfplanes



180.0 ————— 0.0





Luminaire

Code TC-0002-BLA
Name JET

Measur.

Code TC-0002-BLA
Name JET

Luminaire Flux	703.26 lm	Luminaire Power	10.10 W	Efficacy	69.63 lm/W	Efficiency	100.00%
Sources Flux	703.26 lm	Maximum value	473.72 cd/klm	Position	C=0.00 G=0.00	CG	Rotosymmetrical

UGR
S = 0.250

Reflectancies										
Ceiling/Cavity	0.7	0.7	0.5	0.5	0.3	0.7	0.7	0.5	0.5	0.3
Walls	0.5	0.3	0.5	0.3	0.3	0.5	0.3	0.5	0.3	0.3
Working Plane	0.2	0.2	0.2	0.2	0.2	0.2	0.2	0.2	0.2	0.2
Room Dimensions	Lateral View					Viewed Endwise				
x=2H y=2H	26.1	27.2	26.4	27.4	27.6	26.1	27.2	26.4	27.4	27.6
x=2H y=3H	26.4	27.4	26.7	27.7	27.9	26.4	27.4	26.7	27.7	27.9
x=2H y=4H	26.5	27.4	26.8	27.7	28.0	26.5	27.4	26.8	27.7	28.0
x=2H y=6H	26.5	27.4	26.8	27.6	27.9	26.5	27.4	26.8	27.6	27.9
x=2H y=8H	26.5	27.3	26.8	27.6	27.9	26.5	27.3	26.8	27.6	27.9
x=2H y=12H	26.5	27.3	26.8	27.6	27.9	26.5	27.3	26.8	27.6	27.9
x=4H y=2H	26.3	27.3	26.7	27.6	27.8	26.3	27.3	26.7	27.6	27.8
x=4H y=3H	26.8	27.5	27.1	27.9	28.2	26.8	27.5	27.1	27.9	28.2
x=4H y=4H	26.8	27.5	27.2	27.9	28.2	26.8	27.5	27.2	27.9	28.2
x=4H y=6H	26.9	27.5	27.3	27.9	28.3	26.9	27.5	27.3	27.9	28.3
x=4H y=8H	26.9	27.5	27.3	27.9	28.3	26.9	27.5	27.3	27.9	28.3
x=4H y=12H	26.9	27.4	27.4	27.8	28.3	26.9	27.4	27.4	27.8	28.3
x=8H y=4H	26.8	27.4	27.3	27.8	28.2	26.8	27.4	27.3	27.8	28.2
x=8H y=6H	26.9	27.4	27.4	27.8	28.3	26.9	27.4	27.4	27.8	28.3
x=8H y=8H	27.0	27.4	27.5	27.8	28.3	27.0	27.4	27.5	27.8	28.3
x=8H y=12H	27.0	27.3	27.5	27.8	28.3	27.0	27.3	27.5	27.8	28.3
x=12H y=4H	26.8	27.3	27.3	27.7	28.1	26.8	27.3	27.3	27.7	28.1
x=12H y=6H	26.9	27.3	27.4	27.8	28.2	26.9	27.3	27.4	27.8	28.2
x=12H y=8H	27.0	27.3	27.5	27.8	28.3	27.0	27.3	27.5	27.8	28.3



Luminaire

Code TC-0002-BLA
Name JET

Measurement

Code TC-0002-BLA
Name JET

Luminaire Flux	703.26 lm	Luminaire Power	10.10 W	Efficacy	69.63 lm/W	Efficiency	100.00%
Sources Flux	703.26 lm	Maximum value	473.72 cd/klm	Position	C=0.00 G=0.00	CG	Rotosymmetrical

Total Flux=703.26 Luminaire Flux=703.26

RI	0.60	0.80	1.00	1.25	1.50	2.00	2.50	3.00	4.00	5.00	10.00	20.00
DRR	0.40	0.49	0.57	0.64	0.69	0.77	0.82	0.85	0.88	0.91	0.95	0.97
RC	3	3	3	3	3	3	3	2	2	2	3	3

Zonal Flux per 1000 Lumen

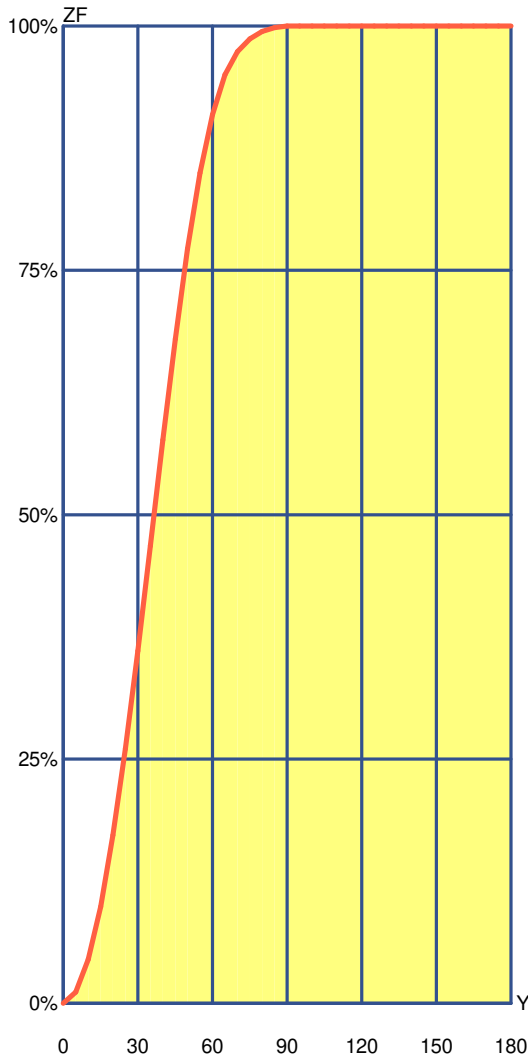
Y°	10	20	30	40	50	60	70	80	90	100	110	120	130	140	150	160	170	180
ZF(Y)	45	172	361	576	772	909	974	994	1000	1000	1000	1000	1000	1000	1000	1000	1000	1000

CIE Flux Codes

61 91 99 100 100

C.I.E.	3/3/3/3/3/3/2/2/3/3
D DIN 5040	A50
F UTE	1.00 C
B NBN	BZ 3
RN	0.00000 %
BLF	1.0

LOR	100.00000 %
ULOR	0.00000 %
DLOR	100.00000 %
UFF	0.00000 %
DFF	100.00000 %
FFR	0.00000 %



Gamma °	Zonal Flux			
	Flux	Sum lm	Flux [%]	Sum [%]
0°	0.00	0.00	0.00%	0.00 %
5°	11.30	11.30	1.13 %	1.13 %
10°	33.44	44.73	3.34 %	4.47 %
15°	54.24	98.98	5.42 %	9.90 %
20°	72.83	171.81	7.28 %	17.18 %
25°	88.44	260.25	8.84 %	26.02 %
30°	100.28	360.53	10.03 %	36.05 %
35°	107.40	467.92	10.74 %	46.79 %
40°	108.55	576.47	10.86 %	57.65 %
45°	103.13	679.60	10.31 %	67.96 %
50°	92.43	772.03	9.24 %	77.20 %
55°	77.54	849.57	7.75 %	84.96 %
60°	59.79	909.35	5.98 %	90.94 %
65°	40.76	950.11	4.08 %	95.01 %
70°	23.85	973.96	2.38 %	97.40 %
75°	12.90	986.86	1.29 %	98.69 %
80°	7.47	994.32	0.75 %	99.43 %
85°	4.14	998.46	0.41 %	99.85 %
90°	1.54	1000.00	0.15 %	100.00 %
95°	0.00	1000.00	0.00 %	100.00 %
100°	0.00	1000.00	0.00 %	100.00 %
105°	0.00	1000.00	0.00 %	100.00 %
110°	0.00	1000.00	0.00 %	100.00 %
115°	0.00	1000.00	0.00 %	100.00 %
120°	0.00	1000.00	0.00 %	100.00 %
125°	0.00	1000.00	0.00 %	100.00 %
130°	0.00	1000.00	0.00 %	100.00 %
135°	0.00	1000.00	0.00 %	100.00 %
140°	0.00	1000.00	0.00 %	100.00 %
145°	0.00	1000.00	0.00 %	100.00 %
150°	0.00	1000.00	0.00 %	100.00 %
155°	0.00	1000.00	0.00 %	100.00 %
160°	0.00	1000.00	0.00 %	100.00 %
165°	0.00	1000.00	0.00 %	100.00 %
170°	0.00	1000.00	0.00 %	100.00 %
175°	0.00	1000.00	0.00 %	100.00 %
180°	0.00	1000.00	0.00 %	100.00 %



Luminaire

Code TC-0002-BLA
Name JET

Measurem.

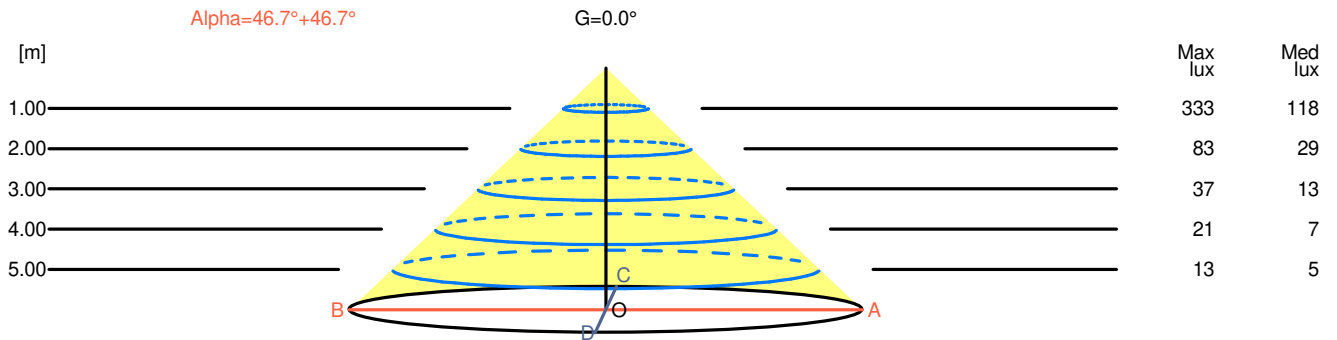
Code TC-0002-BLA
Name JET

Luminaire Flux	703.26 lm	Luminaire Power	10.10 W	Efficacy	69.63 lm/W	Efficiency	100.00%
Sources Flux	703.26 lm	Maximum value	473.72 cd/klm	Position	C=0.00 G=0.00	CG	Rotosymmetrical

Width at 50.00 % of Max Intensity

H[m]	1.00	2.00	3.00	4.00	5.00	H[m]	1.00	2.00	3.00	4.00	5.00
OA	1.06	2.12	3.19	4.25	5.31	OC	1.06	2.12	3.19	4.25	5.31
OB	1.06	2.12	3.19	4.25	5.31	OD	1.06	2.12	3.19	4.25	5.31

	Luminous Intensities [cd/klm]									
	0	5	15	25	35	45	55	65	75	85
OA	333.15	331.37	317.09	288.52	243.97	178.76	108.10	44.66	12.70	3.48
OB	333.15	331.37	317.09	288.52	243.97	178.76	108.10	44.66	12.70	3.48
OC	333.15	331.37	317.09	288.52	243.97	178.76	108.10	44.66	12.70	3.48
OD	333.15	331.37	317.09	288.52	243.97	178.76	108.10	44.66	12.70	3.48



H[m]	D[m]	Max lux	Med lux	Alpha=46.7°+46.7°	G=0.0	
1.00	2.12	333	118			
2.00	4.25	83	29			
3.00	6.37	37	13			
4.00	8.50	21	7			
5.00	10.62	13	5			



Luminaire

Code TC-0002-BLA

Name JET

Measurem.

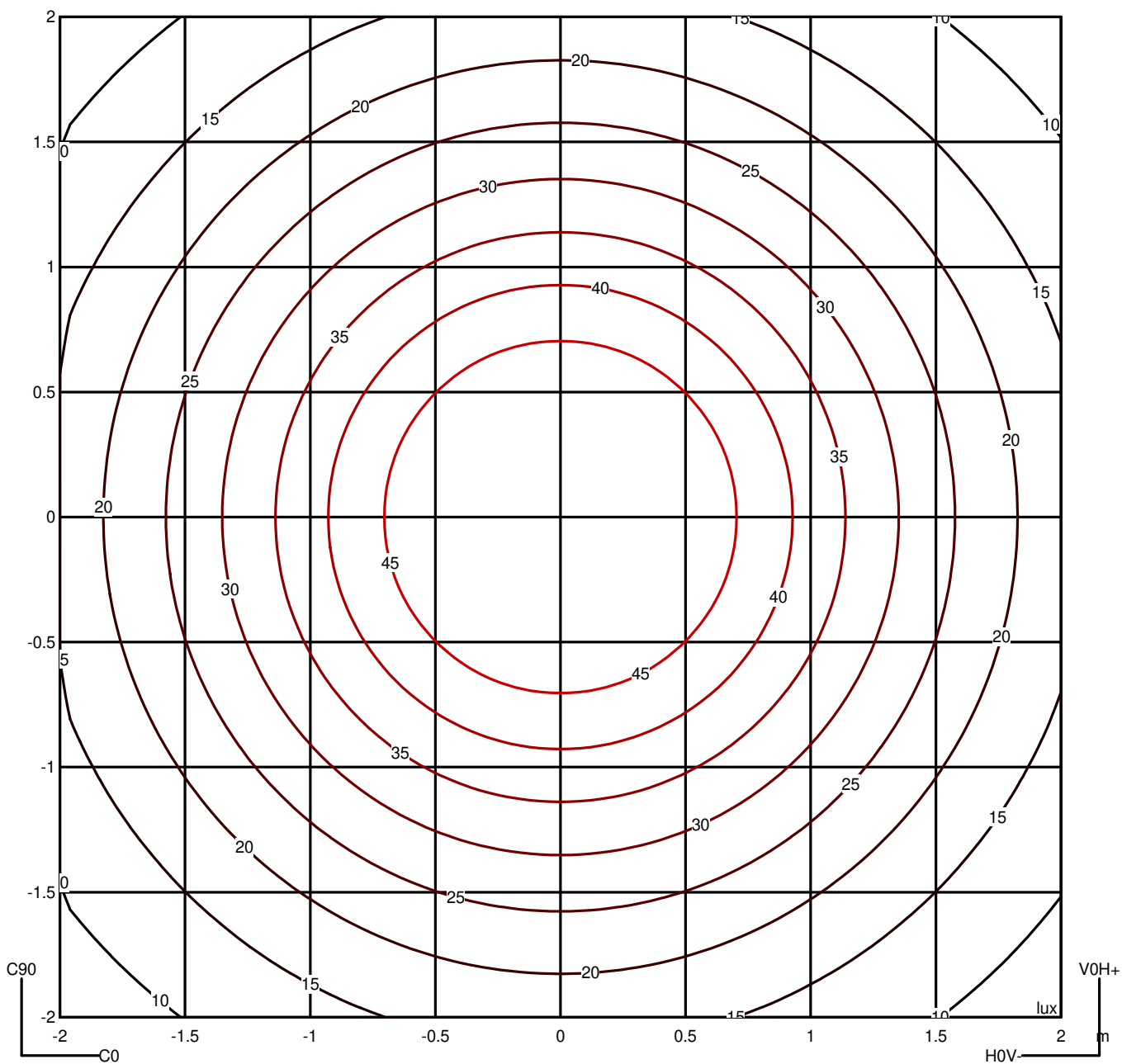
Code TC-0002-BLA

Name JET

Luminaire Flux	703.26 lm	Luminaire Power	10.10 W	Efficacy	69.63 lm/W	Efficiency	100.00%
Sources Flux	703.26 lm	Maximum value	473.72 cd/klm	Position	C=0.00 G=0.00	CG	Rotosymmetrical

Isolux (Floor)

Luminaire position X=0.00m Y=0.00m Z=2.50m





Luminaire

Code TC-0002-BLA

Name JET

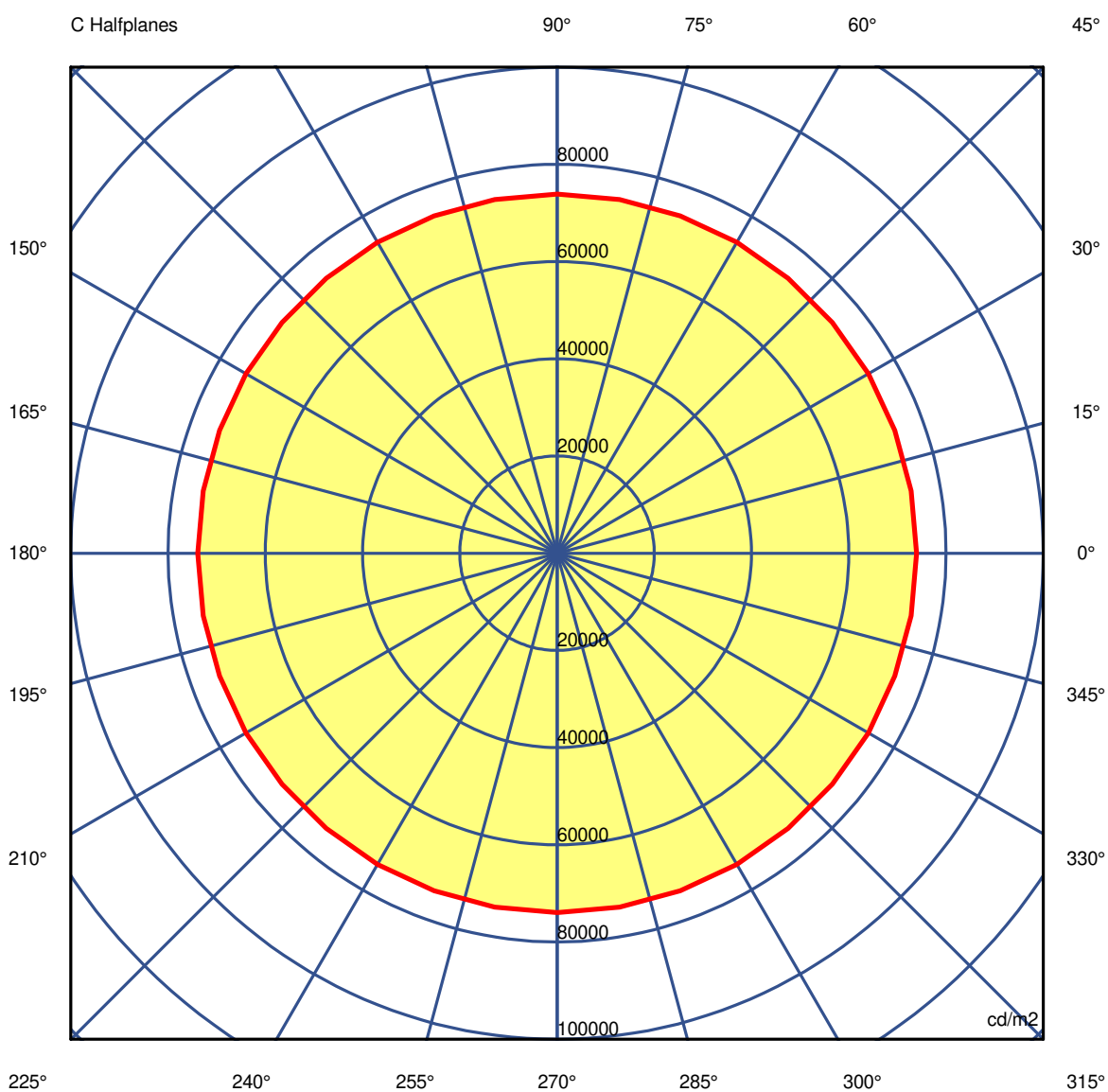
Measurem.

Code TC-0002-BLA

Name JET

Luminaire Flux	703.26 lm	Luminaire Power	10.10 W	Efficacy	69.63 lm/W	Efficiency	100.00%
Sources Flux	703.26 lm	Maximum value	473.72 cd/klm	Position	C=0.00 G=0.00	CG	Rotosymmetrical

Luminance



45.0° ———



Luminaire

Code TC-0002-BLA
Name JET

Measurement

Code TC-0002-BLA
Name JET

Luminaire Flux	703.26 lm	Luminaire Power	10.10 W	Efficacy	69.63 lm/W	Efficiency	100.00%
Sources Flux	703.26 lm	Maximum value	473.72 cd/klm	Position	C=0.00 G=0.00	CG	Rotosymmetrical

Luminance cd/m2 Table 1/3

	C 0.00	C 10.00	C 20.00	C 30.00	C 40.00	C 50.00	C 60.00	C 70.00	C 80.00	C 90.00	C 100.00	C 110.00	C 120.00
G 0.0	97377.07	97377.07	97377.07	97377.07	97377.07	97377.07	97377.07	97377.07	97377.07	97377.07	97377.07	97377.07	97377.07
G 5.0	97227.24	97227.24	97227.24	97227.24	97227.24	97227.24	97227.24	97227.24	97227.24	97227.24	97227.24	97227.24	97227.24
G 10.0	96747.88	96747.88	96747.88	96747.88	96747.88	96747.88	96747.88	96747.88	96747.88	96747.88	96747.88	96747.88	96747.88
G 15.0	95952.40	95952.40	95952.40	95952.40	95952.40	95952.40	95952.40	95952.40	95952.40	95952.40	95952.40	95952.40	95952.40
G 20.0	94710.84	94710.84	94710.84	94710.84	94710.84	94710.84	94710.84	94710.84	94710.84	94710.84	94710.84	94710.84	94710.84
G 25.0	93050.68	93050.68	93050.68	93050.68	93050.68	93050.68	93050.68	93050.68	93050.68	93050.68	93050.68	93050.68	93050.68
G 30.0	90646.79	90646.79	90646.79	90646.79	90646.79	90646.79	90646.79	90646.79	90646.79	90646.79	90646.79	90646.79	90646.79
G 35.0	87054.54	87054.54	87054.54	87054.54	87054.54	87054.54	87054.54	87054.54	87054.54	87054.54	87054.54	87054.54	87054.54
G 40.0	81340.33	81340.33	81340.33	81340.33	81340.33	81340.33	81340.33	81340.33	81340.33	81340.33	81340.33	81340.33	81340.33
G 45.0	73894.29	73894.29	73894.29	73894.29	73894.29	73894.29	73894.29	73894.29	73894.29	73894.29	73894.29	73894.29	73894.29
G 50.0	65129.13	65129.13	65129.13	65129.13	65129.13	65129.13	65129.13	65129.13	65129.13	65129.13	65129.13	65129.13	65129.13
G 55.0	55087.60	55087.60	55087.60	55087.60	55087.60	55087.60	55087.60	55087.60	55087.60	55087.60	55087.60	55087.60	55087.60
G 60.0	43540.02	43540.02	43540.02	43540.02	43540.02	43540.02	43540.02	43540.02	43540.02	43540.02	43540.02	43540.02	43540.02
G 65.0	30888.66	30888.66	30888.66	30888.66	30888.66	30888.66	30888.66	30888.66	30888.66	30888.66	30888.66	30888.66	30888.66
G 70.0	20041.32	20041.32	20041.32	20041.32	20041.32	20041.32	20041.32	20041.32	20041.32	20041.32	20041.32	20041.32	20041.32
G 75.0	14337.68	14337.68	14337.68	14337.68	14337.68	14337.68	14337.68	14337.68	14337.68	14337.68	14337.68	14337.68	14337.68
G 80.0	12293.83	12293.83	12293.83	12293.83	12293.83	12293.83	12293.83	12293.83	12293.83	12293.83	12293.83	12293.83	12293.83
G 85.0	11673.40	11673.40	11673.40	11673.40	11673.40	11673.40	11673.40	11673.40	11673.40	11673.40	11673.40	11673.40	11673.40
G 90.0	0.00	0.00	0.00	0.00	0.00	0.00	0.00	0.00	0.00	0.00	0.00	0.00	0.00



Luminaire

Code TC-0002-BLA

Name JET

Measurement

Code TC-0002-BLA

Name JET

Luminaire Flux	703.26 lm	Luminaire Power	10.10 W	Efficacy	69.63 lm/W	Efficiency	100.00%
Sources Flux	703.26 lm	Maximum value	473.72 cd/klm	Position	C=0.00 G=0.00	CG	Rotosymmetrical

Luminance cd/m2 Table 2/3

	C 130.00	C 140.00	C 150.00	C 160.00	C 170.00	C 180.00	C 190.00	C 200.00	C 210.00	C 220.00	C 230.00	C 240.00	C 250.00
G 0.0	97377.07	97377.07	97377.07	97377.07	97377.07	97377.07	97377.07	97377.07	97377.07	97377.07	97377.07	97377.07	97377.07
G 5.0	97227.24	97227.24	97227.24	97227.24	97227.24	97227.24	97227.24	97227.24	97227.24	97227.24	97227.24	97227.24	97227.24
G 10.0	96747.88	96747.88	96747.88	96747.88	96747.88	96747.88	96747.88	96747.88	96747.88	96747.88	96747.88	96747.88	96747.88
G 15.0	95952.40	95952.40	95952.40	95952.40	95952.40	95952.40	95952.40	95952.40	95952.40	95952.40	95952.40	95952.40	95952.40
G 20.0	94710.84	94710.84	94710.84	94710.84	94710.84	94710.84	94710.84	94710.84	94710.84	94710.84	94710.84	94710.84	94710.84
G 25.0	93050.68	93050.68	93050.68	93050.68	93050.68	93050.68	93050.68	93050.68	93050.68	93050.68	93050.68	93050.68	93050.68
G 30.0	90646.79	90646.79	90646.79	90646.79	90646.79	90646.79	90646.79	90646.79	90646.79	90646.79	90646.79	90646.79	90646.79
G 35.0	87054.54	87054.54	87054.54	87054.54	87054.54	87054.54	87054.54	87054.54	87054.54	87054.54	87054.54	87054.54	87054.54
G 40.0	81340.33	81340.33	81340.33	81340.33	81340.33	81340.33	81340.33	81340.33	81340.33	81340.33	81340.33	81340.33	81340.33
G 45.0	73894.29	73894.29	73894.29	73894.29	73894.29	73894.29	73894.29	73894.29	73894.29	73894.29	73894.29	73894.29	73894.29
G 50.0	65129.13	65129.13	65129.13	65129.13	65129.13	65129.13	65129.13	65129.13	65129.13	65129.13	65129.13	65129.13	65129.13
G 55.0	55087.60	55087.60	55087.60	55087.60	55087.60	55087.60	55087.60	55087.60	55087.60	55087.60	55087.60	55087.60	55087.60
G 60.0	43540.02	43540.02	43540.02	43540.02	43540.02	43540.02	43540.02	43540.02	43540.02	43540.02	43540.02	43540.02	43540.02
G 65.0	30888.66	30888.66	30888.66	30888.66	30888.66	30888.66	30888.66	30888.66	30888.66	30888.66	30888.66	30888.66	30888.66
G 70.0	20041.32	20041.32	20041.32	20041.32	20041.32	20041.32	20041.32	20041.32	20041.32	20041.32	20041.32	20041.32	20041.32
G 75.0	14337.68	14337.68	14337.68	14337.68	14337.68	14337.68	14337.68	14337.68	14337.68	14337.68	14337.68	14337.68	14337.68
G 80.0	12293.83	12293.83	12293.83	12293.83	12293.83	12293.83	12293.83	12293.83	12293.83	12293.83	12293.83	12293.83	12293.83
G 85.0	11673.40	11673.40	11673.40	11673.40	11673.40	11673.40	11673.40	11673.40	11673.40	11673.40	11673.40	11673.40	11673.40
G 90.0	0.00	0.00	0.00	0.00	0.00	0.00	0.00	0.00	0.00	0.00	0.00	0.00	0.00



Luminaire

Code TC-0002-BLA

Name JET

Measur.

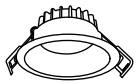
Code TC-0002-BLA

Name JET

Luminaire Flux	703.26 lm	Luminaire Power	10.10 W	Efficacy	69.63 lm/W	Efficiency	100.00%
Sources Flux	703.26 lm	Maximum value	473.72 cd/klm	Position	C=0.00 G=0.00	CG	Rotosymmetrical

Luminance cd/m2 Table 3/3

	C 260.00	C 270.00	C 280.00	C 290.00	C 300.00	C 310.00	C 320.00	C 330.00	C 340.00	C 350.00
G 0.0	97377.07	97377.07	97377.07	97377.07	97377.07	97377.07	97377.07	97377.07	97377.07	97377.07
G 5.0	97227.24	97227.24	97227.24	97227.24	97227.24	97227.24	97227.24	97227.24	97227.24	97227.24
G 10.0	96747.88	96747.88	96747.88	96747.88	96747.88	96747.88	96747.88	96747.88	96747.88	96747.88
G 15.0	95952.40	95952.40	95952.40	95952.40	95952.40	95952.40	95952.40	95952.40	95952.40	95952.40
G 20.0	94710.84	94710.84	94710.84	94710.84	94710.84	94710.84	94710.84	94710.84	94710.84	94710.84
G 25.0	93050.68	93050.68	93050.68	93050.68	93050.68	93050.68	93050.68	93050.68	93050.68	93050.68
G 30.0	90646.79	90646.79	90646.79	90646.79	90646.79	90646.79	90646.79	90646.79	90646.79	90646.79
G 35.0	87054.54	87054.54	87054.54	87054.54	87054.54	87054.54	87054.54	87054.54	87054.54	87054.54
G 40.0	81340.33	81340.33	81340.33	81340.33	81340.33	81340.33	81340.33	81340.33	81340.33	81340.33
G 45.0	73894.29	73894.29	73894.29	73894.29	73894.29	73894.29	73894.29	73894.29	73894.29	73894.29
G 50.0	65129.13	65129.13	65129.13	65129.13	65129.13	65129.13	65129.13	65129.13	65129.13	65129.13
G 55.0	55087.60	55087.60	55087.60	55087.60	55087.60	55087.60	55087.60	55087.60	55087.60	55087.60
G 60.0	43540.02	43540.02	43540.02	43540.02	43540.02	43540.02	43540.02	43540.02	43540.02	43540.02
G 65.0	30888.66	30888.66	30888.66	30888.66	30888.66	30888.66	30888.66	30888.66	30888.66	30888.66
G 70.0	20041.32	20041.32	20041.32	20041.32	20041.32	20041.32	20041.32	20041.32	20041.32	20041.32
G 75.0	14337.68	14337.68	14337.68	14337.68	14337.68	14337.68	14337.68	14337.68	14337.68	14337.68
G 80.0	12293.83	12293.83	12293.83	12293.83	12293.83	12293.83	12293.83	12293.83	12293.83	12293.83
G 85.0	11673.40	11673.40	11673.40	11673.40	11673.40	11673.40	11673.40	11673.40	11673.40	11673.40
G 90.0	0.00	0.00	0.00	0.00	0.00	0.00	0.00	0.00	0.00	0.00



Jet

TC-0000 TC-0001 TC-0002 TC-0003 TC-0004 TC-0005 TC-0006 TC-0007

FOR LIGHT



TC-0000
TC-0001



Ø75 mm

TC-0002
TC-0003



Ø105 mm

TC-0004
TC-0005

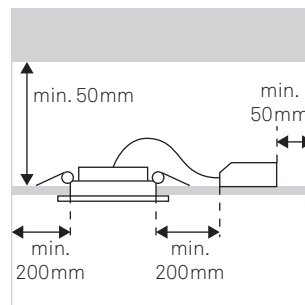


Ø150 mm

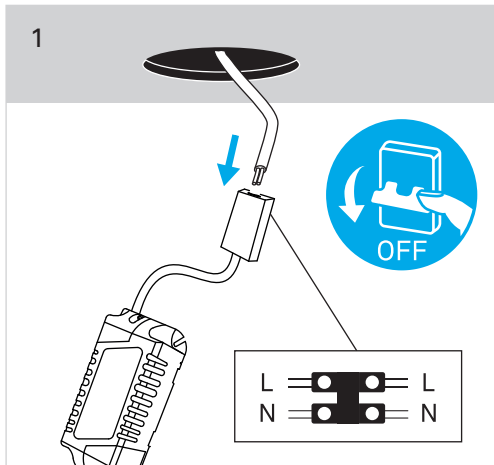
TC-0006
TC-0007



Ø205 mm



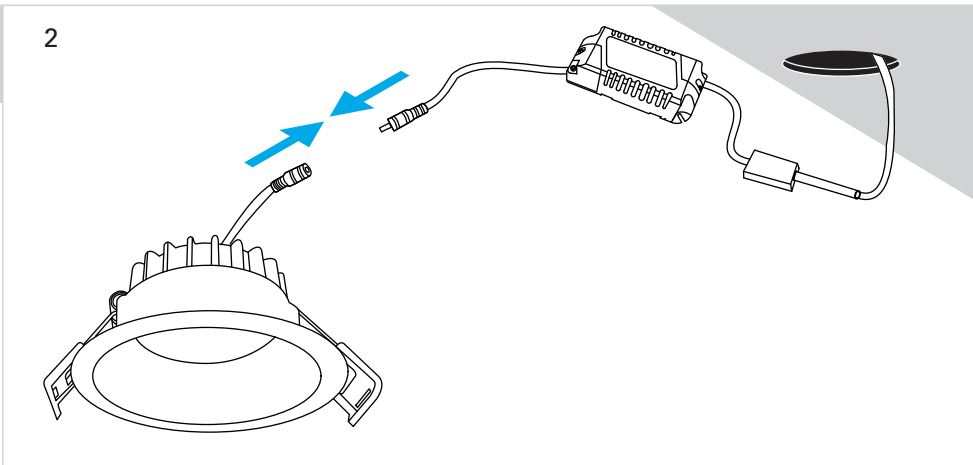
1



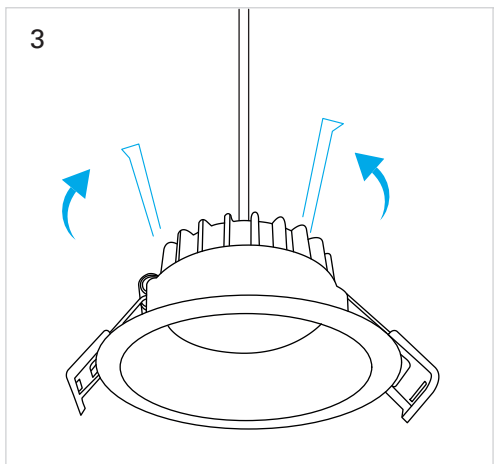
OFF

L L
N N

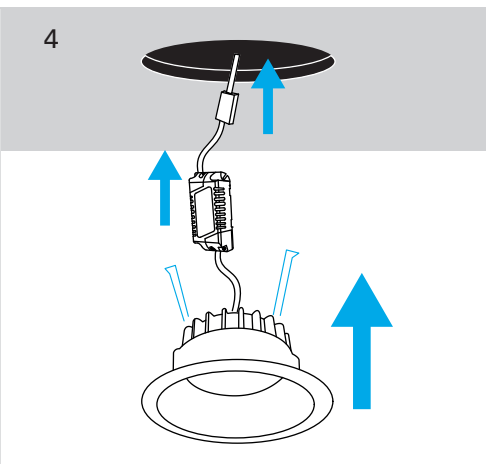
2



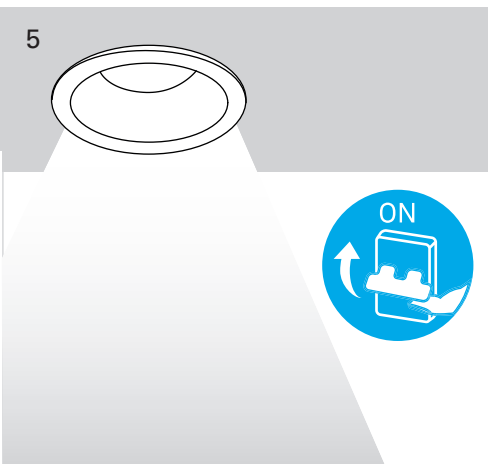
3



4



5



ON

