

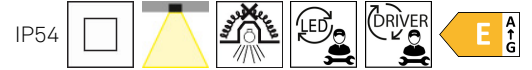


Jet Ø120mm

TC-0003-BLA

Downlight IP54 Jet Ø120mm LED 10.1 Blanco neutro - 4000K ON-OFF Blanco 1020.00

CARACTERÍSTICAS TÉCNICAS



Potencia total luminaria : 10.1W

Lúmenes reales : 732

Lúmenes nominales : 1020

Lm / W reales : 72

Temperatura de color correlacionada (CCT) : Blanco neutro - 4000K

Ángulo Ópticas / Reflector : FLOOD 93°

Material de la estructura : Aluminio

Acabado estructura : Blanco

Material del difusor : Poliestireno

Acabado difusor : Blanco opal

Voltaje / Frecuencia : 100-240V/50-60Hz

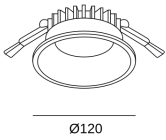
Protocolo de regulación : ON-OFF

Power Factor : 0.90

Vida útil : 36.000h L70B30

Garantía : 5 Años

53



Ø120



105



0-25

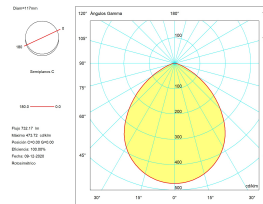
CARACTERÍSTICAS LUMINOTÉCNICAS

CRI: 80

MacAdam steps: 5

Riesgo fotobiológico: RG0

Portalámparas	Cantidad	Potencia fuente de luz (W)
LED	1	8.5W



LOGÍSTICA

Peso neto (Kg): 0.31

Peso embalado (Kg): 0.37

Embalaje: 130mm x 130mm x 63mm

40 Un





Luminaire

Code TC-0003-BLA
Name JET

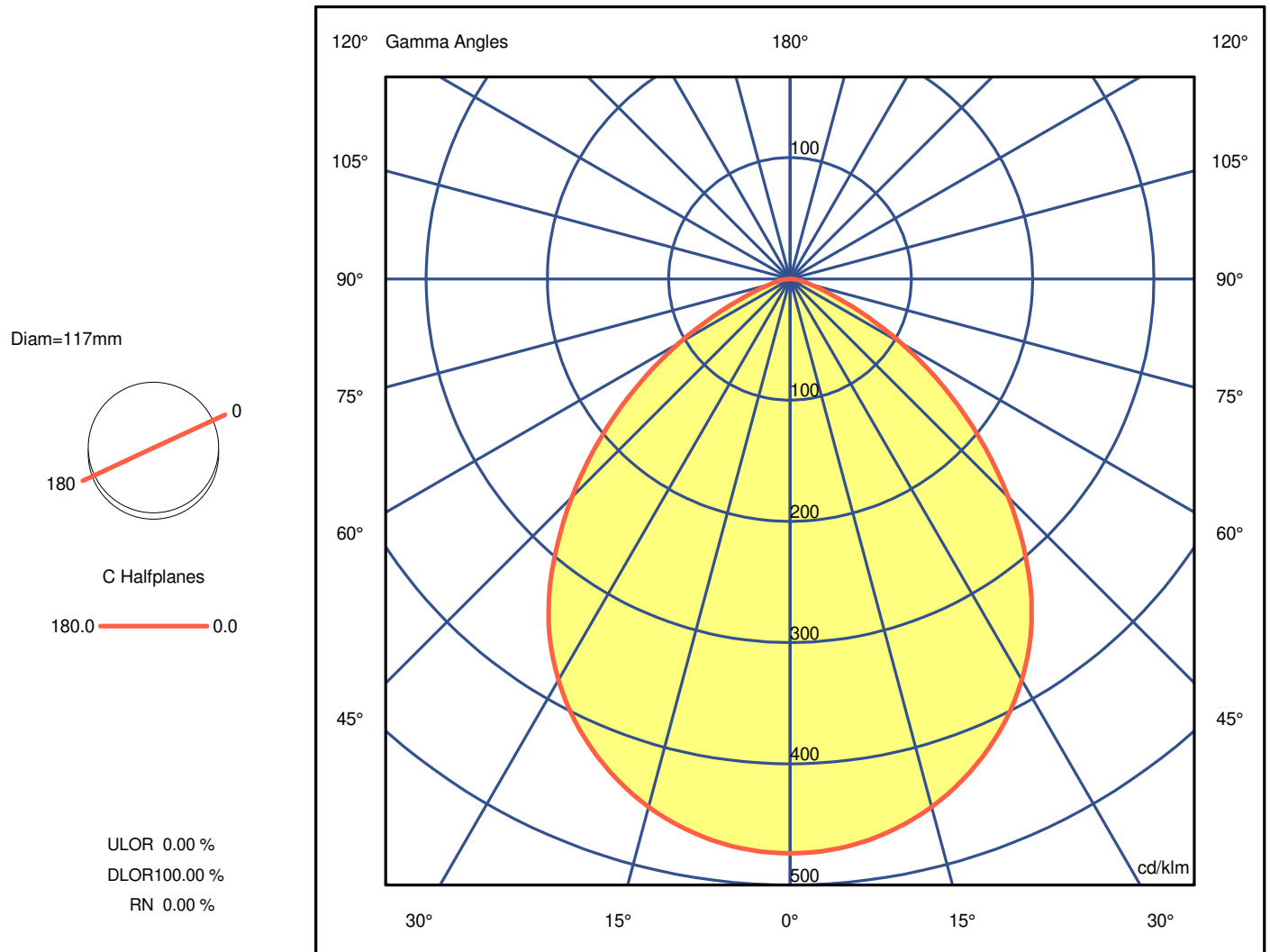
Measurement

Code TC-0003-BLA
Name JET

Luminaire Flux	732.17 lm	Luminaire Power	10.10 W	Efficacy	72.49 lm/W	Efficiency	100.00%
Sources Flux	732.17 lm	Maximum value	473.72 cd/klm	Position	C=0.00 G=0.00	CG	Rotosymmetrical
Round Luminaire		Diam.	117 mm	Height	52 mm		
Round Luminous Area		Diam.	66 mm	Height	0 mm		
Horizontal Luminous Area		0.003421 m2		Emitting area on Plane 180°		0.000000 m2	
Emitting area on Plane 0°		0.000000 m2		Emitting area on Plane 270°		0.000000 m2	
Emitting area on Plane 90°		0.000000 m2		Glare area at 76°		0.000828 m2	
Coordinate system		CG		Symmetry Type		Rotosymmetrical	
Date		09-12-2020		Maximum Gamma Angle		90	
Measurement Distance		0.00		Measurement Flux		703.26 lm	
Operator		qualitat		Rated Voltage			
Temperature		25.00 °C		Rated Current			
Humidity		60.00 %		Photocell			
Notes							

Luminaire Sources

Line	Code	Name	Flux [lm]	Pow. [W]	Q.ty
	TC-0003-BLA	TC-0002-BLA	732.17	10.10	1
C.I.E.	61 91 99 100 100	D DIN 5040	A50		
F UTE	1.00 C	B NBN	BZ 3		





Luminaire

Code TC-0003-BLA
Name JET

Measur.

Code TC-0003-BLA
Name JET

Luminaire Flux	732.17 lm	Luminaire Power	10.10 W	Efficacy	72.49 lm/W	Efficiency	100.00%
Sources Flux	732.17 lm	Maximum value	473.72 cd/klm	Position	C=0.00 G=0.00	CG	Rotosymmetrical

Luminous Intensity Table cd/klm Table 1/1

	C 0.00	C 0.00
G 0.0	473.72	G 46.0 244.22
G 1.0	473.59	G 47.0 234.16
G 2.0	473.28	G 48.0 223.99
G 3.0	472.91	G 49.0 213.88
G 4.0	472.08	G 50.0 203.66
G 5.0	471.19	G 51.0 193.60
G 6.0	470.05	G 52.0 183.49
G 7.0	468.69	G 53.0 173.57
G 8.0	467.23	G 54.0 163.52
G 9.0	465.53	G 55.0 153.71
G 10.0	463.51	G 56.0 143.88
G 11.0	461.39	G 57.0 134.17
G 12.0	459.11	G 58.0 124.64
G 13.0	456.51	G 59.0 115.17
G 14.0	453.77	G 60.0 105.91
G 15.0	450.88	G 61.0 96.73
G 16.0	447.58	G 62.0 87.98
G 17.0	444.31	G 63.0 79.32
G 18.0	440.70	G 64.0 71.19
G 19.0	436.90	G 65.0 63.51
G 20.0	432.96	G 66.0 56.26
G 21.0	428.76	G 67.0 49.57
G 22.0	424.48	G 68.0 43.54
G 23.0	419.86	G 69.0 38.11
G 24.0	415.19	G 70.0 33.35
G 25.0	410.26	G 71.0 29.26
G 26.0	405.12	G 72.0 25.67
G 27.0	399.68	G 73.0 22.68
G 28.0	393.97	G 74.0 20.21
G 29.0	388.10	G 75.0 18.05
G 30.0	381.90	G 76.0 16.22
G 31.0	375.52	G 77.0 14.60
G 32.0	368.80	G 78.0 13.09
G 33.0	361.91	G 79.0 11.67
G 34.0	354.55	G 80.0 10.39
G 35.0	346.91	G 81.0 9.21
G 36.0	338.83	G 82.0 8.15
G 37.0	330.55	G 83.0 7.07
G 38.0	321.65	G 84.0 6.01
G 39.0	312.50	G 85.0 4.95
G 40.0	303.12	G 86.0 3.95
G 41.0	293.46	G 87.0 3.07
G 42.0	283.80	G 88.0 2.34
G 43.0	274.05	G 89.0 1.66
G 44.0	264.29	G 90.0 1.11
G 45.0	254.19	



Luminaire

Code TC-0003-BLA

Name JET

Measur.

Code TC-0003-BLA

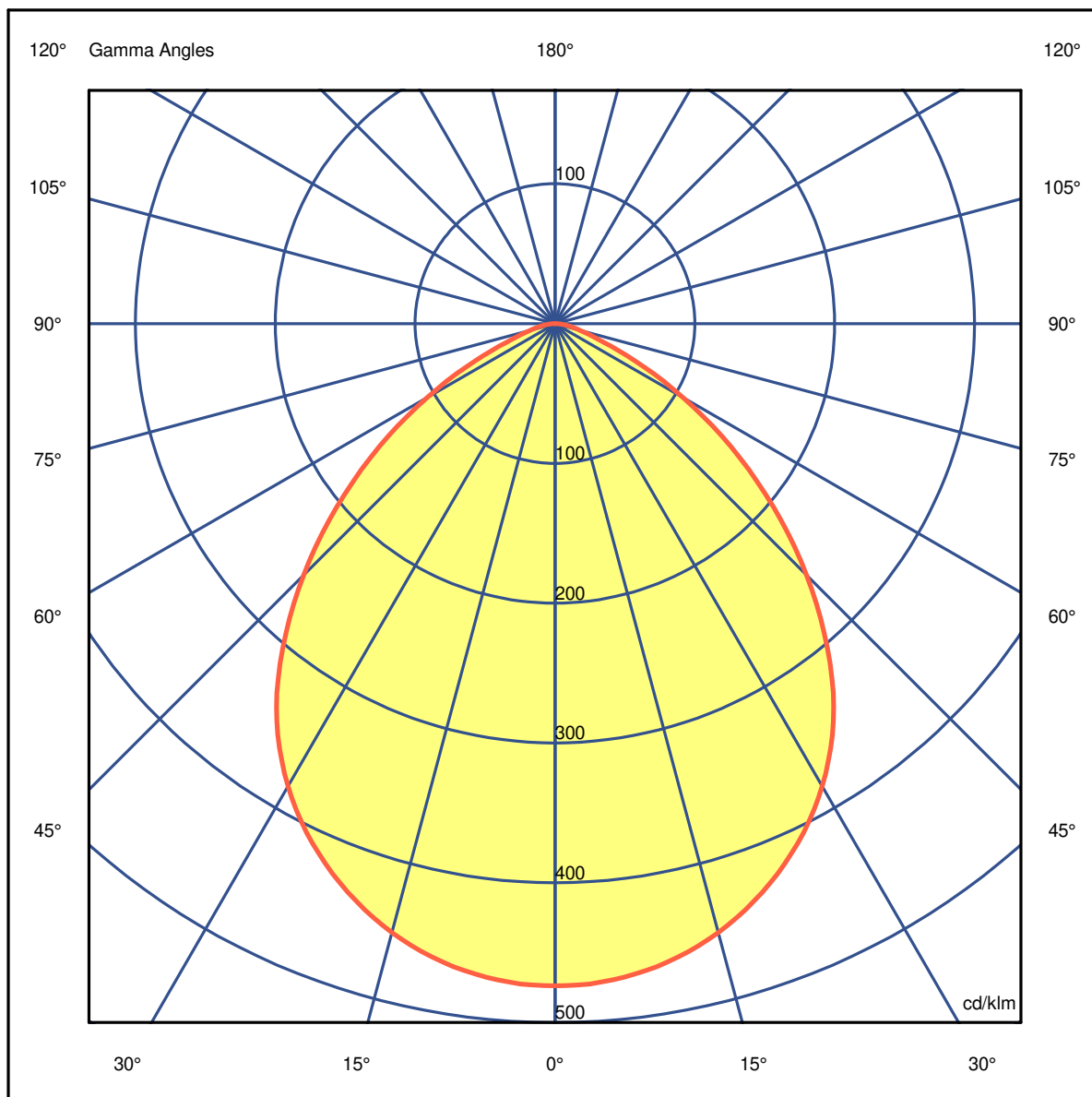
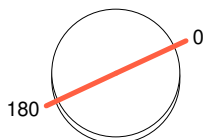
Name JET

Luminaire Flux	732.17 lm	Luminaire Power	10.10 W	Efficacy	72.49 lm/W	Efficiency	100.00%
Sources Flux	732.17 lm	Maximum value	473.72 cd/klm	Position	C=0.00 G=0.00	CG	Rotosymmetrical

Diam=117mm

C Halfplanes

180.0  0.0





Luminaire

Code TC-0003-BLA

Name JET

Measurem.

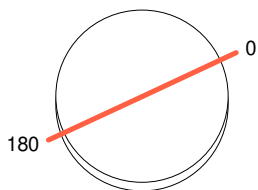
Code TC-0003-BLA

Name JET

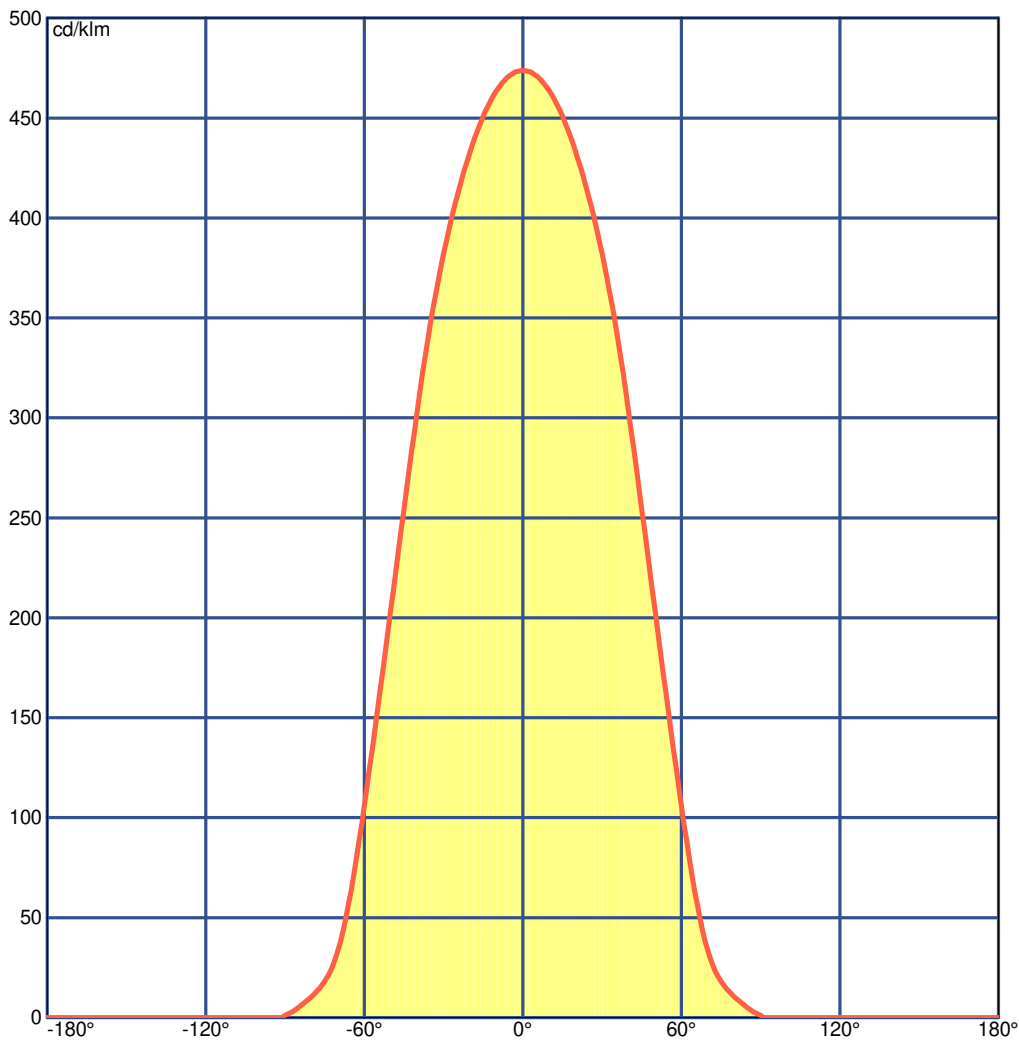
Luminaire Flux	732.17 lm	Luminaire Power	10.10 W	Efficacy	72.49 lm/W	Efficiency	100.00%
Sources Flux	732.17 lm	Maximum value	473.72 cd/klm	Position	C=0.00 G=0.00	CG	Rotosymmetrical

Diam=117mm

C Halfplanes



180.0 ————— 0.0





Luminaire

Code TC-0003-BLA
Name JET

Measur.

Code TC-0003-BLA
Name JET

Luminaire Flux	732.17 lm	Luminaire Power	10.10 W	Efficacy	72.49 lm/W	Efficiency	100.00%
Sources Flux	732.17 lm	Maximum value	473.72 cd/klm	Position	C=0.00 G=0.00	CG	Rotosymmetrical

UGR
S = 0.250

Reflectancies										
Ceiling/Cavity	0.7	0.7	0.5	0.5	0.3	0.7	0.7	0.5	0.5	0.3
Walls	0.5	0.3	0.5	0.3	0.3	0.5	0.3	0.5	0.3	0.3
Working Plane	0.2	0.2	0.2	0.2	0.2	0.2	0.2	0.2	0.2	0.2
Room Dimensions	Lateral View					Viewed Endwise				
x=2H y=2H	26.2	27.4	26.5	27.6	27.8	26.2	27.4	26.5	27.6	27.8
x=2H y=3H	26.6	27.6	26.9	27.8	28.1	26.6	27.6	26.9	27.8	28.1
x=2H y=4H	26.6	27.5	26.9	27.8	28.1	26.6	27.5	26.9	27.8	28.1
x=2H y=6H	26.6	27.5	27.0	27.8	28.1	26.6	27.5	27.0	27.8	28.1
x=2H y=8H	26.6	27.5	27.0	27.8	28.1	26.6	27.5	27.0	27.8	28.1
x=2H y=12H	26.6	27.4	27.0	27.7	28.0	26.6	27.4	27.0	27.7	28.0
x=4H y=2H	26.5	27.4	26.8	27.7	28.0	26.5	27.4	26.8	27.7	28.0
x=4H y=3H	26.9	27.7	27.3	28.0	28.3	26.9	27.7	27.3	28.0	28.3
x=4H y=4H	27.0	27.7	27.4	28.0	28.4	27.0	27.7	27.4	28.0	28.4
x=4H y=6H	27.0	27.6	27.5	28.0	28.4	27.0	27.6	27.5	28.0	28.4
x=4H y=8H	27.1	27.6	27.5	28.0	28.4	27.1	27.6	27.5	28.0	28.4
x=4H y=12H	27.1	27.6	27.5	28.0	28.4	27.1	27.6	27.5	28.0	28.4
x=8H y=4H	27.0	27.5	27.4	27.9	28.3	27.0	27.5	27.4	27.9	28.3
x=8H y=6H	27.1	27.5	27.5	27.9	28.4	27.1	27.5	27.5	27.9	28.4
x=8H y=8H	27.1	27.5	27.6	28.0	28.4	27.1	27.5	27.6	28.0	28.4
x=8H y=12H	27.1	27.5	27.6	28.0	28.5	27.1	27.5	27.6	28.0	28.5
x=12H y=4H	27.0	27.4	27.4	27.9	28.3	27.0	27.4	27.4	27.9	28.3
x=12H y=6H	27.1	27.5	27.5	27.9	28.4	27.1	27.5	27.5	27.9	28.4
x=12H y=8H	27.1	27.5	27.6	27.9	28.4	27.1	27.5	27.6	27.9	28.4



Luminaire

Code TC-0003-BLA

Name JET

Measurement

Code TC-0003-BLA

Name JET

Luminaire Flux	732.17 lm	Luminaire Power	10.10 W	Efficacy	72.49 lm/W	Efficiency	100.00%
Sources Flux	732.17 lm	Maximum value	473.72 cd/klm	Position	C=0.00 G=0.00	CG	Rotosymmetrical

Total Flux=732.17 Luminaire Flux=732.17

RI	0.60	0.80	1.00	1.25	1.50	2.00	2.50	3.00	4.00	5.00	10.00	20.00
DRR	0.40	0.49	0.57	0.64	0.69	0.77	0.82	0.85	0.88	0.91	0.95	0.97
RC	3	3	3	3	3	3	3	2	2	2	3	3

Zonal Flux per 1000 Lumen

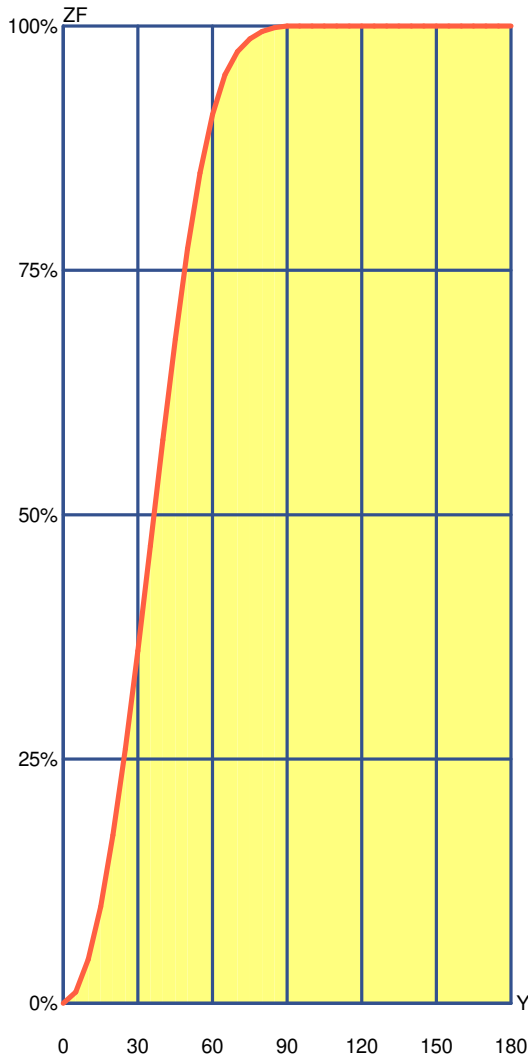
Y°	10	20	30	40	50	60	70	80	90	100	110	120	130	140	150	160	170	180
ZF(Y)	45	172	361	576	772	909	974	994	1000	1000	1000	1000	1000	1000	1000	1000	1000	1000

CIE Flux Codes

61 91 99 100 100

C.I.E.	3/3/3/3/3/3/2/2/3/3
D DIN 5040	A50
F UTE	1.00 C
B NBN	BZ 3
RN	0.00000 %
BLF	1.0

LOR	100.00000 %
ULOR	0.00000 %
DLOR	100.00000 %
UFF	0.00000 %
DFF	100.00000 %
FFR	0.00000 %



Gamma °	Zonal Flux			
	Flux	Sum lm	Flux [%]	Sum [%]
0°	0.00	0.00	0.00%	0.00 %
5°	11.30	11.30	1.13 %	1.13 %
10°	33.44	44.73	3.34 %	4.47 %
15°	54.24	98.98	5.42 %	9.90 %
20°	72.83	171.81	7.28 %	17.18 %
25°	88.44	260.25	8.84 %	26.02 %
30°	100.28	360.53	10.03 %	36.05 %
35°	107.40	467.92	10.74 %	46.79 %
40°	108.55	576.47	10.86 %	57.65 %
45°	103.13	679.60	10.31 %	67.96 %
50°	92.43	772.03	9.24 %	77.20 %
55°	77.54	849.57	7.75 %	84.96 %
60°	59.79	909.35	5.98 %	90.94 %
65°	40.76	950.11	4.08 %	95.01 %
70°	23.85	973.96	2.38 %	97.40 %
75°	12.90	986.86	1.29 %	98.69 %
80°	7.47	994.32	0.75 %	99.43 %
85°	4.14	998.46	0.41 %	99.85 %
90°	1.54	1000.00	0.15 %	100.00 %
95°	0.00	1000.00	0.00 %	100.00 %
100°	0.00	1000.00	0.00 %	100.00 %
105°	0.00	1000.00	0.00 %	100.00 %
110°	0.00	1000.00	0.00 %	100.00 %
115°	0.00	1000.00	0.00 %	100.00 %
120°	0.00	1000.00	0.00 %	100.00 %
125°	0.00	1000.00	0.00 %	100.00 %
130°	0.00	1000.00	0.00 %	100.00 %
135°	0.00	1000.00	0.00 %	100.00 %
140°	0.00	1000.00	0.00 %	100.00 %
145°	0.00	1000.00	0.00 %	100.00 %
150°	0.00	1000.00	0.00 %	100.00 %
155°	0.00	1000.00	0.00 %	100.00 %
160°	0.00	1000.00	0.00 %	100.00 %
165°	0.00	1000.00	0.00 %	100.00 %
170°	0.00	1000.00	0.00 %	100.00 %
175°	0.00	1000.00	0.00 %	100.00 %
180°	0.00	1000.00	0.00 %	100.00 %



Luminaire

Code TC-0003-BLA

Name JET

Measurement

Code TC-0003-BLA

Name JET

Luminaire Flux	732.17 lm	Luminaire Power	10.10 W	Efficacy	72.49 lm/W	Efficiency	100.00%
Sources Flux	732.17 lm	Maximum value	473.72 cd/klm	Position	C=0.00 G=0.00	CG	Rotosymmetrical

Utilizations CIE

Mounting	Direct	Normalization	Normalised	Suspension Ratid/3	Standard CIE Settings
----------	--------	---------------	------------	--------------------	-----------------------

Ceiling

K	8873	8773	8871	8771	7773	7771	7753	7553	7751	7551	7731	7331	7711	7111	5551	5531	5331	5511	5111	3331	3311	1111	0000
0.60	205	184	154	139	175	132	108	91	79	67	43	33	17	12	63	35	31	14	11	29	12	10	0
0.80	237	217	161	148	207	142	136	119	89	79	52	41	24	17	74	43	39	20	17	37	17	15	0
1.00	258	240	160	150	228	143	159	142	95	85	58	48	30	23	80	50	46	26	22	43	23	20	0
1.25	277	261	156	148	248	142	182	165	98	90	64	55	37	30	85	56	52	33	28	49	29	26	0
1.50	291	277	152	145	264	140	201	185	100	93	69	60	43	36	88	61	57	38	34	55	35	32	0
2.00	310	298	142	138	284	133	230	216	102	96	75	68	53	46	91	68	65	48	44	62	44	41	0
2.50	323	313	136	132	298	128	251	238	102	98	80	73	61	53	93	73	70	56	52	67	52	48	0
3.00	332	323	131	128	309	125	267	255	103	99	83	77	66	60	94	77	74	62	58	71	58	54	0
4.00	346	339	126	124	324	121	290	280	104	101	88	83	74	68	97	83	80	70	66	78	66	62	0
5.00	355	349	124	122	334	119	305	296	105	102	92	88	80	75	99	87	85	75	72	82	72	68	0
10.00	375	371	118	117	356	115	339	334	107	106	99	97	92	89	103	95	94	89	87	92	85	82	0
20.00	385	383	114	114	368	112	359	356	108	107	103	102	99	98	104	100	100	96	95	97	94	91	0

Wall

K	8873	8773	8871	8771	7773	7771	7753	7553	7751	7551	7731	7331	7711	7111	5551	5531	5331	5511	5111	3331	3311	1111	0000
0.60	427	416	362	354	410	350	323	315	283	278	237	233	204	202	275	233	232	203	202	231	202	201	181
0.80	471	459	384	377	450	372	367	358	310	305	266	261	233	230	301	261	259	231	230	258	230	228	204
1.00	496	485	390	384	473	378	395	385	323	318	282	277	250	247	313	277	275	248	246	272	246	244	217
1.25	517	506	392	386	492	380	420	409	332	327	295	289	265	261	321	288	286	262	260	283	259	257	226
1.50	531	521	391	387	505	380	439	428	338	333	304	298	276	272	326	297	294	272	270	291	269	266	232
2.00	540	531	378	374	513	368	457	446	334	330	306	301	282	278	322	298	296	277	275	291	273	269	232
2.50	545	537	368	365	517	358	468	458	330	327	307	302	286	281	319	298	296	280	277	291	275	270	230
3.00	547	540	358	356	518	349	475	466	326	323	305	301	287	282	314	296	294	280	278	288	274	269	227
4.00	559	553	356	354	529	347	494	485	329	326	312	308	297	292	316	302	300	289	286	293	282	276	231
5.00	570	565	358	356	540	350	510	502	334	332	320	316	307	303	322	310	308	298	296	300	290	283	237
10.00	608	605	375	374	576	367	558	553	358	357	350	347	341	338	346	338	337	331	329	328	313	262	
20.00	638	636	394	393	606	387	596	593	381	381	376	375	371	370	369	365	364	360	359	353	350	340	287

Working Pl.

K	8873	8773	8871	8771	7773	7771	7753	7553	7751	7551	7731	7331	7711	7111	5551	5531	5331	5511	5111	3331	3311	1111	0000
0.60	662	650	618	610	643	604	537	530	517	512	458	454	416	414	508	454	453	415	414	452	414	413	398
0.80	772	758	711	702	747	695	643	633	613	607	555	549	511	508	602	549	547	509	507	545	507	506	490
1.00	856	842	780	772	827	763	728	717	689	682	633	627	590	586	675	626	623	587	585	620	584	582	567
1.25	932	918	840	833	900	823	808	795	757	750	706	699	665	660	741	696	694	660	657	689	656	653	638
1.50	986	973	881	875	951	864	867	853	805	799	758	751	719	713	788	747	744	713	710	739	708	704	690
2.00	1000	1000	938	933	1000	922	954	941	875	869	835	828	802	795	856	823	820	794	790	812	787	781	768
2.50	1000	1000	971	967	1000	956	1000	997	917	912	883	876	854	847	897	869	866	844	840	857	835	828	816
3.00	1000	1000	993	989	1000	978	1000	1000	945	940	916	909	890	883	925	901	898	879	875	888	869	860	849
4.00	1000	1000	1000	1000	1000	1000	1000	1000	977	973	953	947	932	925	956	936	934	918	915	921	906	895	885
5.00	1000	1000	1000	1000	1000	1000	1000	1000	995	992	975	970	957	950	974	957	955	942	938	941	928	916	905
10.00	1000	1000	1000	1000	1000	1000	1000	1000	1000	1000	1000	1000	1000	1000	1000	1000	999	991	988	982	974	958	948
20.00	1000	1000	1000	1000	1000	1000	1000	1000	1000	1000	1000	1000	1000	1000	1000	1000	1000	1000	1000	1000	1000	982	971

LM53 SHR C0-C180: 1.190 SHR C90-C270: 1.190 SHR Square: 1.265



Luminaire

Code TC-0003-BLA
Name JET

Measurem.

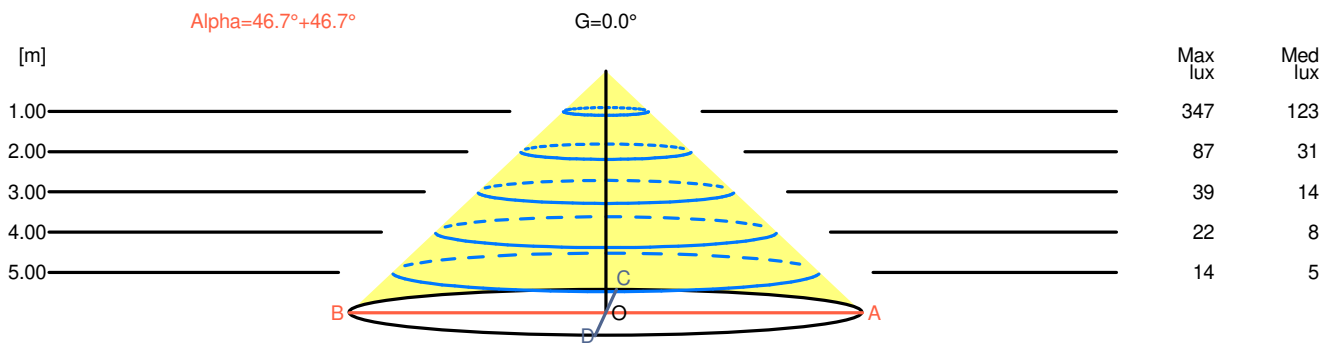
Code TC-0003-BLA
Name JET

Luminaire Flux	732.17 lm	Luminaire Power	10.10 W	Efficacy	72.49 lm/W	Efficiency	100.00%
Sources Flux	732.17 lm	Maximum value	473.72 cd/klm	Position	C=0.00 G=0.00	CG	Rotosymmetrical

Width at 50.00 % of Max Intensity

H[m]	1.00	2.00	3.00	4.00	5.00	H[m]	1.00	2.00	3.00	4.00	5.00
OA	1.06	2.12	3.19	4.25	5.31	OC	1.06	2.12	3.19	4.25	5.31
OB	1.06	2.12	3.19	4.25	5.31	OD	1.06	2.12	3.19	4.25	5.31

	Luminous Intensities [cd/klm]									
	0	5	15	25	35	45	55	65	75	85
OA	346.84	344.99	330.12	300.38	254.00	186.11	112.54	46.50	13.22	3.62
OB	346.84	344.99	330.12	300.38	254.00	186.11	112.54	46.50	13.22	3.62
OC	346.84	344.99	330.12	300.38	254.00	186.11	112.54	46.50	13.22	3.62
OD	346.84	344.99	330.12	300.38	254.00	186.11	112.54	46.50	13.22	3.62



H[m]	D[m]	Max lux	Med lux	Alpha=46.7°+46.7°	G=0.0	
1.00	2.12	347	123			
2.00	4.25	87	31			
3.00	6.37	39	14			
4.00	8.50	22	8			
5.00	10.62	14	5			



Luminaire

Code TC-0003-BLA

Name JET

Measurem.

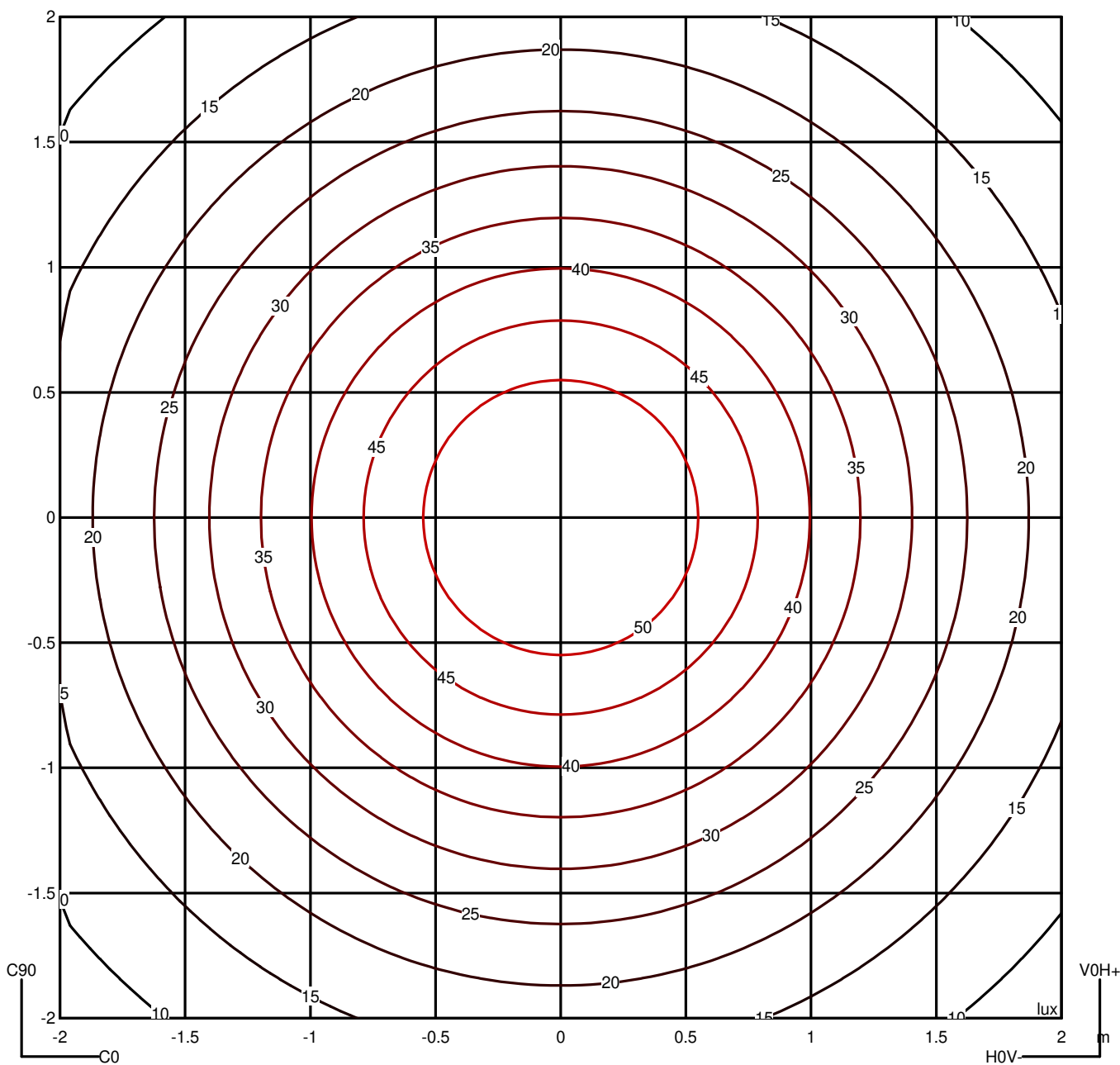
Code TC-0003-BLA

Name JET

Luminaire Flux	732.17 lm	Luminaire Power	10.10 W	Efficacy	72.49 lm/W	Efficiency	100.00%
Sources Flux	732.17 lm	Maximum value	473.72 cd/klm	Position	C=0.00 G=0.00	CG	Rotosymmetrical

Isolux (Floor)

Luminaire position X=0.00m Y=0.00m Z=2.50m





Luminaire

Code TC-0003-BLA

Name JET

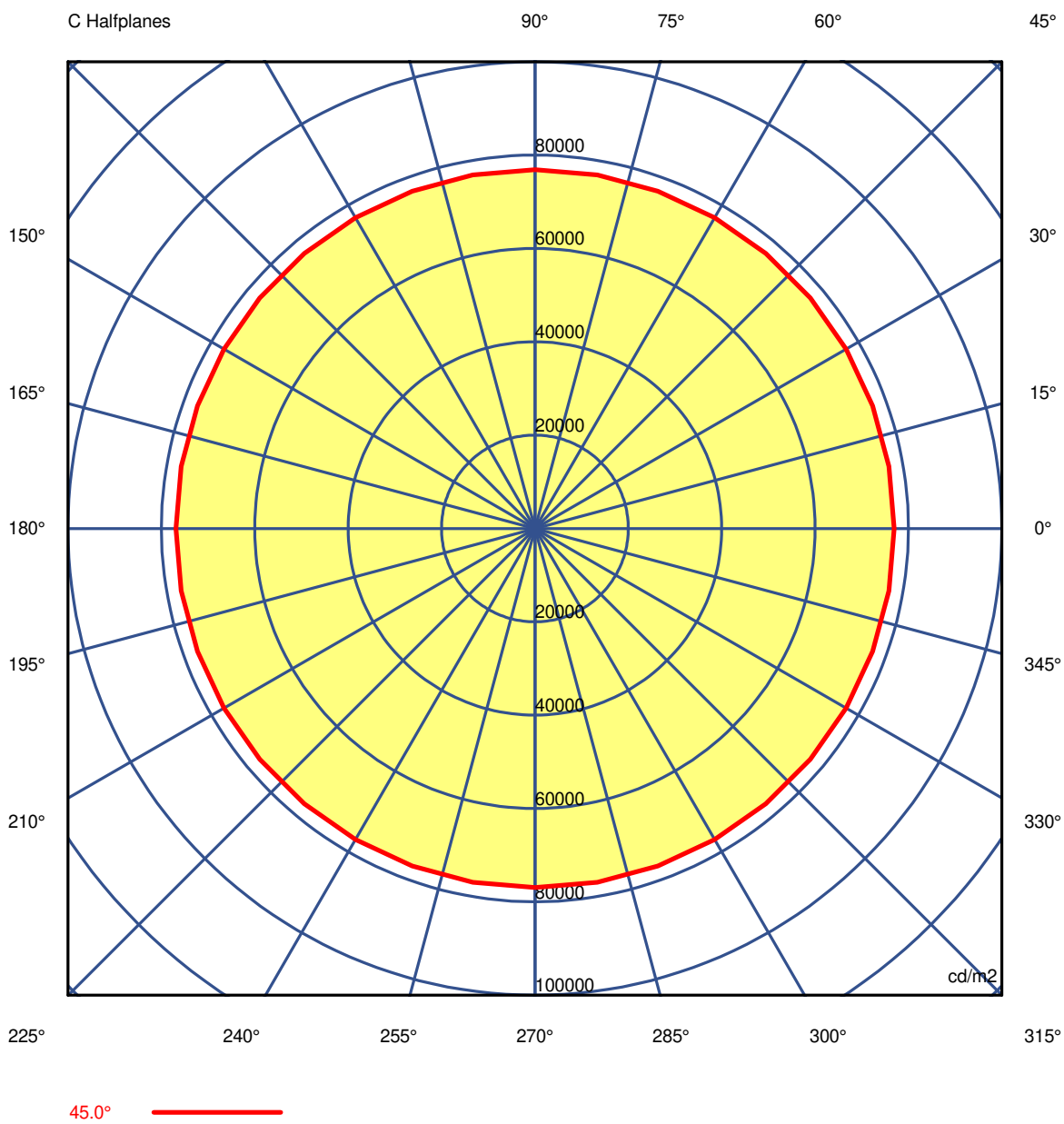
Measurem.

Code TC-0003-BLA

Name JET

Luminaire Flux	732.17 lm	Luminaire Power	10.10 W	Efficacy	72.49 lm/W	Efficiency	100.00%
Sources Flux	732.17 lm	Maximum value	473.72 cd/klm	Position	C=0.00 G=0.00	CG	Rotosymmetrical

Luminance





Luminaire

Code TC-0003-BLA

Name JET

Measurement

Code TC-0003-BLA

Name JET

Luminaire Flux	732.17 lm	Luminaire Power	10.10 W	Efficacy	72.49 lm/W	Efficiency	100.00%
Sources Flux	732.17 lm	Maximum value	473.72 cd/klm	Position	C=0.00 G=0.00	CG	Rotosymmetrical

Luminance cd/m2 Table 1/3

	C 0.00	C 10.00	C 20.00	C 30.00	C 40.00	C 50.00	C 60.00	C 70.00	C 80.00	C 90.00	C 100.00	C 110.00	C 120.00
G 0.0	101380.24	101380.24	101380.24	101380.24	101380.24	101380.24	101380.24	101380.24	101380.24	101380.24	101380.24	101380.24	101380.24
G 5.0	101224.25	101224.25	101224.25	101224.25	101224.25	101224.25	101224.25	101224.25	101224.25	101224.25	101224.25	101224.25	101224.25
G 10.0	100725.19	100725.19	100725.19	100725.19	100725.19	100725.19	100725.19	100725.19	100725.19	100725.19	100725.19	100725.19	100725.19
G 15.0	99897.00	99897.00	99897.00	99897.00	99897.00	99897.00	99897.00	99897.00	99897.00	99897.00	99897.00	99897.00	99897.00
G 20.0	98604.41	98604.41	98604.41	98604.41	98604.41	98604.41	98604.41	98604.41	98604.41	98604.41	98604.41	98604.41	98604.41
G 25.0	96875.99	96875.99	96875.99	96875.99	96875.99	96875.99	96875.99	96875.99	96875.99	96875.99	96875.99	96875.99	96875.99
G 30.0	94373.28	94373.28	94373.28	94373.28	94373.28	94373.28	94373.28	94373.28	94373.28	94373.28	94373.28	94373.28	94373.28
G 35.0	90633.35	90633.35	90633.35	90633.35	90633.35	90633.35	90633.35	90633.35	90633.35	90633.35	90633.35	90633.35	90633.35
G 40.0	84684.23	84684.23	84684.23	84684.23	84684.23	84684.23	84684.23	84684.23	84684.23	84684.23	84684.23	84684.23	84684.23
G 45.0	76932.08	76932.08	76932.08	76932.08	76932.08	76932.08	76932.08	76932.08	76932.08	76932.08	76932.08	76932.08	76932.08
G 50.0	67806.59	67806.59	67806.59	67806.59	67806.59	67806.59	67806.59	67806.59	67806.59	67806.59	67806.59	67806.59	67806.59
G 55.0	57352.25	57352.25	57352.25	57352.25	57352.25	57352.25	57352.25	57352.25	57352.25	57352.25	57352.25	57352.25	57352.25
G 60.0	45329.95	45329.95	45329.95	45329.95	45329.95	45329.95	45329.95	45329.95	45329.95	45329.95	45329.95	45329.95	45329.95
G 65.0	32158.49	32158.49	32158.49	32158.49	32158.49	32158.49	32158.49	32158.49	32158.49	32158.49	32158.49	32158.49	32158.49
G 70.0	20865.22	20865.22	20865.22	20865.22	20865.22	20865.22	20865.22	20865.22	20865.22	20865.22	20865.22	20865.22	20865.22
G 75.0	14927.10	14927.10	14927.10	14927.10	14927.10	14927.10	14927.10	14927.10	14927.10	14927.10	14927.10	14927.10	14927.10
G 80.0	12799.22	12799.22	12799.22	12799.22	12799.22	12799.22	12799.22	12799.22	12799.22	12799.22	12799.22	12799.22	12799.22
G 85.0	12153.29	12153.29	12153.29	12153.29	12153.29	12153.29	12153.29	12153.29	12153.29	12153.29	12153.29	12153.29	12153.29
G 90.0	0.00	0.00	0.00	0.00	0.00	0.00	0.00	0.00	0.00	0.00	0.00	0.00	0.00



Luminaire

Code TC-0003-BLA

Name JET

Measurement

Code TC-0003-BLA

Name JET

Luminaire Flux	732.17 lm	Luminaire Power	10.10 W	Efficacy	72.49 lm/W	Efficiency	100.00%
Sources Flux	732.17 lm	Maximum value	473.72 cd/klm	Position	C=0.00 G=0.00	CG	Rotosymmetrical

Luminance cd/m2 Table 2/3

	C 130.00	C 140.00	C 150.00	C 160.00	C 170.00	C 180.00	C 190.00	C 200.00	C 210.00	C 220.00	C 230.00	C 240.00	C 250.00
G 0.0	101380.24	101380.24	101380.24	101380.24	101380.24	101380.24	101380.24	101380.24	101380.24	101380.24	101380.24	101380.24	101380.24
G 5.0	101224.25	101224.25	101224.25	101224.25	101224.25	101224.25	101224.25	101224.25	101224.25	101224.25	101224.25	101224.25	101224.25
G 10.0	100725.19	100725.19	100725.19	100725.19	100725.19	100725.19	100725.19	100725.19	100725.19	100725.19	100725.19	100725.19	100725.19
G 15.0	99897.00	99897.00	99897.00	99897.00	99897.00	99897.00	99897.00	99897.00	99897.00	99897.00	99897.00	99897.00	99897.00
G 20.0	98604.41	98604.41	98604.41	98604.41	98604.41	98604.41	98604.41	98604.41	98604.41	98604.41	98604.41	98604.41	98604.41
G 25.0	96875.99	96875.99	96875.99	96875.99	96875.99	96875.99	96875.99	96875.99	96875.99	96875.99	96875.99	96875.99	96875.99
G 30.0	94373.28	94373.28	94373.28	94373.28	94373.28	94373.28	94373.28	94373.28	94373.28	94373.28	94373.28	94373.28	94373.28
G 35.0	90633.35	90633.35	90633.35	90633.35	90633.35	90633.35	90633.35	90633.35	90633.35	90633.35	90633.35	90633.35	90633.35
G 40.0	84684.23	84684.23	84684.23	84684.23	84684.23	84684.23	84684.23	84684.23	84684.23	84684.23	84684.23	84684.23	84684.23
G 45.0	76932.08	76932.08	76932.08	76932.08	76932.08	76932.08	76932.08	76932.08	76932.08	76932.08	76932.08	76932.08	76932.08
G 50.0	67806.59	67806.59	67806.59	67806.59	67806.59	67806.59	67806.59	67806.59	67806.59	67806.59	67806.59	67806.59	67806.59
G 55.0	57352.25	57352.25	57352.25	57352.25	57352.25	57352.25	57352.25	57352.25	57352.25	57352.25	57352.25	57352.25	57352.25
G 60.0	45329.95	45329.95	45329.95	45329.95	45329.95	45329.95	45329.95	45329.95	45329.95	45329.95	45329.95	45329.95	45329.95
G 65.0	32158.49	32158.49	32158.49	32158.49	32158.49	32158.49	32158.49	32158.49	32158.49	32158.49	32158.49	32158.49	32158.49
G 70.0	20865.22	20865.22	20865.22	20865.22	20865.22	20865.22	20865.22	20865.22	20865.22	20865.22	20865.22	20865.22	20865.22
G 75.0	14927.10	14927.10	14927.10	14927.10	14927.10	14927.10	14927.10	14927.10	14927.10	14927.10	14927.10	14927.10	14927.10
G 80.0	12799.22	12799.22	12799.22	12799.22	12799.22	12799.22	12799.22	12799.22	12799.22	12799.22	12799.22	12799.22	12799.22
G 85.0	12153.29	12153.29	12153.29	12153.29	12153.29	12153.29	12153.29	12153.29	12153.29	12153.29	12153.29	12153.29	12153.29
G 90.0	0.00	0.00	0.00	0.00	0.00	0.00	0.00	0.00	0.00	0.00	0.00	0.00	0.00



Luminaire

Code TC-0003-BLA

Name JET

Measur.

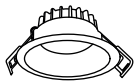
Code TC-0003-BLA

Name JET

Luminaire Flux	732.17 lm	Luminaire Power	10.10 W	Efficacy	72.49 lm/W	Efficiency	100.00%
Sources Flux	732.17 lm	Maximum value	473.72 cd/klm	Position	C=0.00 G=0.00	CG	Rotosymmetrical

Luminance cd/m2 Table 3/3

	C 260.00	C 270.00	C 280.00	C 290.00	C 300.00	C 310.00	C 320.00	C 330.00	C 340.00	C 350.00
G 0.0	101380.24	101380.24	101380.24	101380.24	101380.24	101380.24	101380.24	101380.24	101380.24	101380.24
G 5.0	101224.25	101224.25	101224.25	101224.25	101224.25	101224.25	101224.25	101224.25	101224.25	101224.25
G 10.0	100725.19	100725.19	100725.19	100725.19	100725.19	100725.19	100725.19	100725.19	100725.19	100725.19
G 15.0	99897.00	99897.00	99897.00	99897.00	99897.00	99897.00	99897.00	99897.00	99897.00	99897.00
G 20.0	98604.41	98604.41	98604.41	98604.41	98604.41	98604.41	98604.41	98604.41	98604.41	98604.41
G 25.0	96875.99	96875.99	96875.99	96875.99	96875.99	96875.99	96875.99	96875.99	96875.99	96875.99
G 30.0	94373.28	94373.28	94373.28	94373.28	94373.28	94373.28	94373.28	94373.28	94373.28	94373.28
G 35.0	90633.35	90633.35	90633.35	90633.35	90633.35	90633.35	90633.35	90633.35	90633.35	90633.35
G 40.0	84684.23	84684.23	84684.23	84684.23	84684.23	84684.23	84684.23	84684.23	84684.23	84684.23
G 45.0	76932.08	76932.08	76932.08	76932.08	76932.08	76932.08	76932.08	76932.08	76932.08	76932.08
G 50.0	67806.59	67806.59	67806.59	67806.59	67806.59	67806.59	67806.59	67806.59	67806.59	67806.59
G 55.0	57352.25	57352.25	57352.25	57352.25	57352.25	57352.25	57352.25	57352.25	57352.25	57352.25
G 60.0	45329.95	45329.95	45329.95	45329.95	45329.95	45329.95	45329.95	45329.95	45329.95	45329.95
G 65.0	32158.49	32158.49	32158.49	32158.49	32158.49	32158.49	32158.49	32158.49	32158.49	32158.49
G 70.0	20865.22	20865.22	20865.22	20865.22	20865.22	20865.22	20865.22	20865.22	20865.22	20865.22
G 75.0	14927.10	14927.10	14927.10	14927.10	14927.10	14927.10	14927.10	14927.10	14927.10	14927.10
G 80.0	12799.22	12799.22	12799.22	12799.22	12799.22	12799.22	12799.22	12799.22	12799.22	12799.22
G 85.0	12153.29	12153.29	12153.29	12153.29	12153.29	12153.29	12153.29	12153.29	12153.29	12153.29
G 90.0	0.00	0.00	0.00	0.00	0.00	0.00	0.00	0.00	0.00	0.00



Jet

TC-0000 TC-0001 TC-0002 TC-0003 TC-0004 TC-0005 TC-0006 TC-0007

FOR LIGHT



TC-0000
TC-0001



Ø75 mm

TC-0002
TC-0003




Ø105 mm

TC-0004
TC-0005

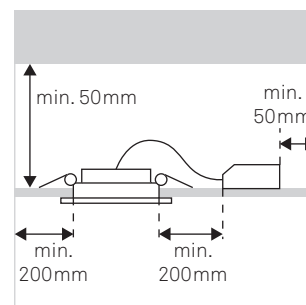


Ø150 mm

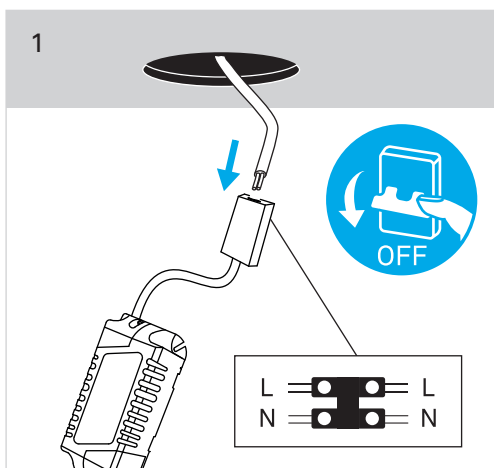
TC-0006
TC-0007



Ø205 mm



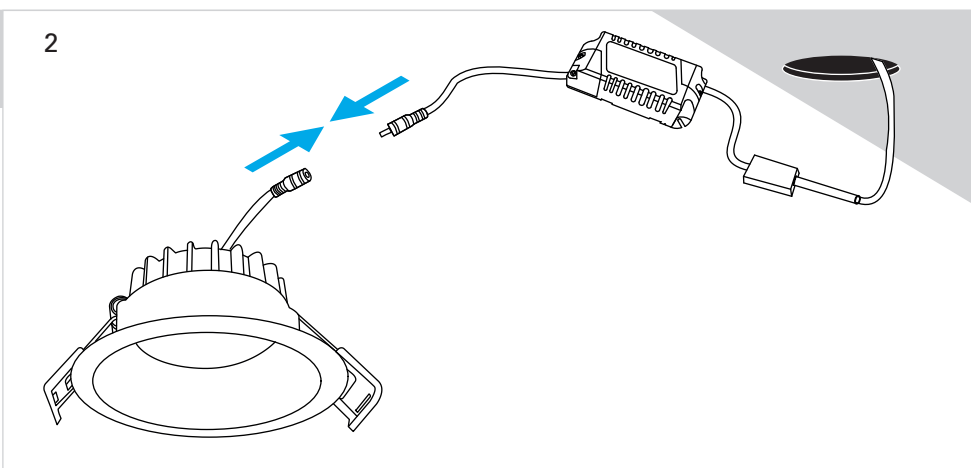
1



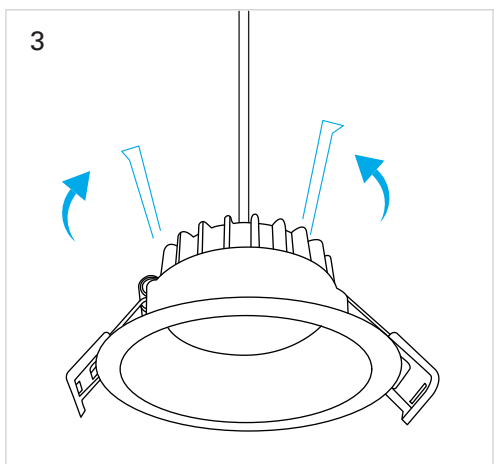
OFF

L L
N N

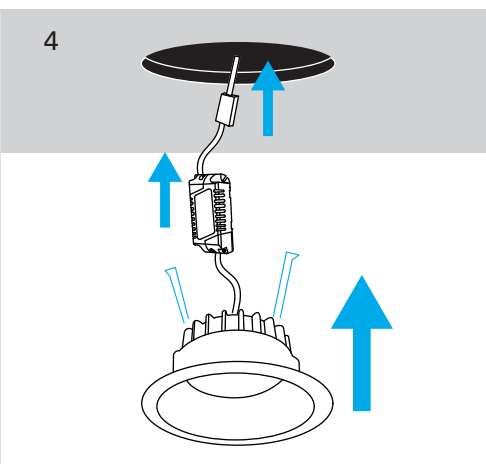
2



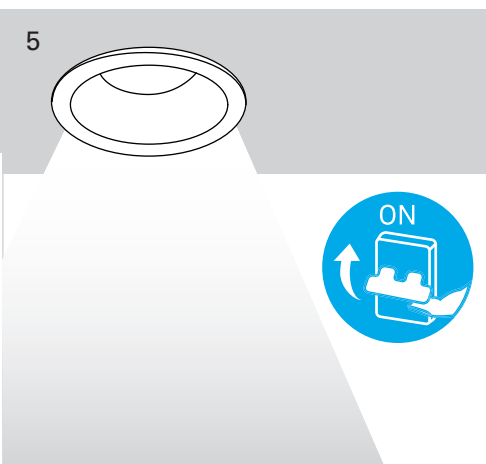
3



4



5



ON

