

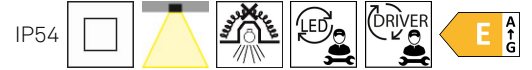


Jet Ø220mm

TC-0006-BLA

Downlight IP54 Jet Ø220mm LED 29.5 Blanco cálido - 3000K ON-OFF Blanco 3300.00

**CARACTERÍSTICAS TÉCNICAS**



Potencia total luminaria : 29.5W

Lúmenes reales : 2615

Lúmenes nominales : 3300

Lm / W reales : 89

Temperatura de color correlacionada (CCT) : Blanco cálido - 3000K

Ángulo Ópticas / Reflector : FLOOD 100°

Material de la estructura : Aluminio

Acabado estructura : Blanco

Material del difusor : Poliestireno

Acabado difusor : Blanco opal

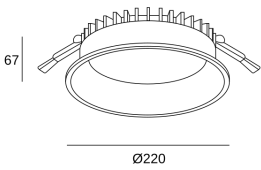
Voltaje / Frecuencia : 100-240V/50-60Hz

Protocolo de regulación : ON-OFF

Power Factor : 0.90

Vida útil : 36.000h L70B30

Garantía : 5 Años



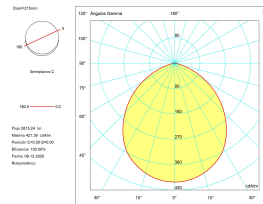
**CARACTERÍSTICAS LUMINOTÉCNICAS**

CRI: 80

MacAdam steps: 5

Riesgo fotobiológico: RG0

Portalámparas	Cantidad	Potencia fuente de luz (W)
LED	1	27.5W



**LOGÍSTICA**

Peso neto (Kg): 0.77

Peso embalado (Kg): 1.71

Embalaje: 230mm x 230mm x 77mm







**Luminaire**

Code TC-0006-BLA  
Name JET

**Measurum.**

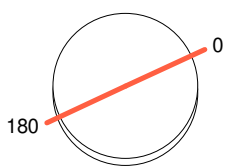
Code TC-0006-BLA  
Name JET

Luminaire Flux	2615.24 lm	Luminaire Power	29.50 W	Efficacy	88.65 lm/W	Efficiency	100.00%
Sources Flux	2615.24 lm	Maximum value	421.39 cd/klm	Position	C=0.00 G=0.00	CG	Rotosymmetrical
Round Luminaire		Diam.	215 mm	Height	65 mm		
Round Luminous Area		Diam.	157 mm	Height	0 mm		
Horizontal Luminous Area		0.019359 m2		Emitting area on Plane 180°		0.000000 m2	
Emitting area on Plane 0°		0.000000 m2		Emitting area on Plane 270°		0.000000 m2	
Emitting area on Plane 90°		0.000000 m2		Glare area at 76°		0.004683 m2	
Coordinate system		CG		Symmetry Type		Rotosymmetrical	
Date		09-12-2020		Maximum Gamma Angle		90	
Measurement Distance		0.00		Measurement Flux		2615.24 lm	
Operator		qualitat		Rated Voltage			
Temperature		25.00 °C		Rated Current			
Humidity		60.00 %		Photocell			
Notes							

**Luminaire Sources**

Line	Code	Name	Flux [lm]	Pow. [W]	Q.ty
	TC-0006-BLA	TC-0006-BLA	2615.24	29.50	1
C.I.E.	55 87 98 100 100	D DIN 5040	A40		
F UTE	1.00 D	B NBN	BZ 3		

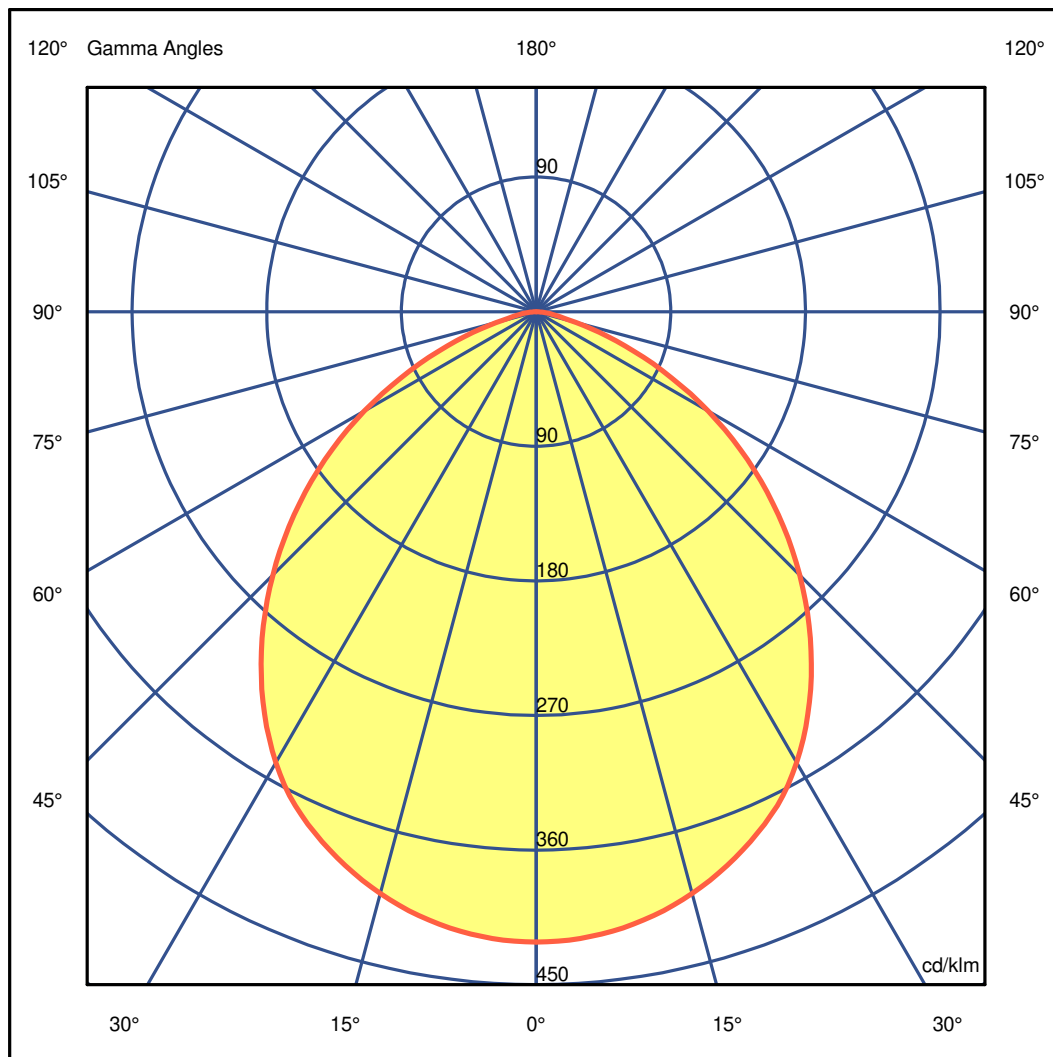
Diam=215mm



C Halfplanes

180.0 — 0.0

ULOR 0.00 %  
DLOR 100.00 %  
RN 0.00 %





**Luminaire**

Code TC-0006-BLA  
Name JET

**Measur.**

Code TC-0006-BLA  
Name JET

Luminaire Flux	2615.24 lm	Luminaire Power	29.50 W	Efficacy	88.65 lm/W	Efficiency	100.00%
Sources Flux	2615.24 lm	Maximum value	421.39 cd/klm	Position	C=0.00 G=0.00	CG	Rotosymmetrical

**Luminous Intensity Table cd/klm Table 1/1**

	C 0.00	C 0.00
G 0.0	421.39	G 46.0 241.57
G 1.0	421.32	G 47.0 234.10
G 2.0	421.06	G 48.0 226.55
G 3.0	420.64	G 49.0 218.94
G 4.0	420.04	G 50.0 211.24
G 5.0	419.27	G 51.0 203.55
G 6.0	418.37	G 52.0 195.76
G 7.0	417.27	G 53.0 188.05
G 8.0	416.02	G 54.0 180.23
G 9.0	414.60	G 55.0 172.43
G 10.0	413.00	G 56.0 164.52
G 11.0	411.26	G 57.0 156.60
G 12.0	409.33	G 58.0 148.69
G 13.0	407.25	G 59.0 140.68
G 14.0	404.98	G 60.0 132.75
G 15.0	402.64	G 61.0 124.68
G 16.0	400.07	G 62.0 116.74
G 17.0	397.42	G 63.0 108.66
G 18.0	394.56	G 64.0 100.83
G 19.0	391.58	G 65.0 93.05
G 20.0	388.54	G 66.0 85.40
G 21.0	385.33	G 67.0 77.99
G 22.0	382.08	G 68.0 70.71
G 23.0	378.60	G 69.0 63.71
G 24.0	375.06	G 70.0 56.92
G 25.0	371.29	G 71.0 50.41
G 26.0	367.43	G 72.0 44.28
G 27.0	363.23	G 73.0 38.51
G 28.0	358.39	G 74.0 33.07
G 29.0	353.25	G 75.0 27.98
G 30.0	347.93	G 76.0 23.43
G 31.0	342.45	G 77.0 19.58
G 32.0	336.66	G 78.0 16.66
G 33.0	330.79	G 79.0 14.54
G 34.0	324.59	G 80.0 12.95
G 35.0	318.41	G 81.0 11.50
G 36.0	311.97	G 82.0 10.16
G 37.0	305.36	G 83.0 8.85
G 38.0	298.74	G 84.0 7.56
G 39.0	291.87	G 85.0 6.29
G 40.0	284.97	G 86.0 5.05
G 41.0	277.89	G 87.0 3.87
G 42.0	270.78	G 88.0 2.78
G 43.0	263.51	G 89.0 1.75
G 44.0	256.31	G 90.0 0.78
G 45.0	248.98	



**Luminaire**

Code TC-0006-BLA

Name JET

**Measur.**

Code TC-0006-BLA

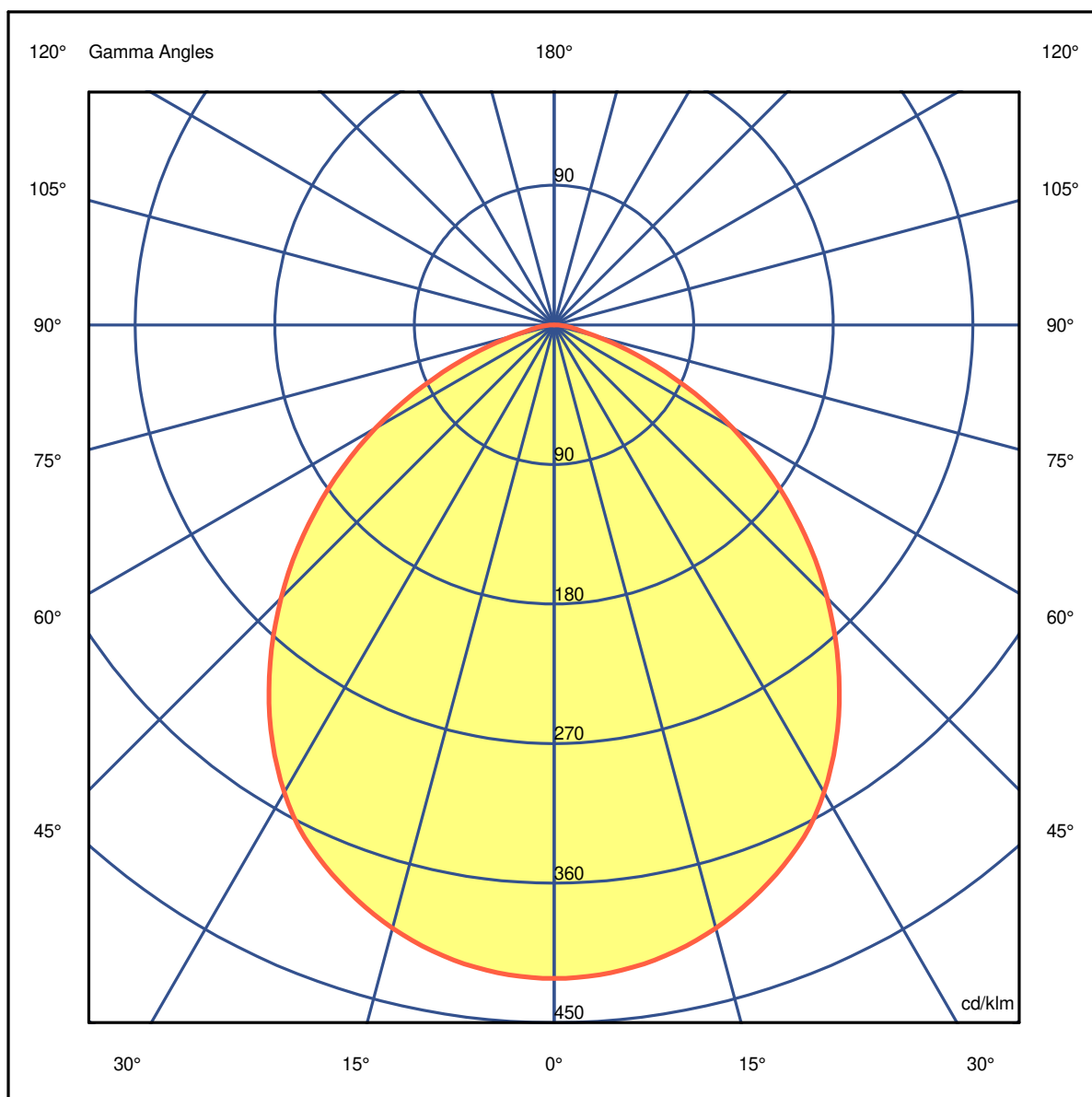
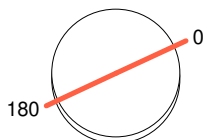
Name JET

Luminaire Flux	2615.24 lm	Luminaire Power	29.50 W	Efficacy	88.65 lm/W	Efficiency	100.00%
Sources Flux	2615.24 lm	Maximum value	421.39 cd/klm	Position	C=0.00 G=0.00	CG	Rotosymmetrical

Diam=215mm

C Halfplanes

180.0 ————— 0.0





**Luminaire**

Code TC-0006-BLA

Name JET

**Measurem.**

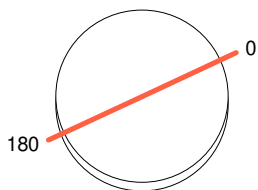
Code TC-0006-BLA

Name JET

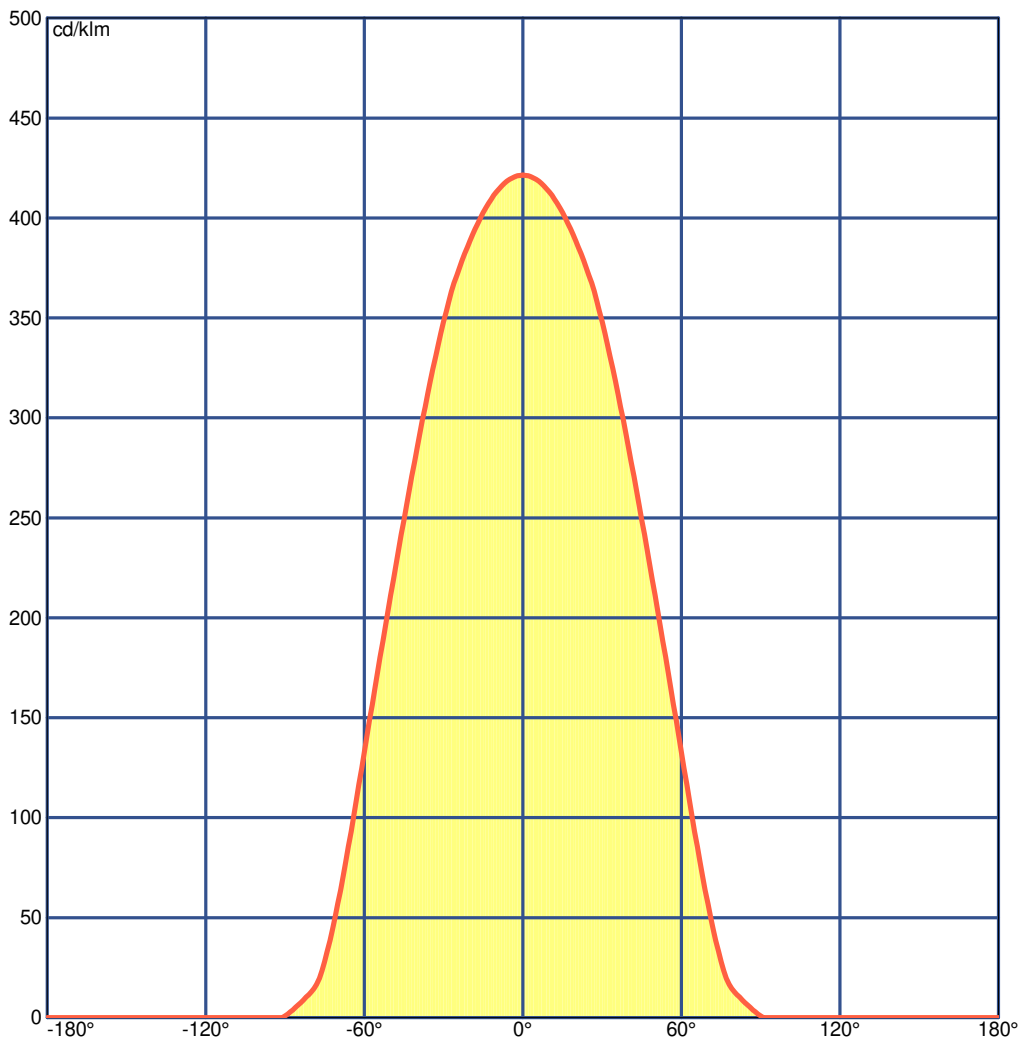
Luminaire Flux	2615.24 lm	Luminaire Power	29.50 W	Efficacy	88.65 lm/W	Efficiency	100.00%
Sources Flux	2615.24 lm	Maximum value	421.39 cd/klm	Position	C=0.00 G=0.00	CG	Rotosymmetrical

Diam=215mm

C Halfplanes



180.0 ————— 0.0





**Luminaire**

Code TC-0006-BLA  
Name JET

**Measur.**

Code TC-0006-BLA  
Name JET

Luminaire Flux	2615.24 lm	Luminaire Power	29.50 W	Efficacy	88.65 lm/W	Efficiency	100.00%
Sources Flux	2615.24 lm	Maximum value	421.39 cd/klm	Position	C=0.00 G=0.00	CG	Rotosymmetrical

**UGR**  
S = 0.250

Reflectancies										
Ceiling/Cavity	0.7	0.7	0.5	0.5	0.3	0.7	0.7	0.5	0.5	0.3
Walls	0.5	0.3	0.5	0.3	0.3	0.5	0.3	0.5	0.3	0.3
Working Plane	0.2	0.2	0.2	0.2	0.2	0.2	0.2	0.2	0.2	0.2
Room Dimensions	Lateral View					Viewed Endwise				
x=2H y=2H	25.3	26.5	25.6	26.7	27.0	25.3	26.5	25.6	26.7	27.0
x=2H y=3H	26.1	27.2	26.4	27.4	27.7	26.1	27.2	26.4	27.4	27.7
x=2H y=4H	26.2	27.2	26.6	27.5	27.8	26.2	27.2	26.6	27.5	27.8
x=2H y=6H	26.3	27.2	26.6	27.5	27.8	26.3	27.2	26.6	27.5	27.8
x=2H y=8H	26.3	27.2	26.6	27.5	27.8	26.3	27.2	26.6	27.5	27.8
x=2H y=12H	26.3	27.1	26.6	27.4	27.8	26.3	27.1	26.6	27.4	27.8
x=4H y=2H	25.7	26.8	26.1	27.0	27.3	25.7	26.8	26.1	27.0	27.3
x=4H y=3H	26.6	27.5	27.0	27.8	28.2	26.6	27.5	27.0	27.8	28.2
x=4H y=4H	26.9	27.6	27.2	27.9	28.3	26.9	27.6	27.2	27.9	28.3
x=4H y=6H	26.9	27.6	27.3	28.0	28.4	26.9	27.6	27.3	28.0	28.4
x=4H y=8H	27.0	27.5	27.4	27.9	28.4	27.0	27.5	27.4	27.9	28.4
x=4H y=12H	27.0	27.5	27.4	27.9	28.3	27.0	27.5	27.4	27.9	28.3
x=8H y=4H	26.9	27.5	27.3	27.9	28.3	26.9	27.5	27.3	27.9	28.3
x=8H y=6H	27.0	27.5	27.5	27.9	28.4	27.0	27.5	27.5	27.9	28.4
x=8H y=8H	27.1	27.5	27.5	27.9	28.4	27.1	27.5	27.5	27.9	28.4
x=8H y=12H	27.1	27.5	27.6	27.9	28.4	27.1	27.5	27.6	27.9	28.4
x=12H y=4H	26.9	27.4	27.3	27.8	28.2	26.9	27.4	27.3	27.8	28.2
x=12H y=6H	27.0	27.4	27.5	27.9	28.3	27.0	27.4	27.5	27.9	28.3
x=12H y=8H	27.1	27.4	27.5	27.9	28.4	27.1	27.4	27.5	27.9	28.4



**Luminaire**

Code TC-0006-BLA  
 Name JET  
**Measurement.**  
 Code TC-0006-BLA  
 Name JET

Luminaire Flux	2615.24 lm	Luminaire Power	29.50 W	Efficacy	88.65 lm/W	Efficiency	100.00%
Sources Flux	2615.24 lm	Maximum value	421.39 cd/klm	Position	C=0.00 G=0.00	CG	Rotosymmetrical

Total Flux=2615.24 Luminaire Flux=2615.24

RI	0.60	0.80	1.00	1.25	1.50	2.00	2.50	3.00	4.00	5.00	10.00	20.00
DRR	0.36	0.45	0.53	0.60	0.65	0.74	0.79	0.83	0.87	0.89	0.94	0.97
RC	4	4	4	4	4	3	3	3	3	3	3	3

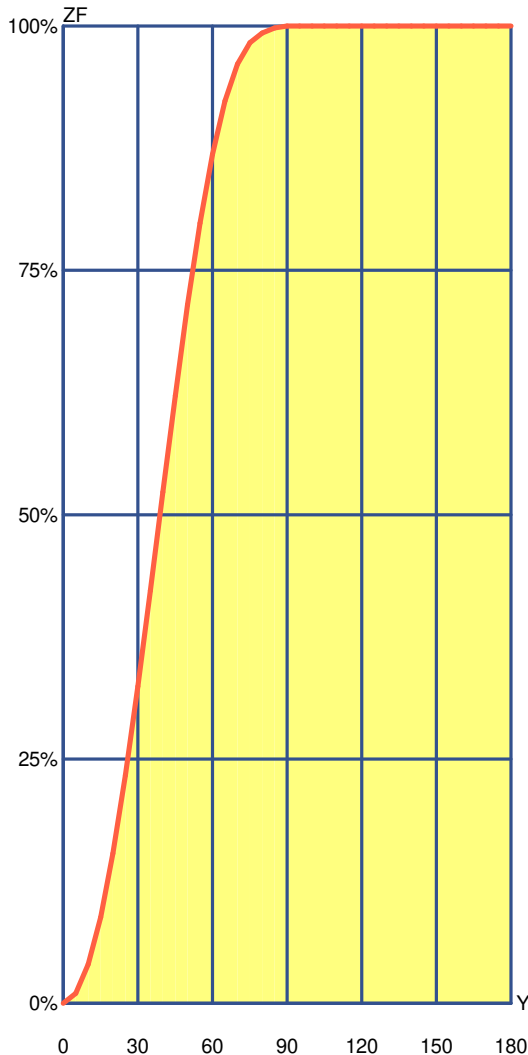
Zonal Flux per 1000 Lumen

Y°	10	20	30	40	50	60	70	80	90	100	110	120	130	140	150	160	170	180
ZF(Y)	40	153	324	523	715	869	961	993	1000	1000	1000	1000	1000	1000	1000	1000	1000	1000

CIE Flux Codes

55 87 98 100 100

C.I.E.	4/4/4/4/4/3/3/3/3/3/3	LOR	100.00000 %
D DIN 5040	A40	ULOR	0.00000 %
F UTE	1.00 D	DLOR	100.00000 %
B NBN	BZ 3	UFF	0.00000 %
RN	0.00000 %	DFF	100.00000 %
BLF	1.0	FFR	0.00000 %



Gamma °	Zonal Flux			
	Flux	Sum lm	Flux [%]	Sum [%]
0°	0.00	0.00	0.00%	0.00 %
5°	10.05	10.05	1.01 %	1.01 %
10°	29.77	39.82	2.98 %	3.98 %
15°	48.38	88.20	4.84 %	8.82 %
20°	65.19	153.40	6.52 %	15.34 %
25°	79.69	233.09	7.97 %	23.31 %
30°	91.13	324.22	9.11 %	32.42 %
35°	98.13	422.36	9.81 %	42.24 %
40°	100.65	523.00	10.06 %	52.30 %
45°	98.81	621.81	9.88 %	62.18 %
50°	92.95	714.77	9.30 %	71.48 %
55°	83.35	798.12	8.34 %	79.81 %
60°	70.47	868.59	7.05 %	86.86 %
65°	54.75	923.35	5.48 %	92.33 %
70°	37.70	961.05	3.77 %	96.11 %
75°	21.79	982.84	2.18 %	98.28 %
80°	10.12	992.96	1.01 %	99.30 %
85°	5.18	998.14	0.52 %	99.81 %
90°	1.86	1000.00	0.19 %	100.00 %
95°	0.00	1000.00	0.00 %	100.00 %
100°	0.00	1000.00	0.00 %	100.00 %
105°	0.00	1000.00	0.00 %	100.00 %
110°	0.00	1000.00	0.00 %	100.00 %
115°	0.00	1000.00	0.00 %	100.00 %
120°	0.00	1000.00	0.00 %	100.00 %
125°	0.00	1000.00	0.00 %	100.00 %
130°	0.00	1000.00	0.00 %	100.00 %
135°	0.00	1000.00	0.00 %	100.00 %
140°	0.00	1000.00	0.00 %	100.00 %
145°	0.00	1000.00	0.00 %	100.00 %
150°	0.00	1000.00	0.00 %	100.00 %
155°	0.00	1000.00	0.00 %	100.00 %
160°	0.00	1000.00	0.00 %	100.00 %
165°	0.00	1000.00	0.00 %	100.00 %
170°	0.00	1000.00	0.00 %	100.00 %
175°	0.00	1000.00	0.00 %	100.00 %
180°	0.00	1000.00	0.00 %	100.00 %





**Luminaire**

Code TC-0006-BLA

Name JET

**Measurment.**

Code TC-0006-BLA

Name JET

Luminaire Flux	2615.24 lm	Luminaire Power	29.50 W	Efficacy	88.65 lm/W	Efficiency	100.00%
Sources Flux	2615.24 lm	Maximum value	421.39 cd/klm	Position	C=0.00 G=0.00	CG	Rotosymmetrical

Utilizations CIE

Mounting	Direct	Normalization										Normalised					Suspension Ratid/3					Standard CIE Settings				
Ceiling																										
K	8873	8773	8871	8771	7773	7771	7753	7553	7751	7551	7731	7331	7711	7111	5551	5531	5331	5511	5111	3331	3311	1111	0000			
0.60	210	189	161	145	180	139	109	93	83	70	45	34	17	12	66	36	32	14	11	30	12	10	0			
0.80	243	223	170	156	212	150	137	120	94	82	54	43	24	17	77	45	40	20	16	38	17	15	0			
1.00	265	246	170	159	234	152	160	143	99	89	60	50	30	23	84	51	47	26	22	45	22	20	0			
1.25	284	267	166	157	254	151	184	167	103	94	66	56	37	29	89	58	53	32	28	51	29	26	0			
1.50	298	283	161	154	269	149	203	187	105	98	71	62	43	35	92	63	59	38	34	56	34	31	0			
2.00	316	303	151	146	289	141	232	217	106	100	77	69	52	45	95	69	66	48	43	63	44	40	0			
2.50	328	317	144	140	303	135	253	239	106	101	81	75	60	53	97	74	71	55	51	69	51	48	0			
3.00	336	327	138	135	313	131	268	256	106	102	85	79	66	59	97	78	75	61	57	73	57	53	0			
4.00	349	342	131	129	327	126	291	280	107	104	89	84	74	68	99	84	81	69	66	79	65	62	0			
5.00	357	352	128	126	337	123	306	297	107	105	93	88	79	74	101	87	85	75	72	83	71	68	0			
10.00	376	372	119	119	357	117	339	334	108	107	100	97	92	89	103	96	95	88	86	92	85	82	0			
20.00	385	383	114	114	368	112	359	356	108	107	103	102	99	97	104	100	100	96	95	97	94	91	0			

Wall

K	8873	8773	8871	8771	7773	7771	7753	7553	7751	7551	7731	7331	7711	7111	5551	5531	5331	5511	5111	3331	3311	1111	0000
0.60	445	433	382	374	427	370	336	329	299	294	250	246	216	214	291	247	245	214	213	244	214	213	193
0.80	494	481	410	402	472	397	385	375	331	325	284	279	249	246	321	279	277	247	245	276	245	244	220
1.00	523	511	421	414	500	408	417	407	349	343	304	299	270	267	338	299	297	268	266	294	266	264	237
1.25	548	536	426	421	523	414	446	435	362	356	321	315	289	285	350	314	312	285	283	309	283	281	250
1.50	565	554	428	423	539	416	468	457	370	365	333	327	302	298	358	325	323	298	296	320	295	292	259
2.00	578	568	418	414	550	407	490	479	370	366	339	334	313	308	358	331	329	308	305	324	303	300	263
2.50	585	576	409	406	556	399	504	494	369	365	342	337	319	314	356	333	331	313	310	326	308	303	264
3.00	587	580	400	398	558	391	512	502	365	362	342	337	321	317	352	332	331	315	312	325	309	304	262
4.00	598	592	396	394	568	388	530	522	367	364	348	344	331	327	354	338	337	323	321	329	316	310	266
5.00	607	602	396	395	577	388	545	537	371	368	355	351	340	336	358	344	343	332	329	335	324	317	271
10.00	634	631	401	400	602	394	583	578	384	383	375	372	366	363	371	363	362	356	354	353	346	337	287
20.00	648	646	404	403	616	397	605	602	391	391	386	385	381	379	379	374	374	370	369	363	359	349	296

Working Pl.

K	8873	8773	8871	8771	7773	7771	7753	7553	7751	7551	7731	7331	7711	7111	5551	5531	5331	5511	5111	3331	3311	1111	0000
0.60	633	621	591	582	613	576	503	496	484	479	422	418	377	376	475	418	417	376	375	415	375	374	358
0.80	744	730	685	676	718	668	609	599	581	575	519	513	472	469	569	513	510	469	468	508	468	466	450
1.00	829	815	755	747	799	738	695	684	657	651	598	591	551	547	643	590	587	548	546	584	545	543	527
1.25	907	893	817	810	874	800	777	764	728	721	672	665	627	622	711	662	660	623	620	655	619	616	600
1.50	964	950	861	854	928	843	838	825	779	772	727	719	684	679	761	716	713	678	675	707	673	669	654
2.00	1000	1000	921	916	1000	905	930	916	852	847	809	801	772	765	833	796	793	764	760	785	757	751	737
2.50	1000	1000	957	953	1000	941	989	976	898	893	860	853	828	821	878	846	843	818	814	834	809	802	789
3.00	1000	1000	981	978	1000	966	1000	1000	929	924	896	890	868	861	908	881	878	856	852	868	846	838	825
4.00	1000	1000	1000	1000	1000	994	1000	1000	965	961	939	933	915	908	944	922	919	901	898	907	889	879	867
5.00	1000	1000	1000	1000	1000	1000	1000	1000	986	983	964	959	943	937	964	946	944	928	925	930	915	903	892
10.00	1000	1000	1000	1000	1000	1000	1000	1000	1000	1000	1000	1000	1000	1000	1000	996	995	986	984	977	969	953	943
20.00	1000	1000	1000	1000	1000	1000	1000	1000	1000	1000	1000	1000	1000	1000	1000	1000	1000	1000	1000	1000	999	981	970

LM53 SHR C0-C180: 1.214 SHR C90-C270: 1.214 SHR Square: 1.312



**Luminaire**

Code TC-0006-BLA  
Name JET

**Measurem.**

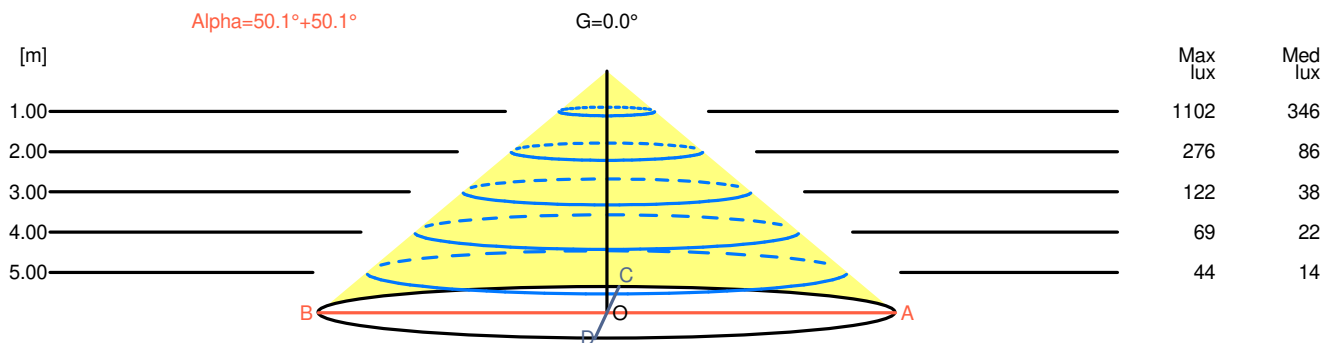
Code TC-0006-BLA  
Name JET

Luminaire Flux	2615.24 lm	Luminaire Power	29.50 W	Efficacy	88.65 lm/W	Efficiency	100.00%
Sources Flux	2615.24 lm	Maximum value	421.39 cd/klm	Position	C=0.00 G=0.00	CG	Rotosymmetrical

Width at 50.00 % of Max Intensity

H[m]	1.00	2.00	3.00	4.00	5.00	H[m]	1.00	2.00	3.00	4.00	5.00
OA	1.19	2.39	3.58	4.78	5.97	OC	1.19	2.39	3.58	4.78	5.97
OB	1.19	2.39	3.58	4.78	5.97	OD	1.19	2.39	3.58	4.78	5.97

	Luminous Intensities [ cd/klm ]									
	0	5	15	25	35	45	55	65	75	85
OA	1102.04	1096.50	1052.99	971.00	832.73	651.14	450.94	243.34	73.17	16.44
OB	1102.04	1096.50	1052.99	971.00	832.73	651.14	450.94	243.34	73.17	16.44
OC	1102.04	1096.50	1052.99	971.00	832.73	651.14	450.94	243.34	73.17	16.44
OD	1102.04	1096.50	1052.99	971.00	832.73	651.14	450.94	243.34	73.17	16.44



H[m]	D[m]	Max lux	Med lux	Alpha=50.1°+50.1°	G=0.0	
1.00	2.39	1102	346			
2.00	4.78	276	86			
3.00	7.17	122	38			
4.00	9.56	69	22			
5.00	11.95	44	14			



**Luminaire**

Code TC-0006-BLA

Name JET

**Measur.**

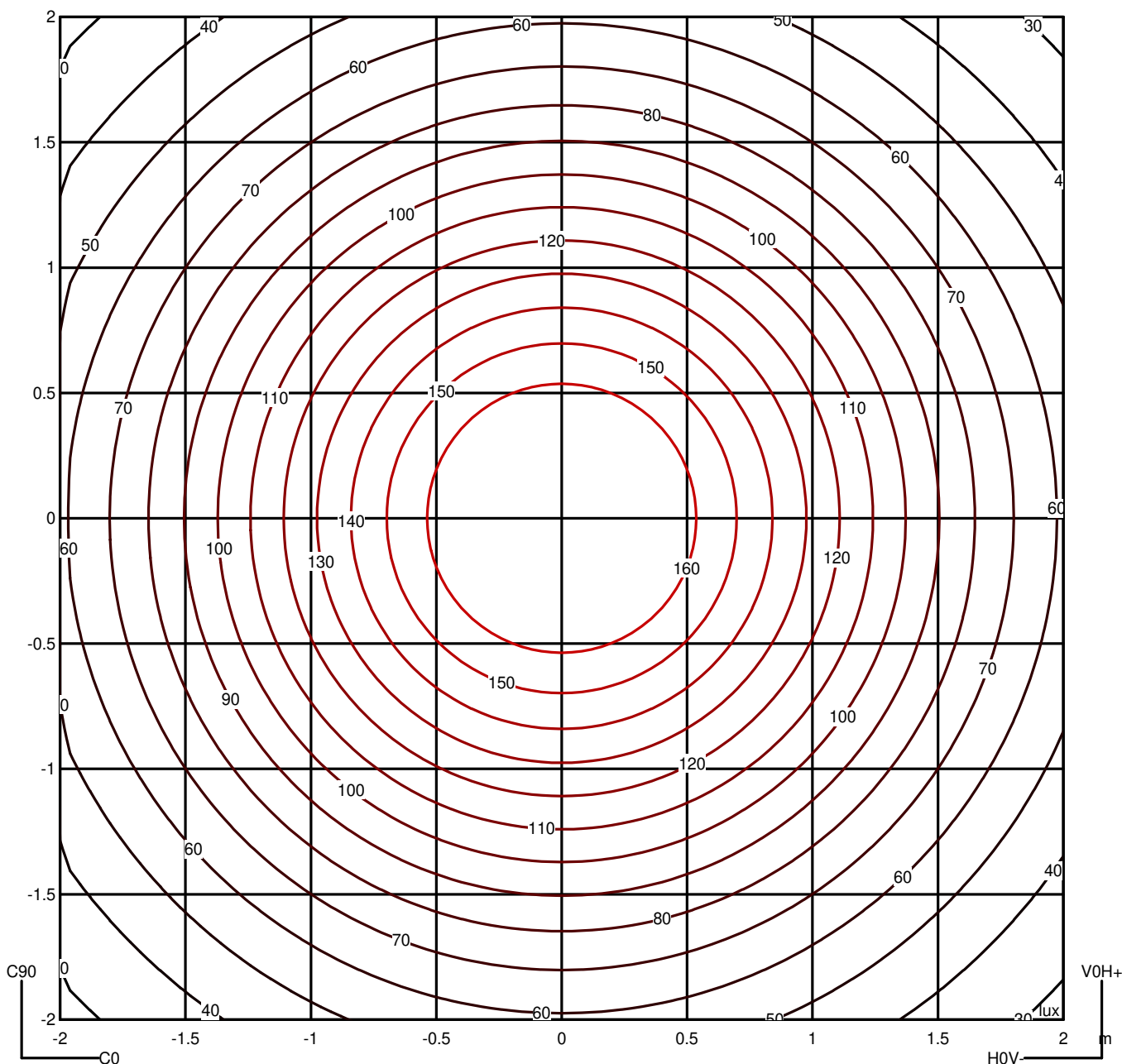
Code TC-0006-BLA

Name JET

Luminaire Flux	2615.24 lm	Luminaire Power	29.50 W	Efficacy	88.65 lm/W	Efficiency	100.00%
Sources Flux	2615.24 lm	Maximum value	421.39 cd/klm	Position	C=0.00 G=0.00	CG	Rotosymmetrical

Isolux (Floor)

Luminaire position X=0.00m Y=0.00m Z=2.50m





**Luminaire**

Code TC-0006-BLA

Name JET

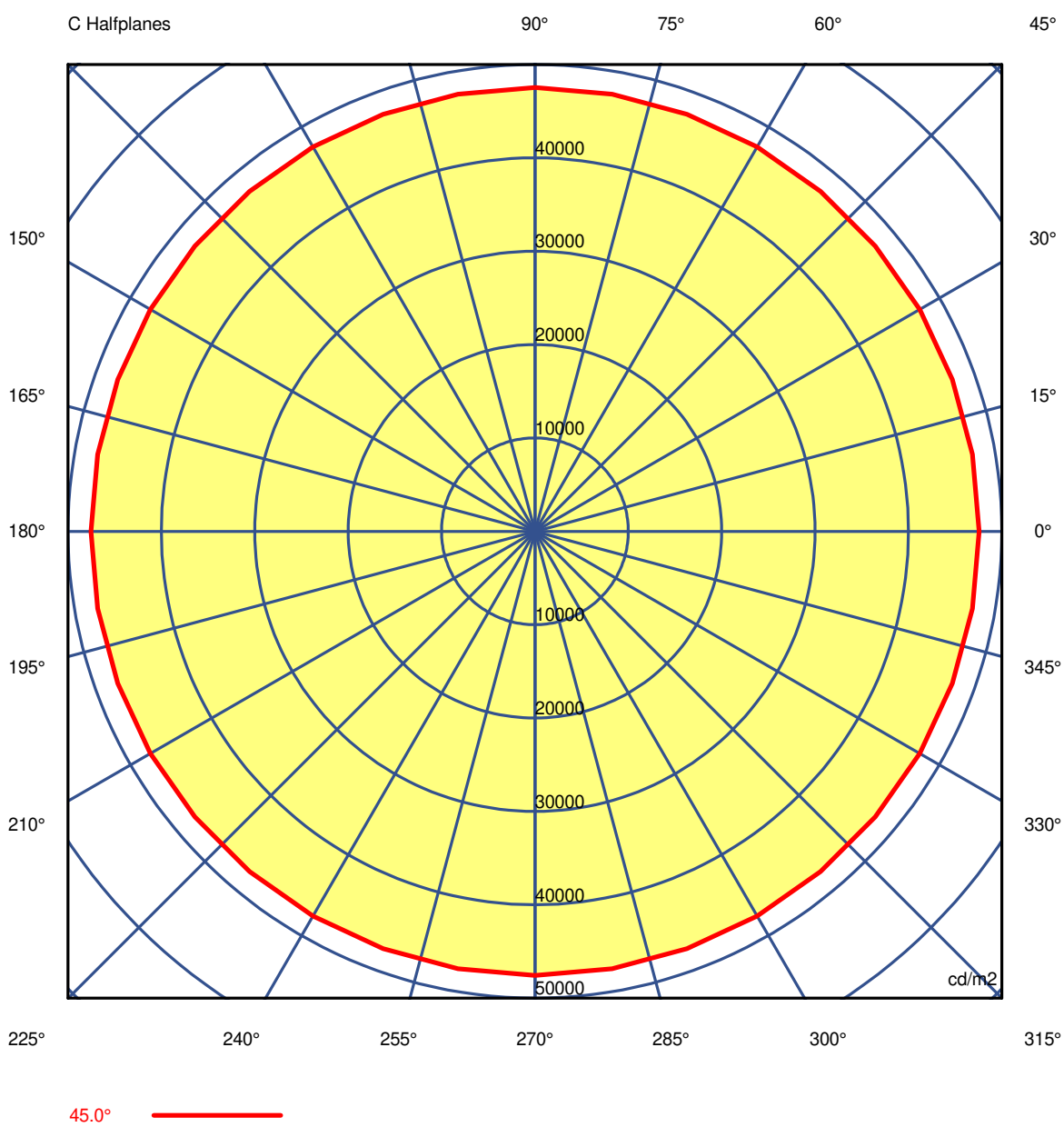
**Measurem.**

Code TC-0006-BLA

Name JET

Luminaire Flux	2615.24 lm	Luminaire Power	29.50 W	Efficacy	88.65 lm/W	Efficiency	100.00%
Sources Flux	2615.24 lm	Maximum value	421.39 cd/klm	Position	C=0.00 G=0.00	CG	Rotosymmetrical

Luminance





**Luminaire**

Code TC-0006-BLA

Name JET

**Measurement**

Code TC-0006-BLA

Name JET

Luminaire Flux	2615.24 lm	Luminaire Power	29.50 W	Efficacy	88.65 lm/W	Efficiency	100.00%
Sources Flux	2615.24 lm	Maximum value	421.39 cd/klm	Position	C=0.00 G=0.00	CG	Rotosymmetrical

**Luminance cd/m2 Table 1/3**

	C 0.00	C 10.00	C 20.00	C 30.00	C 40.00	C 50.00	C 60.00	C 70.00	C 80.00	C 90.00	C 100.00	C 110.00	C 120.00
G 0.0	56925.62	56925.62	56925.62	56925.62	56925.62	56925.62	56925.62	56925.62	56925.62	56925.62	56925.62	56925.62	56925.62
G 5.0	56855.99	56855.99	56855.99	56855.99	56855.99	56855.99	56855.99	56855.99	56855.99	56855.99	56855.99	56855.99	56855.99
G 10.0	56653.36	56653.36	56653.36	56653.36	56653.36	56653.36	56653.36	56653.36	56653.36	56653.36	56653.36	56653.36	56653.36
G 15.0	56310.76	56310.76	56310.76	56310.76	56310.76	56310.76	56310.76	56310.76	56310.76	56310.76	56310.76	56310.76	56310.76
G 20.0	55855.66	55855.66	55855.66	55855.66	55855.66	55855.66	55855.66	55855.66	55855.66	55855.66	55855.66	55855.66	55855.66
G 25.0	55342.15	55342.15	55342.15	55342.15	55342.15	55342.15	55342.15	55342.15	55342.15	55342.15	55342.15	55342.15	55342.15
G 30.0	54272.41	54272.41	54272.41	54272.41	54272.41	54272.41	54272.41	54272.41	54272.41	54272.41	54272.41	54272.41	54272.41
G 35.0	52510.90	52510.90	52510.90	52510.90	52510.90	52510.90	52510.90	52510.90	52510.90	52510.90	52510.90	52510.90	52510.90
G 40.0	50252.88	50252.88	50252.88	50252.88	50252.88	50252.88	50252.88	50252.88	50252.88	50252.88	50252.88	50252.88	50252.88
G 45.0	47566.37	47566.37	47566.37	47566.37	47566.37	47566.37	47566.37	47566.37	47566.37	47566.37	47566.37	47566.37	47566.37
G 50.0	44394.63	44394.63	44394.63	44394.63	44394.63	44394.63	44394.63	44394.63	44394.63	44394.63	44394.63	44394.63	44394.63
G 55.0	40610.59	40610.59	40610.59	40610.59	40610.59	40610.59	40610.59	40610.59	40610.59	40610.59	40610.59	40610.59	40610.59
G 60.0	35866.01	35866.01	35866.01	35866.01	35866.01	35866.01	35866.01	35866.01	35866.01	35866.01	35866.01	35866.01	35866.01
G 65.0	29742.66	29742.66	29742.66	29742.66	29742.66	29742.66	29742.66	29742.66	29742.66	29742.66	29742.66	29742.66	29742.66
G 70.0	22483.04	22483.04	22483.04	22483.04	22483.04	22483.04	22483.04	22483.04	22483.04	22483.04	22483.04	22483.04	22483.04
G 75.0	14604.10	14604.10	14604.10	14604.10	14604.10	14604.10	14604.10	14604.10	14604.10	14604.10	14604.10	14604.10	14604.10
G 80.0	10074.44	10074.44	10074.44	10074.44	10074.44	10074.44	10074.44	10074.44	10074.44	10074.44	10074.44	10074.44	10074.44
G 85.0	9746.47	9746.47	9746.47	9746.47	9746.47	9746.47	9746.47	9746.47	9746.47	9746.47	9746.47	9746.47	9746.47
G 90.0	0.00	0.00	0.00	0.00	0.00	0.00	0.00	0.00	0.00	0.00	0.00	0.00	0.00



**Luminaire**

Code TC-0006-BLA  
Name JET

**Measurement**

Code TC-0006-BLA  
Name JET

Luminaire Flux	2615.24 lm	Luminaire Power	29.50 W	Efficacy	88.65 lm/W	Efficiency	100.00%
Sources Flux	2615.24 lm	Maximum value	421.39 cd/klm	Position	C=0.00 G=0.00	CG	Rotosymmetrical

**Luminance cd/m2 Table 2/3**

	C 130.00	C 140.00	C 150.00	C 160.00	C 170.00	C 180.00	C 190.00	C 200.00	C 210.00	C 220.00	C 230.00	C 240.00	C 250.00
G 0.0	56925.62	56925.62	56925.62	56925.62	56925.62	56925.62	56925.62	56925.62	56925.62	56925.62	56925.62	56925.62	56925.62
G 5.0	56855.99	56855.99	56855.99	56855.99	56855.99	56855.99	56855.99	56855.99	56855.99	56855.99	56855.99	56855.99	56855.99
G 10.0	56653.36	56653.36	56653.36	56653.36	56653.36	56653.36	56653.36	56653.36	56653.36	56653.36	56653.36	56653.36	56653.36
G 15.0	56310.76	56310.76	56310.76	56310.76	56310.76	56310.76	56310.76	56310.76	56310.76	56310.76	56310.76	56310.76	56310.76
G 20.0	55855.66	55855.66	55855.66	55855.66	55855.66	55855.66	55855.66	55855.66	55855.66	55855.66	55855.66	55855.66	55855.66
G 25.0	55342.15	55342.15	55342.15	55342.15	55342.15	55342.15	55342.15	55342.15	55342.15	55342.15	55342.15	55342.15	55342.15
G 30.0	54272.41	54272.41	54272.41	54272.41	54272.41	54272.41	54272.41	54272.41	54272.41	54272.41	54272.41	54272.41	54272.41
G 35.0	52510.90	52510.90	52510.90	52510.90	52510.90	52510.90	52510.90	52510.90	52510.90	52510.90	52510.90	52510.90	52510.90
G 40.0	50252.88	50252.88	50252.88	50252.88	50252.88	50252.88	50252.88	50252.88	50252.88	50252.88	50252.88	50252.88	50252.88
G 45.0	47566.37	47566.37	47566.37	47566.37	47566.37	47566.37	47566.37	47566.37	47566.37	47566.37	47566.37	47566.37	47566.37
G 50.0	44394.63	44394.63	44394.63	44394.63	44394.63	44394.63	44394.63	44394.63	44394.63	44394.63	44394.63	44394.63	44394.63
G 55.0	40610.59	40610.59	40610.59	40610.59	40610.59	40610.59	40610.59	40610.59	40610.59	40610.59	40610.59	40610.59	40610.59
G 60.0	35866.01	35866.01	35866.01	35866.01	35866.01	35866.01	35866.01	35866.01	35866.01	35866.01	35866.01	35866.01	35866.01
G 65.0	29742.66	29742.66	29742.66	29742.66	29742.66	29742.66	29742.66	29742.66	29742.66	29742.66	29742.66	29742.66	29742.66
G 70.0	22483.04	22483.04	22483.04	22483.04	22483.04	22483.04	22483.04	22483.04	22483.04	22483.04	22483.04	22483.04	22483.04
G 75.0	14604.10	14604.10	14604.10	14604.10	14604.10	14604.10	14604.10	14604.10	14604.10	14604.10	14604.10	14604.10	14604.10
G 80.0	10074.44	10074.44	10074.44	10074.44	10074.44	10074.44	10074.44	10074.44	10074.44	10074.44	10074.44	10074.44	10074.44
G 85.0	9746.47	9746.47	9746.47	9746.47	9746.47	9746.47	9746.47	9746.47	9746.47	9746.47	9746.47	9746.47	9746.47
G 90.0	0.00	0.00	0.00	0.00	0.00	0.00	0.00	0.00	0.00	0.00	0.00	0.00	0.00



**Luminaire**

Code TC-0006-BLA  
Name JET

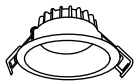
**Measur.**

Code TC-0006-BLA  
Name JET

Luminaire Flux	2615.24 lm	Luminaire Power	29.50 W	Efficacy	88.65 lm/W	Efficiency	100.00%
Sources Flux	2615.24 lm	Maximum value	421.39 cd/klm	Position	C=0.00 G=0.00	CG	Rotosymmetrical

**Luminance cd/m2 Table 3/3**

	C 260.00	C 270.00	C 280.00	C 290.00	C 300.00	C 310.00	C 320.00	C 330.00	C 340.00	C 350.00
G 0.0	56925.62	56925.62	56925.62	56925.62	56925.62	56925.62	56925.62	56925.62	56925.62	56925.62
G 5.0	56855.99	56855.99	56855.99	56855.99	56855.99	56855.99	56855.99	56855.99	56855.99	56855.99
G 10.0	56653.36	56653.36	56653.36	56653.36	56653.36	56653.36	56653.36	56653.36	56653.36	56653.36
G 15.0	56310.76	56310.76	56310.76	56310.76	56310.76	56310.76	56310.76	56310.76	56310.76	56310.76
G 20.0	55855.66	55855.66	55855.66	55855.66	55855.66	55855.66	55855.66	55855.66	55855.66	55855.66
G 25.0	55342.15	55342.15	55342.15	55342.15	55342.15	55342.15	55342.15	55342.15	55342.15	55342.15
G 30.0	54272.41	54272.41	54272.41	54272.41	54272.41	54272.41	54272.41	54272.41	54272.41	54272.41
G 35.0	52510.90	52510.90	52510.90	52510.90	52510.90	52510.90	52510.90	52510.90	52510.90	52510.90
G 40.0	50252.88	50252.88	50252.88	50252.88	50252.88	50252.88	50252.88	50252.88	50252.88	50252.88
G 45.0	47566.37	47566.37	47566.37	47566.37	47566.37	47566.37	47566.37	47566.37	47566.37	47566.37
G 50.0	44394.63	44394.63	44394.63	44394.63	44394.63	44394.63	44394.63	44394.63	44394.63	44394.63
G 55.0	40610.59	40610.59	40610.59	40610.59	40610.59	40610.59	40610.59	40610.59	40610.59	40610.59
G 60.0	35866.01	35866.01	35866.01	35866.01	35866.01	35866.01	35866.01	35866.01	35866.01	35866.01
G 65.0	29742.66	29742.66	29742.66	29742.66	29742.66	29742.66	29742.66	29742.66	29742.66	29742.66
G 70.0	22483.04	22483.04	22483.04	22483.04	22483.04	22483.04	22483.04	22483.04	22483.04	22483.04
G 75.0	14604.10	14604.10	14604.10	14604.10	14604.10	14604.10	14604.10	14604.10	14604.10	14604.10
G 80.0	10074.44	10074.44	10074.44	10074.44	10074.44	10074.44	10074.44	10074.44	10074.44	10074.44
G 85.0	9746.47	9746.47	9746.47	9746.47	9746.47	9746.47	9746.47	9746.47	9746.47	9746.47
G 90.0	0.00	0.00	0.00	0.00	0.00	0.00	0.00	0.00	0.00	0.00



# Jet

TC-0000 TC-0001 TC-0002 TC-0003 TC-0004 TC-0005 TC-0006 TC-0007

# FOR LIGHT



TC-0000  
TC-0001



Ø75 mm

TC-0002  
TC-0003



Ø105 mm

TC-0004  
TC-0005

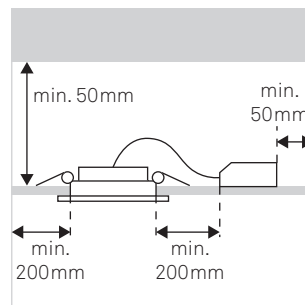


Ø150 mm

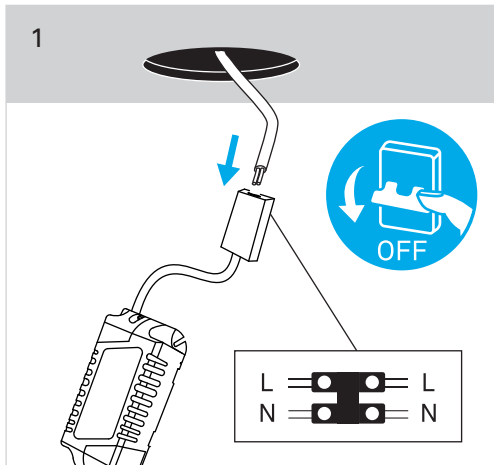
TC-0006  
TC-0007



Ø205 mm



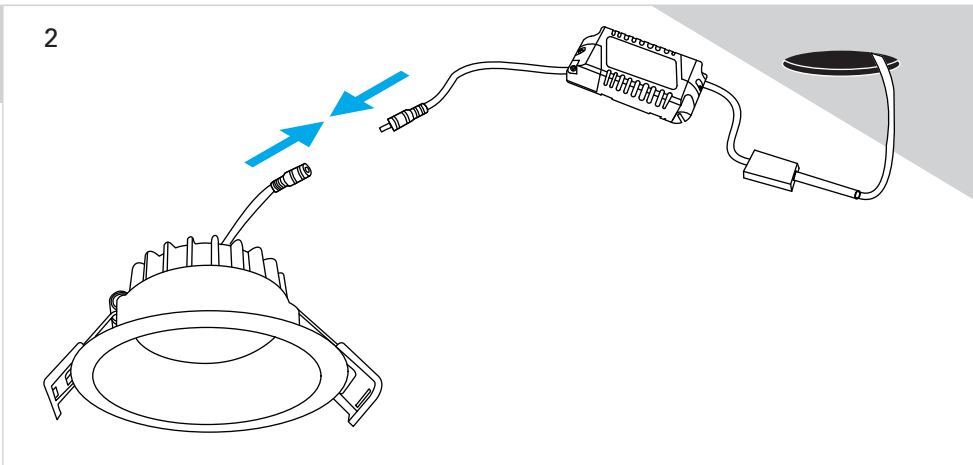
1



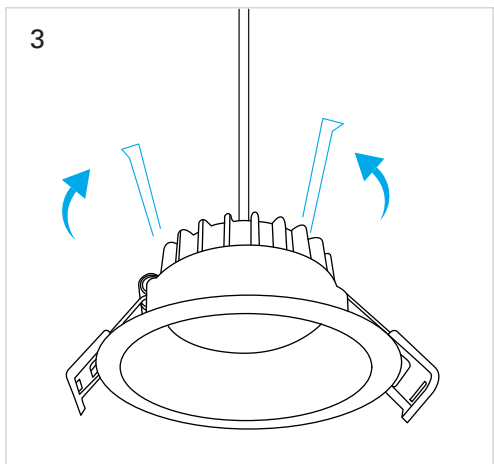
OFF

L L  
N N

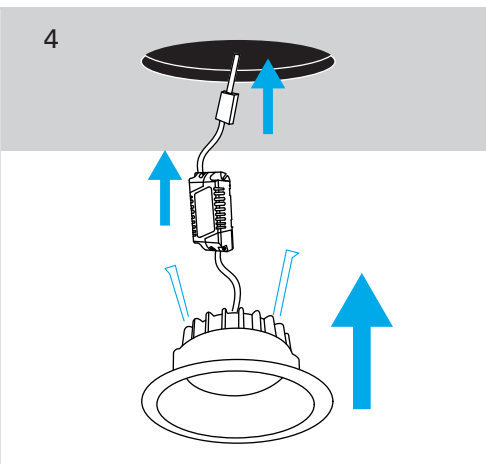
2



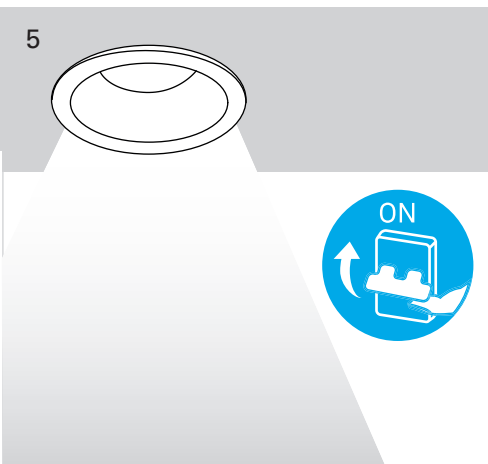
3



4



5



ON

