



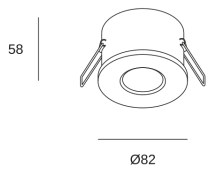
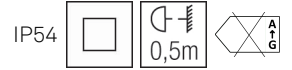
Minor



## TC-1200-BLA

Downlight IP54 Minor GU10/G5.3 8 Blanco

### CARACTERÍSTICAS TÉCNICAS



Potencia total luminaria : 8W

Material de la estructura : Aluminio

Acabado estructura : Blanco

Material del difusor : Cristal

Acabado difusor : Transparente

Medida máx. de la bombilla : 55/50 mm

Bombilla recomendada : GU10/G5.3

Equipo necesario no incluido :

Voltaje / Frecuencia : 12V/50-60Hz

Garantía : 5 Años

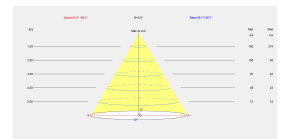
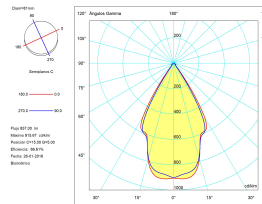
Luminaria fácilmente reciclable



### CARACTERÍSTICAS LUMINOTÉCNICAS

Portalámparas	Cantidad	Potencia fuente de luz (W)
GU10/G5.3	1	Potencia máx. 8W

UGR	
S=0.250	
Techo / Cavidad	0.7
Paredes	0.5
Plano De Trabajo	0.2
Dimensiones de la habitación	X=4H, Y=8H
UGR Transversal	19.5
UGR Longitudinal	18.8



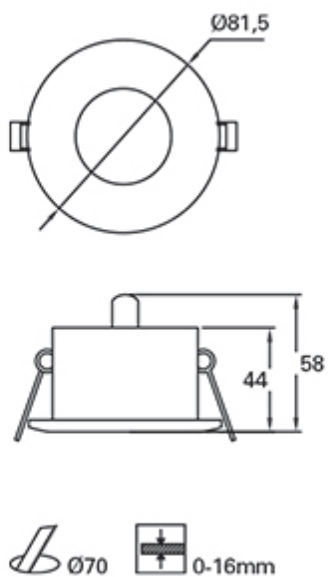
### LOGÍSTICA

Peso neto (Kg): 0.21

Peso embalado (Kg): 0.24

Embalaje: 90mm x 90mm x 70mm





**Luminaire**

Code TC-1200-BLA  
 Name Downlight for light 1x50W GU5.3

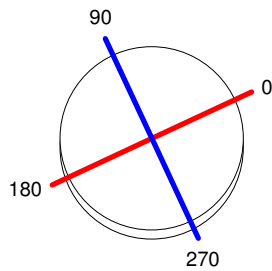
**Measur.**

Code TC-1200-BL  
 Name Downlight for light 1x50W GU5.3

Luminaire Flux	570.80 lm	Luminaire Power	50.00 W	Efficacy	11.42 lm/W	Efficiency	66.61%
Lamps Flux	857.00 lm	Maximum value	784.73 cd	Position	C=15.00 G=5.00	CG	Double Symmetrical
Round Luminaire Round Luminous Area	Diam. 81 mm Diam. 40 mm	Height	58 mm	Height	1 mm		
Horizontal Luminous Area Emitting area on Plane 0° Emitting area on Plane 90°	0.001257 m2 0.000040 m2 0.000040 m2	Emitting area on Plane 180° Emitting area on Plane 270° Glare area at 76°				0.000040 m2 0.000040 m2 0.000343 m2	
Coordinate system Date Measurement Distance	CG 26-01-2016 0.00	Symmetry Type Maximum Gamma Angle Measurement Flux				Double Symmetrical 90 857.00 lm	
Operator Temperature Humidity Notes	Asselum 25.00 °C 60.00 %	Source Voltage [V] Source current [A] Photocell					

Line		Code	Luminaire Lamps		Flux [lm]	Pow. [W]	Q.ty
		46870VWFL	Name	46870VWFL - 50.00 W	857.00	50.00	1
C.I.E.	95 98 100 100 67		D DIN 5040		A60		
F UTE	0.67 A		B NBN		BZ 1		

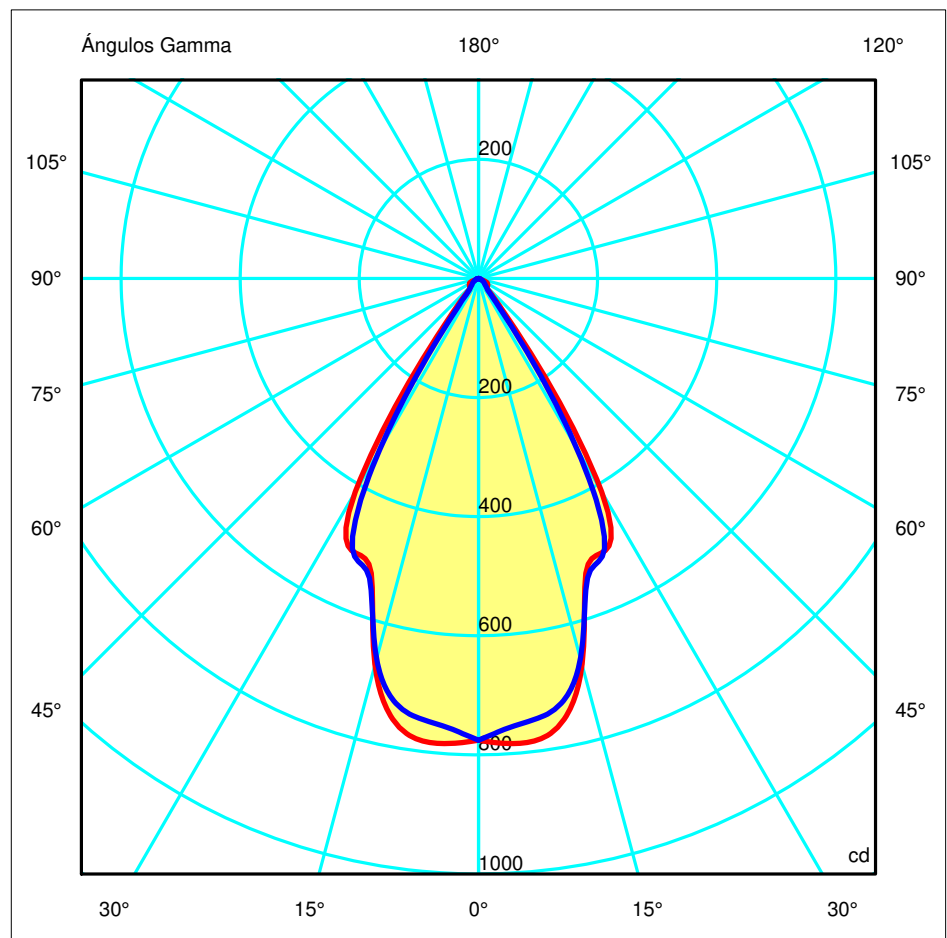
Diam=81mm



Semiplanos C



ULOR	0.00 %
DLOR	66.61 %
RN	0.00 %



**Luminaire**

Code TC-1200-BLA  
 Name Downlight for light 1x50W GU5.3

**Measur.**

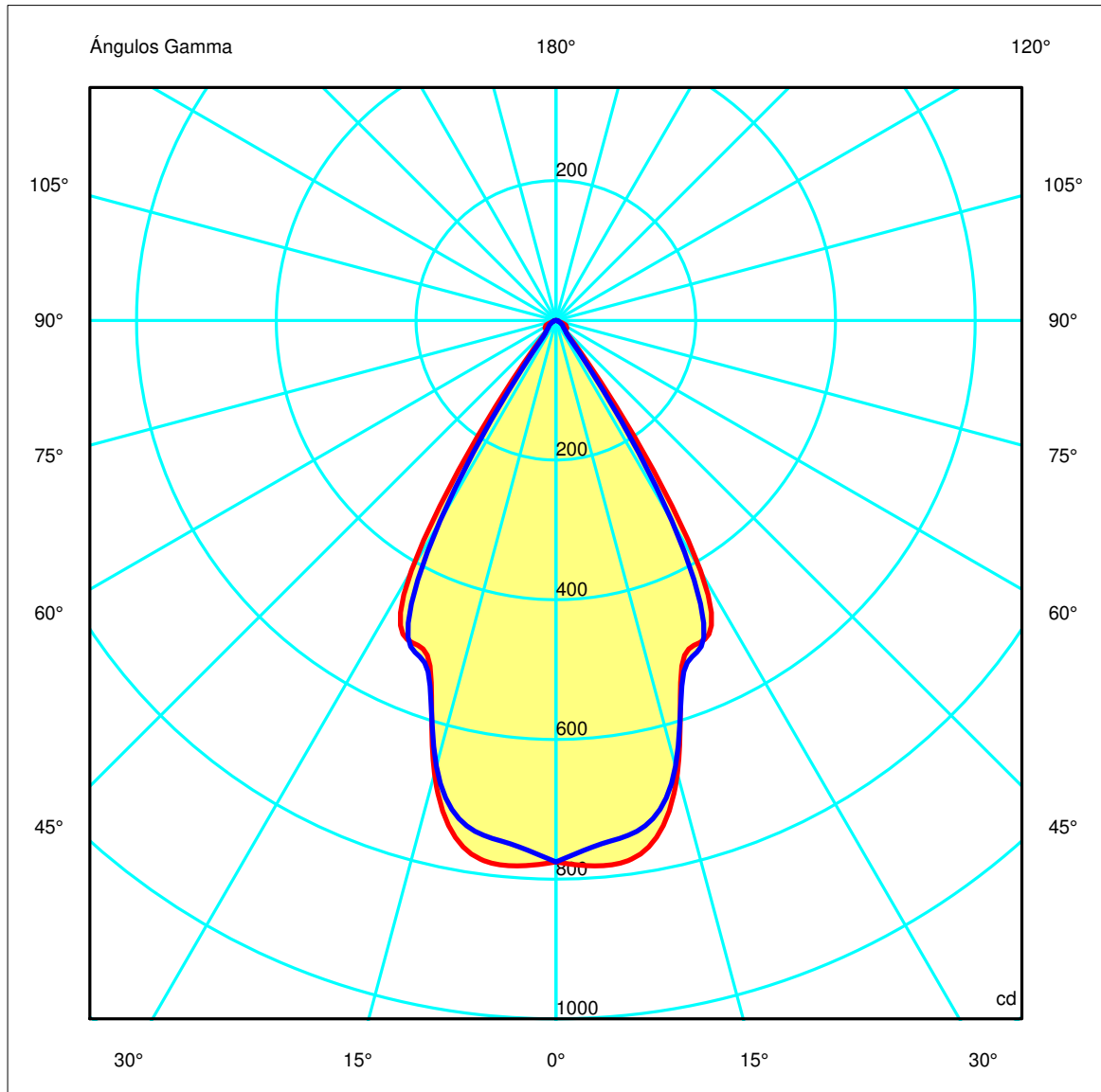
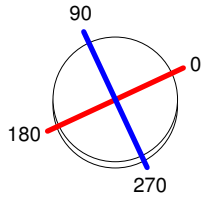
Code TC-1200-BL  
 Name Downlight for light 1x50W GU5.3

Luminaire Flux	570.80 lm	Luminaire Power	50.00 W	Efficacy	11.42 lm/W	Efficiency	66.61%
Lamps Flux	857.00 lm	Maximum value	784.73 cd	Position	C=15.00 G=5.00	CG	Double Symmetrical

Diam=81mm

Semiplanos C

180.0 ——— 0.0  
 270.0 ——— 90.0



**Luminaire**

Code TC-1200-BLA  
Name Downlight for light 1x50W GU5.3

**Measur.**

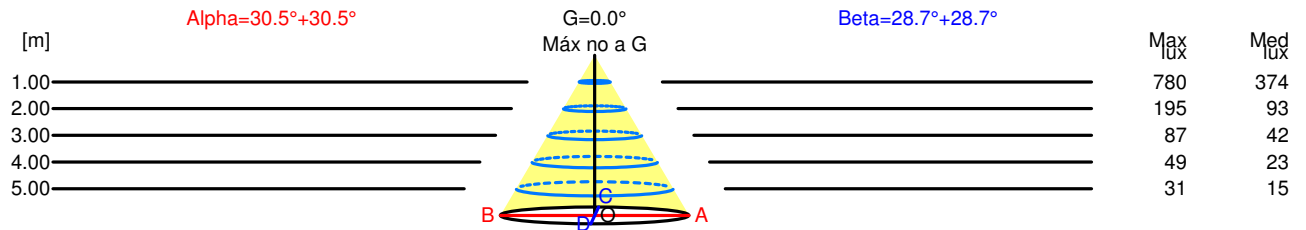
Code TC-1200-BL  
Name Downlight for light 1x50W GU5.3

Luminaire Flux	570.80 lm	Luminaire Power	50.00 W	Efficacy	11.42 lm/W	Efficiency	66.61%
Lamps Flux	857.00 lm	Maximum value	784.73 cd	Position	C=15.00 G=5.00	CG	Double Symmetrical

Width at 50.00 % of Max Intensity

H[m]	1.00	2.00	3.00	4.00	5.00	H[m]	1.00	2.00	3.00	4.00	5.00
OA	0.59	1.18	1.77	2.35	2.94	OC	0.55	1.10	1.64	2.19	2.74
OB	0.59	1.18	1.77	2.35	2.94	OD	0.55	1.10	1.64	2.19	2.74

	Luminous Intensities [ cd]									
	0	5	15	25	35	45	55	65	75	85
OA	775.23	783.48	671.32	503.93	149.72	18.99	18.99	14.92	2.93	0.66
OB	775.23	783.48	671.32	503.93	149.72	18.99	18.99	14.92	2.93	0.66
OC	775.23	752.08	661.05	500.63	82.99	16.60	10.83	6.16	2.45	0.35
OD	775.23	752.08	661.05	500.63	82.99	16.60	10.83	6.16	2.45	0.35



H[m]	D[m]	Max lux	Med lux	Alpha=30.5°+30.5°	G=0.0 Máx no a G	
1.00	1.18	780	374			
2.00	2.35	195	93			
3.00	3.53	87	42			
4.00	4.71	49	23			
5.00	5.88	31	15			

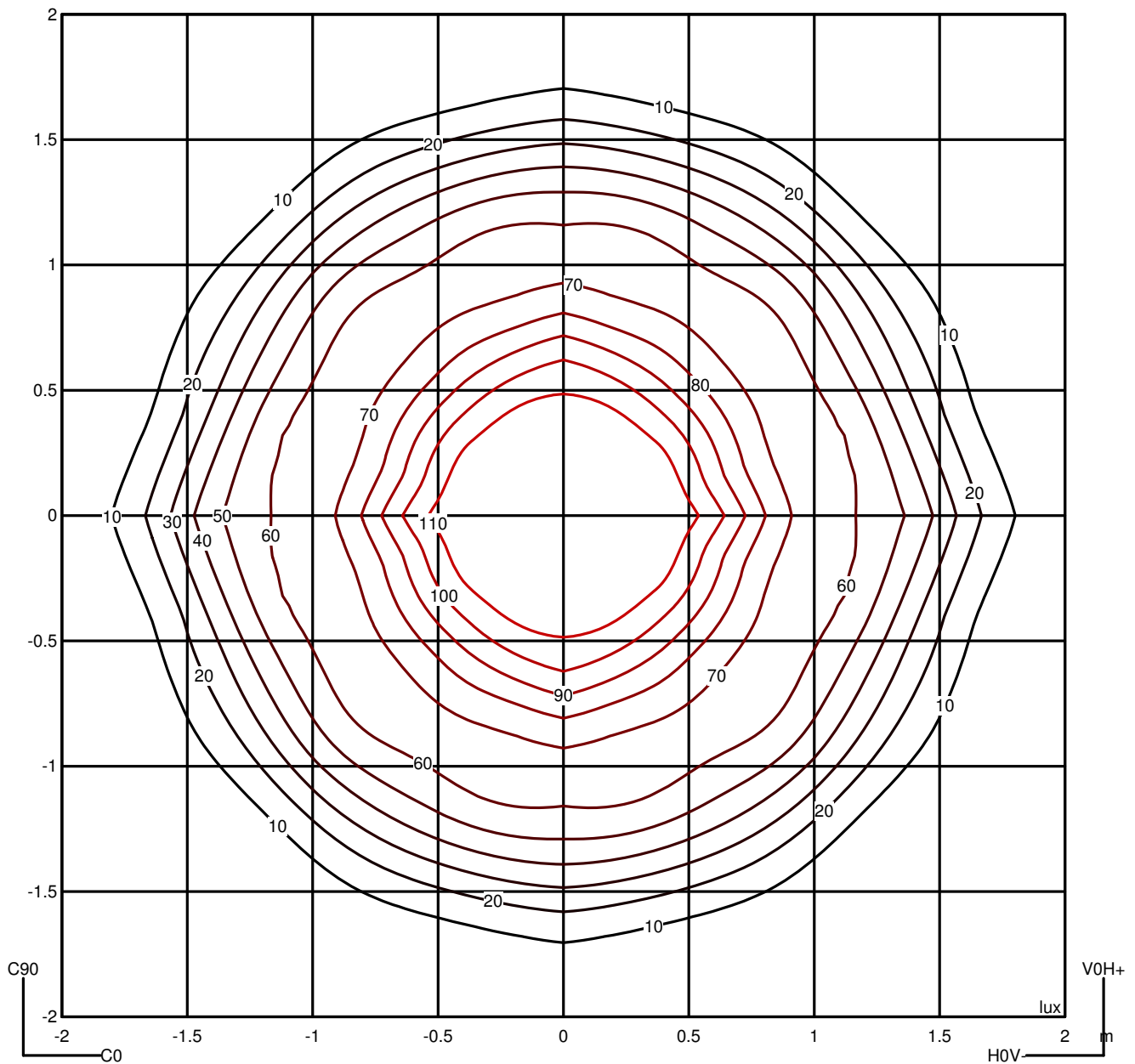
H[m]	D[m]	Max lux	Med lux	Beta=28.7°+28.7°	G=0.0 Máx no a G	
1.00	1.10	780	374			
2.00	2.19	195	93			
3.00	3.29	87	42			
4.00	4.38	49	23			
5.00	5.48	31	15			

**Luminaire**  
 Code TC-1200-BLA  
 Name Downlight for light 1x50W GU5.3  
**Measur.**  
 Code TC-1200-BL  
 Name Downlight for light 1x50W GU5.3

Luminaire Flux	570.80 lm	Luminaire Power	50.00 W	Efficacy	11.42 lm/W	Efficiency	66.61%
Lamps Flux	857.00 lm	Maximum value	784.73 cd	Position	C=15.00 G=5.00	CG	Double Symmetrical

Isolux (Floor)

Luminaire position X=0.00m Y=0.00m Z=2.50m

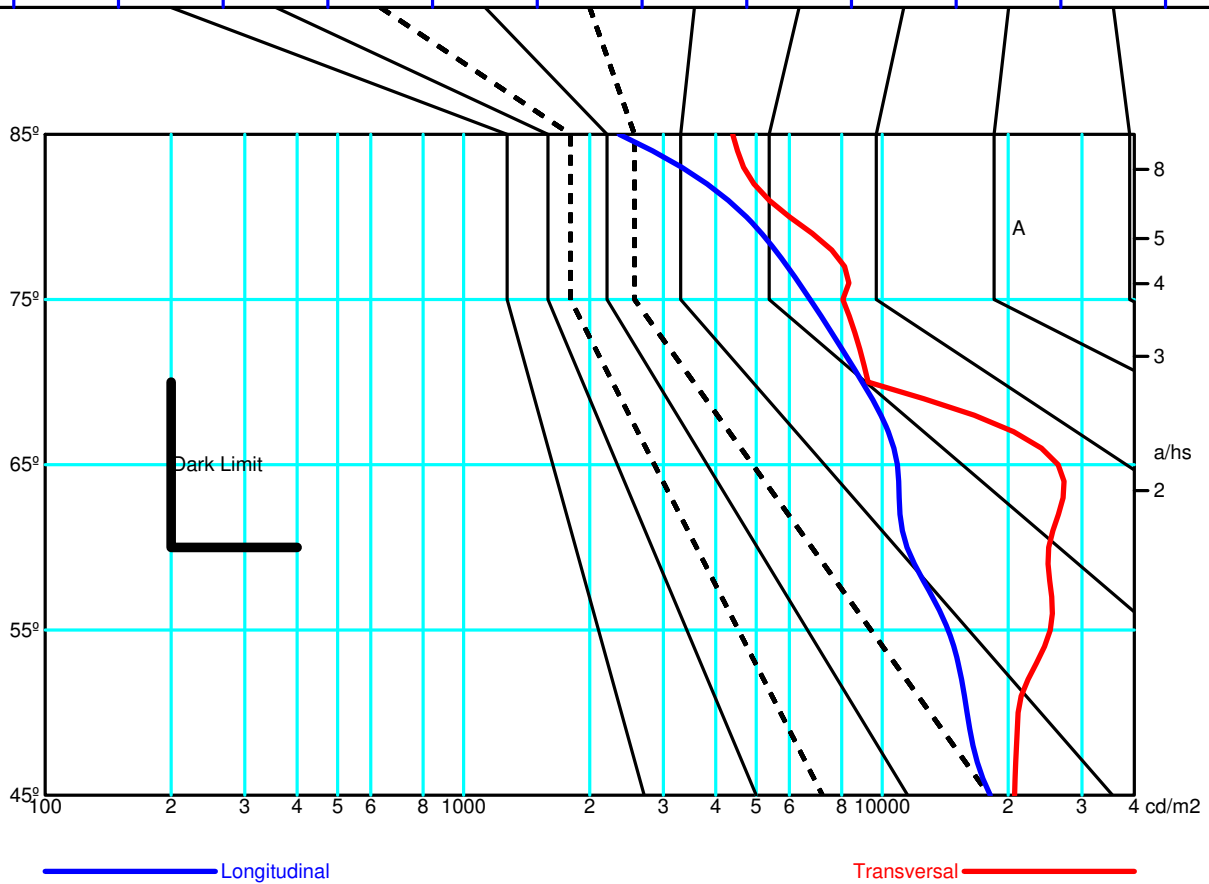


**Luminaire**  
 Code TC-1200-BLA  
 Name Downlight for light 1x50W GU5.3  
**Measurerm.**  
 Code TC-1200-BL  
 Name Downlight for light 1x50W GU5.3

Luminaire Flux	570.80 lm	Luminaire Power	50.00 W	Efficacy	11.42 lm/W	Efficiency	66.61%
Lamps Flux	857.00 lm	Maximum value	784.73 cd	Position	C=15.00 G=5.00	CG	Double Symmetrical

		Average Luminance [cd/m <sup>2</sup> ]									
		45°	50°	55°	60°	65°	70°	75°	80°	85°	
0.0°	20707	21118	25202	24986	26305	9257	8050	6003	4391	---	
90.0°	18109	15947	14372	11457	10866	8964	6727	4737	2353	---	

Flujo montado o vista longitudinal												
		Iluminancia (lx)										
A	A	2000	1000	750	500		<300					1.15
B	1		2000	1500	1000	750	500	<300				1.5
C					2000		1000	500	<300			1.85
D	2						2000	1000	500	<300		2.2
E	3							2000	1000	500	<300	2.55



**Luminaire**

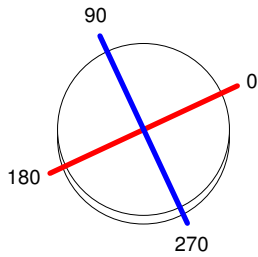
Code TC-1200-BLA  
 Name Downlight for light 1x50W GU5.3

**Measurem.**

Code TC-1200-BL  
 Name Downlight for light 1x50W GU5.3

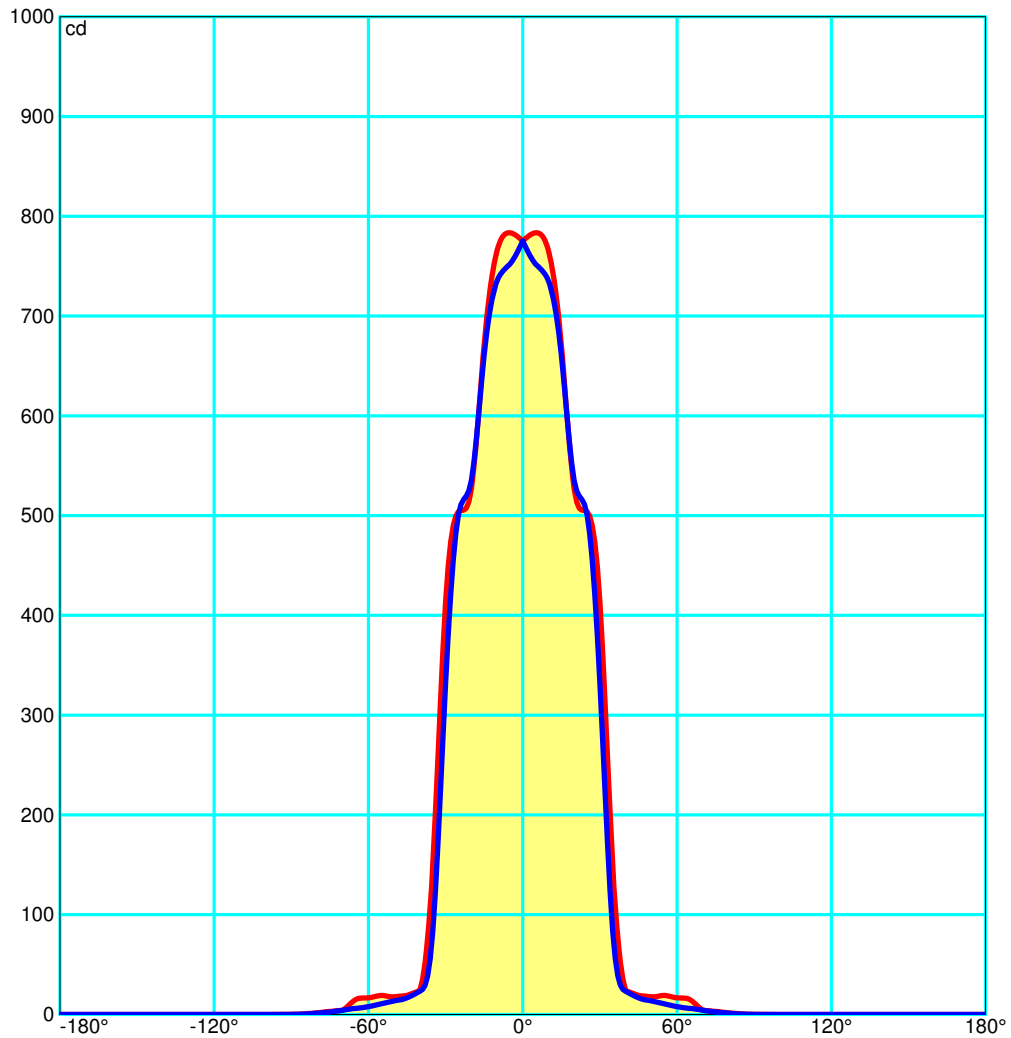
Luminaire Flux	570.80 lm	Luminaire Power	50.00 W	Efficacy	11.42 lm/W	Efficiency	66.61%
Lamps Flux	857.00 lm	Maximum value	784.73 cd	Position	C=15.00 G=5.00	CG	Double Symmetrical

Diam=81mm



Semiplanos C

180.0 ———— 0.0  
 270.0 ———— 90.0





**Luminaire**

Code TC-1200-BLA  
Name Downlight for light 1x50W GU5.3

**Measurerm.**

Code TC-1200-BL  
Name Downlight for light 1x50W GU5.3

Luminaire Flux	570.80 lm	Luminaire Power	50.00 W	Efficacy	11.42 lm/W	Efficiency	66.61%
Lamps Flux	857.00 lm	Maximum value	784.73 cd	Position	C=15.00 G=5.00	CG	Double Symmetrical

**UGR**  
S = 0.250

Reflectancies										
Ceiling/Cavity	0.7	0.7	0.5	0.5	0.3	0.7	0.7	0.5	0.5	0.3
Walls	0.5	0.3	0.5	0.3	0.3	0.5	0.3	0.5	0.3	0.3
WorkingPlane	0.2	0.2	0.2	0.2	0.2	0.2	0.2	0.2	0.2	0.2
RoomDimensions	ViewedCrosswise					ViewedEndwise				
x=2H y=2H	18.9	19.6	19.1	19.8	19.2	18.1	18.8	18.3	19.0	19.2
x=2H y=3H	19.2	19.8	19.5	20.1	19.4	18.4	19.0	18.6	19.2	19.4
x=2H y=4H	19.2	19.8	19.5	20.1	19.5	18.4	19.0	18.7	19.3	19.5
x=2H y=6H	19.3	19.8	19.6	20.1	19.5	18.5	19.0	18.8	19.3	19.5
x=2H y=8H	19.2	19.8	19.6	20.1	19.5	18.4	18.9	18.8	19.2	19.5
x=2H y=12H	19.3	19.7	19.6	20.0	19.5	18.4	18.9	18.8	19.2	19.5
x=4H y=2H	18.9	19.4	19.1	19.7	19.2	18.1	18.7	18.4	18.9	19.2
x=4H y=3H	19.3	19.7	19.6	20.1	19.6	18.5	19.0	18.9	19.3	19.6
x=4H y=4H	19.3	19.8	19.7	20.1	19.7	18.6	19.0	19.0	19.4	19.7
x=4H y=6H	19.4	19.8	19.8	20.1	19.8	18.7	19.0	19.1	19.4	19.8
x=4H y=8H	19.4	19.7	19.8	20.1	19.8	18.7	19.0	19.1	19.4	19.8
x=4H y=12H	19.4	19.7	19.8	20.0	19.7	18.7	18.9	19.1	19.3	19.7
x=8H y=4H	19.3	19.6	19.7	20.0	19.7	18.6	18.9	19.0	19.3	19.7
x=8H y=6H	19.4	19.6	19.9	20.1	19.8	18.7	19.0	19.2	19.4	19.8
x=8H y=8H	19.4	19.6	19.9	20.1	19.8	18.7	18.9	19.2	19.4	19.8
x=8H y=12H	19.4	19.5	19.9	20.0	19.8	18.7	18.9	19.2	19.3	19.8
x=12H y=4H	19.3	19.6	19.7	20.0	19.7	18.6	18.9	19.0	19.3	19.7
x=12H y=6H	19.4	19.6	19.8	20.0	19.8	18.7	18.9	19.1	19.3	19.8
x=12H y=8H	19.4	19.5	19.9	20.0	19.8	18.7	18.9	19.2	19.3	19.8

**Luminaire**

Code TC-1200-BLA  
Name Downlight for light 1x50W GU5.3

**Measurment**

Code TC-1200-BL  
Name Downlight for light 1x50W GU5.3

Luminaire Flux	570.80 lm	Luminaire Power	50.00 W	Efficacy	11.42 lm/W	Efficiency	66.61%
Lamps Flux	857.00 lm	Maximum value	784.73 cd	Position	C=15.00 G=5.00	CG	Double Symmetrical

Flujo Total=857.00 Flujo Luminaria=570.80

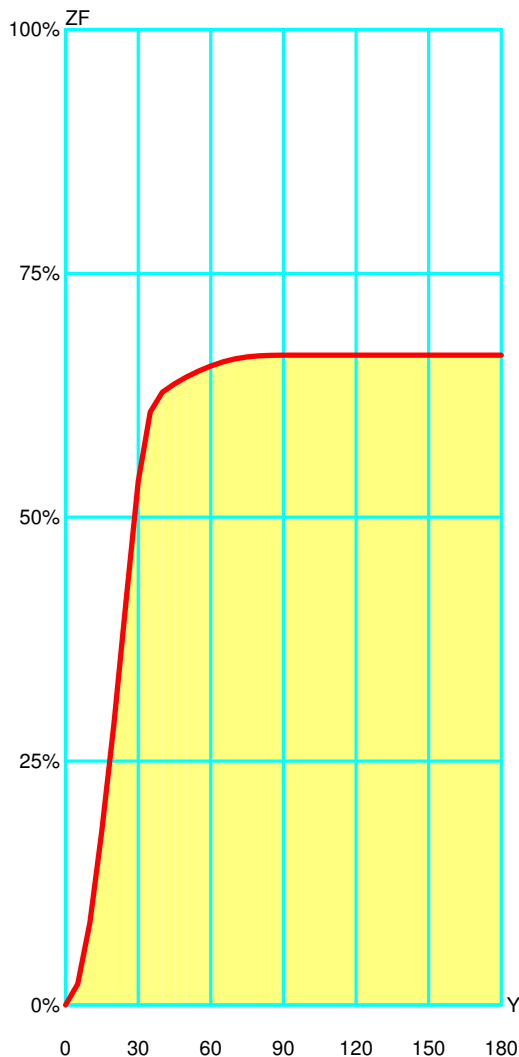
RI	0.60	0.80	1.00	1.25	1.50	2.00	2.50	3.00	4.00	5.00	10.00	20.00
DRR	0.70	0.75	0.80	0.83	0.86	0.91	0.94	0.96	0.98	0.99	1.01	1.02
RC	-	-	-	-	-	-	-	-	-	-	-	-

Flujo Zonal por 1000 Lúmenes

Y°	10	20	30	40	50	60	70	80	90	100	110	120	130	140	150	160	170	180
ZF(Y)	84	289	537	628	644	655	662	665	666	666	666	666	666	666	666	666	666	666

Códigos de Flujo C.I.E.  
95 98 100 100 67

C.I.E.	-/-/-/-/-/-/-/-/-/-	LOR	66.60501 %
D DIN 5040	A60	ULOR	0.00000 %
F UTE	0.67 A	DLOR	66.60501 %
B NBN	BZ 1	UFF	0.00000 %
RN	0.00000 %	DFF	100.00000 %
BLF	1.0	FFR	0.00000 %



Gamma °	Flujo Zonal			
	Flujo	Suma lm	Flujo [%]	Suma [%]
0°	0.00	0.00	0.00%	0.00 %
5°	21.51	21.51	3.23 %	3.23 %
10°	62.88	84.38	9.44 %	12.67 %
15°	94.72	179.11	14.22 %	26.89 %
20°	110.33	289.44	16.56 %	43.46 %
25°	124.69	414.12	18.72 %	62.18 %
30°	122.76	536.88	18.43 %	80.61 %
35°	71.00	607.88	10.66 %	91.27 %
40°	20.38	628.25	3.06 %	94.33 %
45°	8.39	636.65	1.26 %	95.59 %
50°	7.08	643.73	1.06 %	96.65 %
55°	6.19	649.92	0.93 %	97.58 %
60°	5.06	654.98	0.76 %	98.34 %
65°	4.20	659.18	0.63 %	98.97 %
70°	3.18	662.36	0.48 %	99.45 %
75°	1.97	664.33	0.30 %	99.74 %
80°	1.14	665.47	0.17 %	99.91 %
85°	0.48	665.95	0.07 %	99.99 %
90°	0.10	666.05	0.01 %	100.00 %
95°	0.00	666.05	0.00 %	100.00 %
100°	0.00	666.05	0.00 %	100.00 %
105°	0.00	666.05	0.00 %	100.00 %
110°	0.00	666.05	0.00 %	100.00 %
115°	0.00	666.05	0.00 %	100.00 %
120°	0.00	666.05	0.00 %	100.00 %
125°	0.00	666.05	0.00 %	100.00 %
130°	0.00	666.05	0.00 %	100.00 %
135°	0.00	666.05	0.00 %	100.00 %
140°	0.00	666.05	0.00 %	100.00 %
145°	0.00	666.05	0.00 %	100.00 %
150°	0.00	666.05	0.00 %	100.00 %
155°	0.00	666.05	0.00 %	100.00 %
160°	0.00	666.05	0.00 %	100.00 %
165°	0.00	666.05	0.00 %	100.00 %
170°	0.00	666.05	0.00 %	100.00 %
175°	0.00	666.05	0.00 %	100.00 %
180°	0.00	666.05	0.00 %	100.00 %

**Luminaire**

Code TC-1200-BLA  
Name Downlight for light 1x50W GU5.3

**Measurment.**

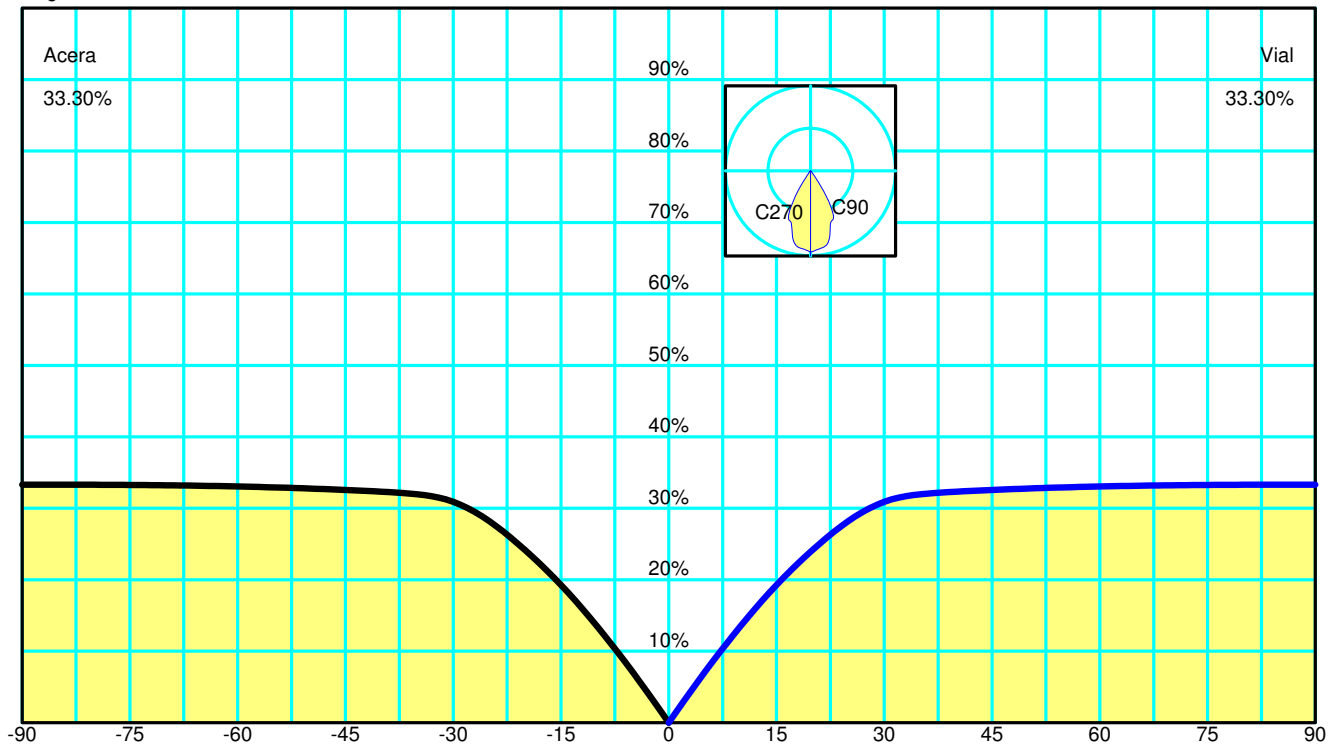
Code TC-1200-BL  
Name Downlight for light 1x50W GU5.3

Luminaire Flux	570.80 lm	Luminaire Power	50.00 W	Efficacy	11.42 lm/W	Efficiency	66.61%
Lamps Flux	857.00 lm	Maximum value	784.73 cd	Position	C=15.00 G=5.00	CG	Double Symmetrical

Pavement			Road		
Piano	0	0.00%	Piano	0	0.00%
Piano	-5	7.04%	Piano	5	7.04%
Piano	-10	13.52%	Piano	10	13.52%
Piano	-15	19.26%	Piano	15	19.26%
Piano	-20	24.17%	Piano	20	24.17%
Piano	-25	28.21%	Piano	25	28.21%
Piano	-30	30.91%	Piano	30	30.91%
Piano	-35	31.96%	Piano	35	31.96%
Piano	-40	32.33%	Piano	40	32.33%
Piano	-45	32.57%	Piano	45	32.57%
Piano	-50	32.77%	Piano	50	32.77%
Piano	-55	32.93%	Piano	55	32.93%
Piano	-60	33.05%	Piano	60	33.05%
Piano	-65	33.15%	Piano	65	33.15%
Piano	-70	33.22%	Piano	70	33.22%
Piano	-75	33.27%	Piano	75	33.27%
Piano	-80	33.29%	Piano	80	33.29%
Piano	-85	33.30%	Piano	85	33.30%
Piano	-90	33.30%	Piano	90	33.30%

Ángulo de Inclinación = 0.0

DLOR = 66.61%



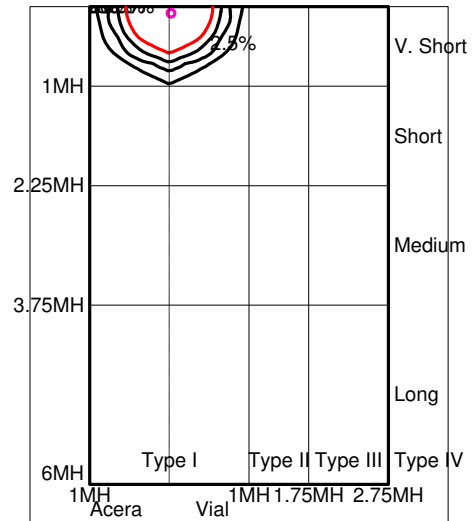
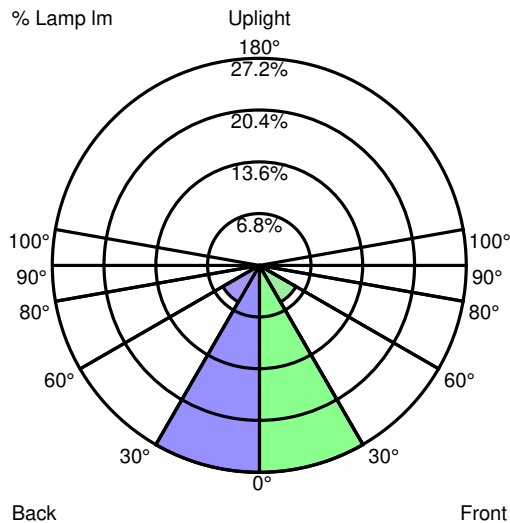
Spread	12.6° Estrecho	DLOR	66.60501 %
Throw	5.9° Corto	ULOR	0.00000 %
SLI (deslumbramiento)	Concentrado	Rendimiento	66.60501 %
Cutoff CIE	Cutoff - Max: C=15.0° Gamma=5.0°	RN	0.00000 %
Cutoff lesna	Cutoff	Clase de Intensidad Luminosa	G5
DIN5044	KB1	Índice de Deslumbramiento	D6

IESNA Type VS Very Short Quadrilateral Symmetry

**Luminaire**  
 Code TC-1200-BLA  
 Name Downlight for light 1x50W GU5.3  
**Measurement**  
 Code TC-1200-BL  
 Name Downlight for light 1x50W GU5.3

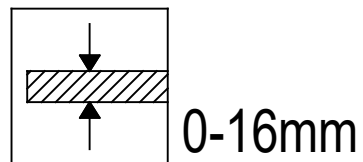
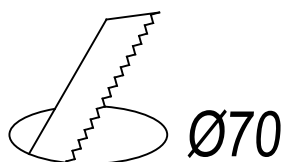
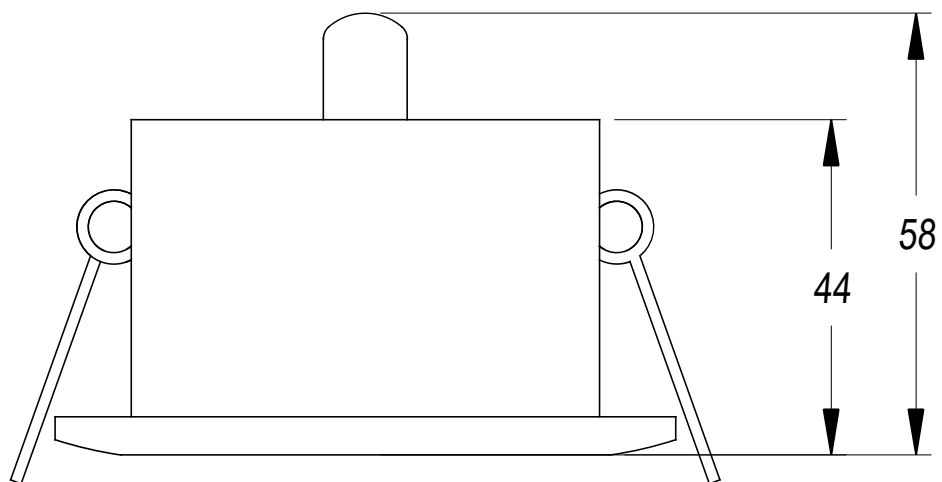
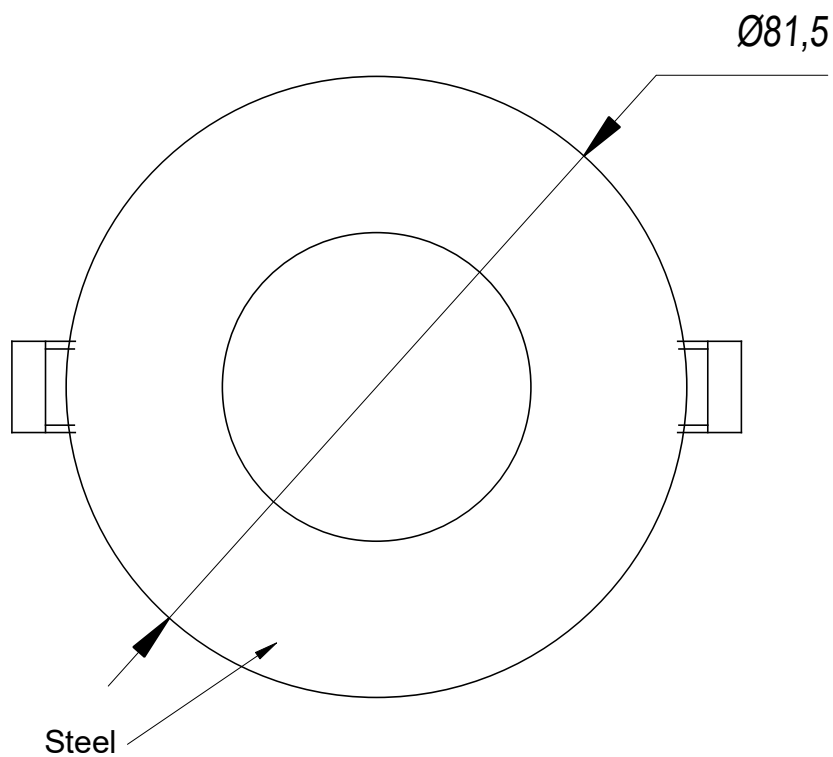
Luminaire Flux	570.80 lm	Luminaire Power	50.00 W	Efficacy	11.42 lm/W	Efficiency	66.61%
Lamps Flux	857.00 lm	Maximum value	784.73 cd	Position	C=15.00 G=5.00	CG	Double Symmetrical

US ROAD STANDARDS



Luminaire Classification System (LCS)			
LCS Zone		Lumens	%Lamp
FL	0° -- 30°	233.1 lm	27.2 %
FM	30° -- 60°	47.6 lm	5.6 %
FH	60° -- 80°	4.5 lm	0.5 %
FVH	80° -- 90°	0.2 lm	0.0 %
BL	0° -- 30°	233.1 lm	27.2 %
BM	30° -- 60°	47.6 lm	5.6 %
BH	60° -- 80°	4.5 lm	0.5 %
BVH	80° -- 90°	0.2 lm	0.0 %
UL	90° -- 100°	0.0 lm	0.0 %
UH	100° -- 180°	0.0 lm	0.0 %
TOTALS		570.8 lm	66.6 %

BUG B1 U0 G0 Type VS Very Short Quadrilateral Symmetry



Scale 1:1

