



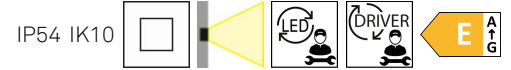
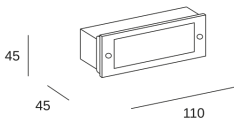
Stair



PX-0122-INO

Empotrable de pared IP54 Stair LED 1.3 Blanco cálido - 3000K ON-OFF acero inoxidable 150.00

CARACTERÍSTICAS TÉCNICAS



Potencia total luminaria : 1.3W

Lúmenes reales : 5

Lúmenes nominales : 150

Lm / W reales : 4

Temperatura de color correlacionada (CCT) : Blanco cálido - 3000K

Ángulo Ópticas / Reflector : HORIZONTAL 113°

UGR : <=19

Material de la estructura : Acero inoxidable AISI 304, Policarbonato

Acabado estructura : acero inoxidable

Material del difusor : Acrílico

Acabado difusor : Blanco

Voltaje / Frecuencia : 100-240V/50-60Hz

Protocolo de regulación : ON-OFF

Vida útil : 36.000h L70B30

Garantía : 5 Años

CARACTERÍSTICAS LUMINOTÉCNICAS

CRI: 80

MacAdam steps: 3

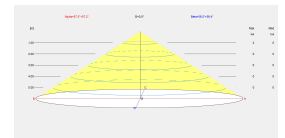
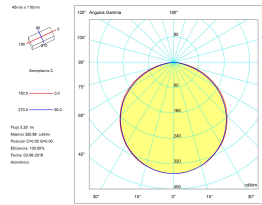
Riesgo fotobiológico: RG0

UGR

UGR Transversal: 17.2

UGR Longitudinal: 16.7

Portalámparas	Cantidad	Potencia fuente de luz (W)
LED	1	1W



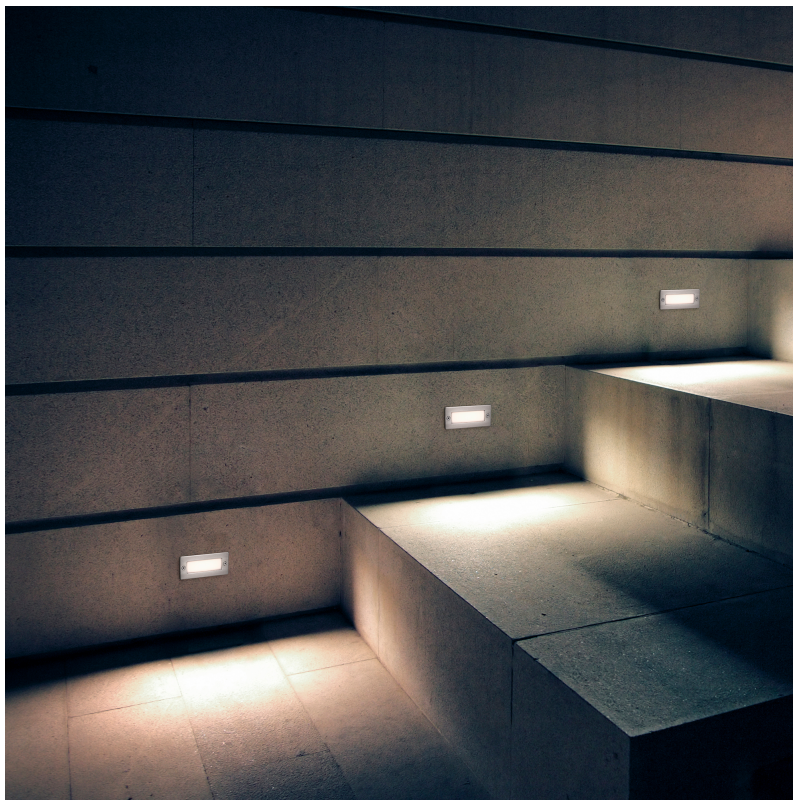
LOGÍSTICA

Peso neto (Kg): 0.15

Peso embalado (Kg): 0.19

Embalaje: 115mm x 50mm x 70mm





Luminaire

Code PX-0122-INO
 Name Empotrable pared STAIR 1W

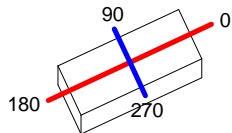
Measur.

Code PX-0122-INO
 Name Empotrable pared STAIR 1W

Luminaire Flux	5.28 lm	Luminaire Power	1.00 W	Efficacy	5.28 lm/W	Efficiency	100.00%
Lamps Flux	5.28 lm	Maximum value	350.88 cd/klm	Position	C=0.00 G=0.00	CG	Asymmetrical
Rectangular Luminaire		Length	45 mm	Width	110 mm	Height	2 mm
Rectangular Luminous Area		Length	23 mm	Width	59 mm	Height	0 mm
Horizontal Luminous Area		0.001357 m2		Emitting area on Plane 180°		0.000000 m2	
Emitting area on Plane 0°		0.000000 m2		Emitting area on Plane 270°		0.000000 m2	
Emitting area on Plane 90°		0.000000 m2		Glare area at 76°		0.000328 m2	
Coordinate system		CG		Symmetry Type		Asymmetrical	
Date		03-06-2016		Maximum Gamma Angle		90	
Measurement Distance		0.00		Measurement Flux		5.28 lm	
Operator		Asselum T3		Source Voltage [V]			
Temperature		25.00 °C		Source current [A]			
Humidity		60.00 %		Photocell			
Notes							

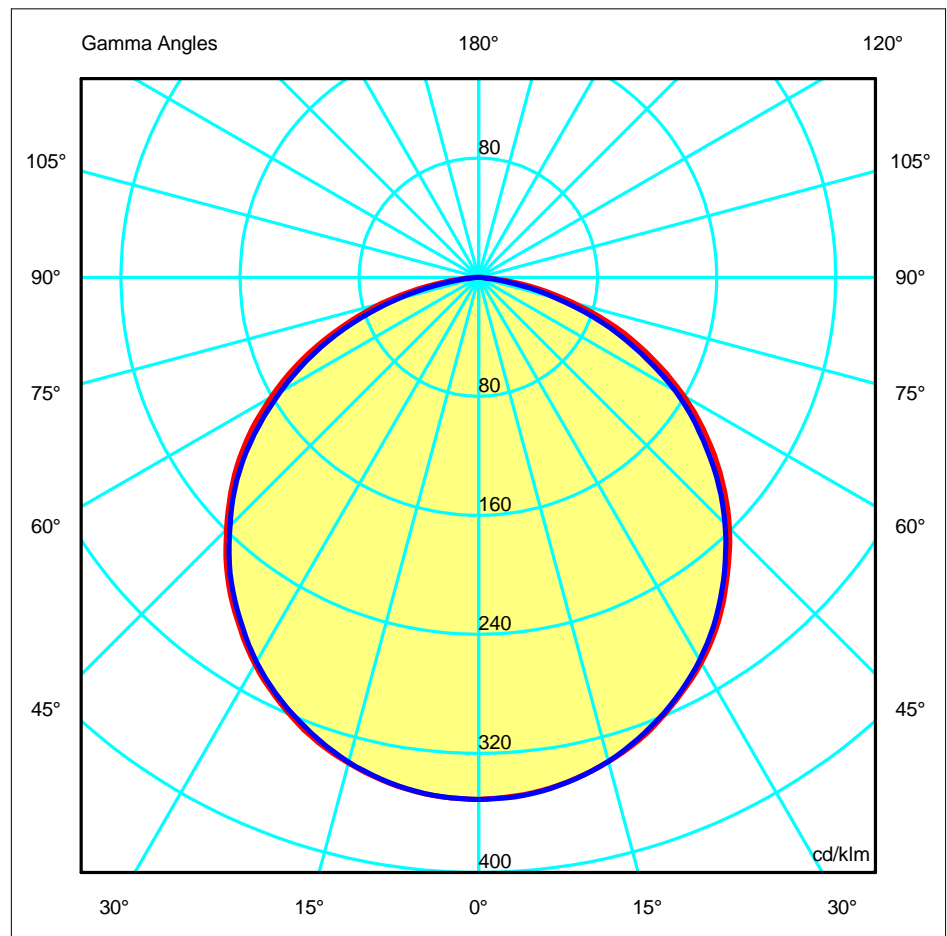
Line		Code		Luminaire Lamps		Flux [lm]	Pow. [W]	Q.ty
		PX-0122-INO		PX-0122-INO		5.28	1.00	1
C.I.E.	47 80 97 100 100			D DIN 5040		A30		
F UTE	1.00 E			B NBN		BZ 4		

45mm x 110mm



C Halfplanes
 180.0 — 0.0
 270.0 — 90.0

ULOR 0.00 %
 DLOR 100.00 %
 RN 0.00 %





Luminaire

Code PX-0122-INO
Name Empotrable pared STAIR 1W

Measur.

Code PX-0122-INO
Name Empotrable pared STAIR 1W

Luminaire Flux	5.28 lm	Luminaire Power	1.00 W	Efficacy	5.28 lm/W	Efficiency	100.00%
Lamps Flux	5.28 lm	Maximum value	350.88 cd/klm	Position	C=0.00 G=0.00	CG	Asymmetrical

Luminous Intensity Table cd/klm Table 1/1

	C 0.00	C 15.00	C 30.00	C 45.00	C 60.00	C 75.00	C 90.00	C 105.00	C 120.00	C 135.00	C 150.00	C 165.00
G 0.0	350.88	350.88	350.88	350.88	350.88	350.88	350.88	350.88	350.88	350.88	350.88	350.88
G 5.0	348.89	349.18	349.23	348.92	348.87	349.13	349.41	349.07	349.28	349.33	349.38	349.53
G 10.0	344.30	344.39	344.38	344.54	344.49	344.28	344.51	344.58	344.70	344.42	344.88	345.21
G 15.0	337.01	337.27	337.51	336.91	336.45	336.25	336.78	336.26	337.16	337.13	337.23	337.90
G 20.0	327.10	327.32	327.24	326.39	326.19	326.20	325.84	326.35	327.09	326.81	327.19	327.45
G 25.0	313.73	314.07	314.22	313.34	312.53	313.11	312.69	313.74	313.58	313.50	314.53	314.84
G 30.0	299.17	298.75	299.15	297.62	297.16	296.73	297.01	297.16	298.20	299.07	299.05	299.73
G 35.0	281.34	280.82	280.51	279.38	278.81	278.85	278.34	279.70	279.26	280.25	281.07	281.53
G 40.0	260.10	261.39	259.90	258.85	257.52	257.62	257.05	258.21	258.74	260.19	260.90	262.04
G 45.0	238.35	238.39	237.25	236.88	234.64	235.36	234.05	235.29	235.15	236.97	237.64	238.82
G 50.0	213.86	214.83	213.25	211.56	210.53	209.55	208.59	210.38	210.82	213.03	213.61	215.03
G 55.0	187.44	187.45	186.69	185.47	182.55	183.02	181.15	183.68	182.55	185.37	186.10	188.50
G 60.0	159.04	159.98	158.00	157.08	154.21	152.15	152.55	152.27	154.33	157.29	158.27	160.26
G 65.0	128.82	129.64	127.59	126.37	122.15	122.12	119.99	122.66	123.14	125.64	127.04	129.73
G 70.0	98.26	98.49	96.11	94.53	90.67	89.53	88.09	89.81	90.33	94.69	96.21	98.45
G 75.0	65.30	65.94	63.78	61.17	57.64	55.82	54.08	56.00	58.20	61.00	63.72	65.75
G 80.0	35.43	35.96	32.37	30.32	28.33	26.43	24.74	25.63	26.25	30.43	32.12	36.40
G 85.0	10.09	10.01	8.17	6.79	4.58	3.81	3.04	3.86	3.86	6.13	8.00	10.24
G 90.0	0.66	0.70	0.69	0.70	0.72	0.75	0.77	0.74	0.71	0.70	0.70	0.73

	C 180.00	C 195.00	C 210.00	C 225.00	C 240.00	C 255.00	C 270.00	C 285.00	C 300.00	C 315.00	C 330.00	C 345.00
G 0.0	350.88	350.88	350.88	350.88	350.88	350.88	350.88	350.88	350.88	350.88	350.88	350.88
G 5.0	349.50	349.42	349.54	349.39	349.13	349.18	349.36	349.07	349.33	349.13	349.43	349.53
G 10.0	345.11	345.11	345.20	344.97	345.01	344.39	344.61	344.73	345.00	345.04	345.09	345.04
G 15.0	337.95	338.20	338.08	337.84	337.38	337.33	337.19	337.45	337.57	337.75	337.59	337.83
G 20.0	328.36	328.25	327.91	328.04	327.27	327.13	326.51	327.48	326.94	327.30	327.91	328.02
G 25.0	315.37	316.19	315.67	314.84	314.02	313.58	313.67	314.00	314.35	314.74	314.95	315.87
G 30.0	300.32	300.51	299.72	299.94	298.61	298.74	298.30	298.76	298.09	299.64	299.57	300.20
G 35.0	282.02	283.45	282.58	281.32	280.10	279.73	279.58	280.39	280.50	282.11	281.66	283.29
G 40.0	262.27	262.19	262.39	260.58	260.20	258.82	259.41	259.43	259.34	260.73	261.49	262.60
G 45.0	239.29	240.29	239.83	238.39	237.15	235.81	236.00	236.47	237.36	238.80	239.82	240.25
G 50.0	215.62	215.83	216.13	213.58	212.46	211.47	211.81	211.38	212.54	214.60	214.68	215.81
G 55.0	189.70	189.22	188.45	186.80	186.21	184.23	183.60	184.02	185.45	186.94	188.87	188.44
G 60.0	160.67	160.51	160.83	157.99	156.47	154.94	153.46	154.68	157.28	158.10	159.43	160.67
G 65.0	130.35	130.13	129.27	127.21	125.20	123.54	122.61	124.15	125.30	127.16	129.87	130.38
G 70.0	98.02	99.23	98.79	95.84	93.32	90.56	89.71	90.13	93.79	95.68	97.42	98.54
G 75.0	66.94	65.92	64.75	61.69	58.74	56.49	56.07	57.04	58.94	61.71	65.31	67.28
G 80.0	35.09	35.67	33.89	30.30	27.86	26.08	25.00	25.72	27.97	30.32	32.99	35.16
G 85.0	10.69	10.01	8.48	6.12	4.79	3.30	3.47	3.57	4.90	6.14	8.49	9.59
G 90.0	0.70	0.83	0.67	0.67	0.70	0.73	0.76	0.76	0.74	0.73	0.72	0.72

Luminaire

Code PX-0122-INO
 Name Empotrable pared STAIR 1W

Measur.

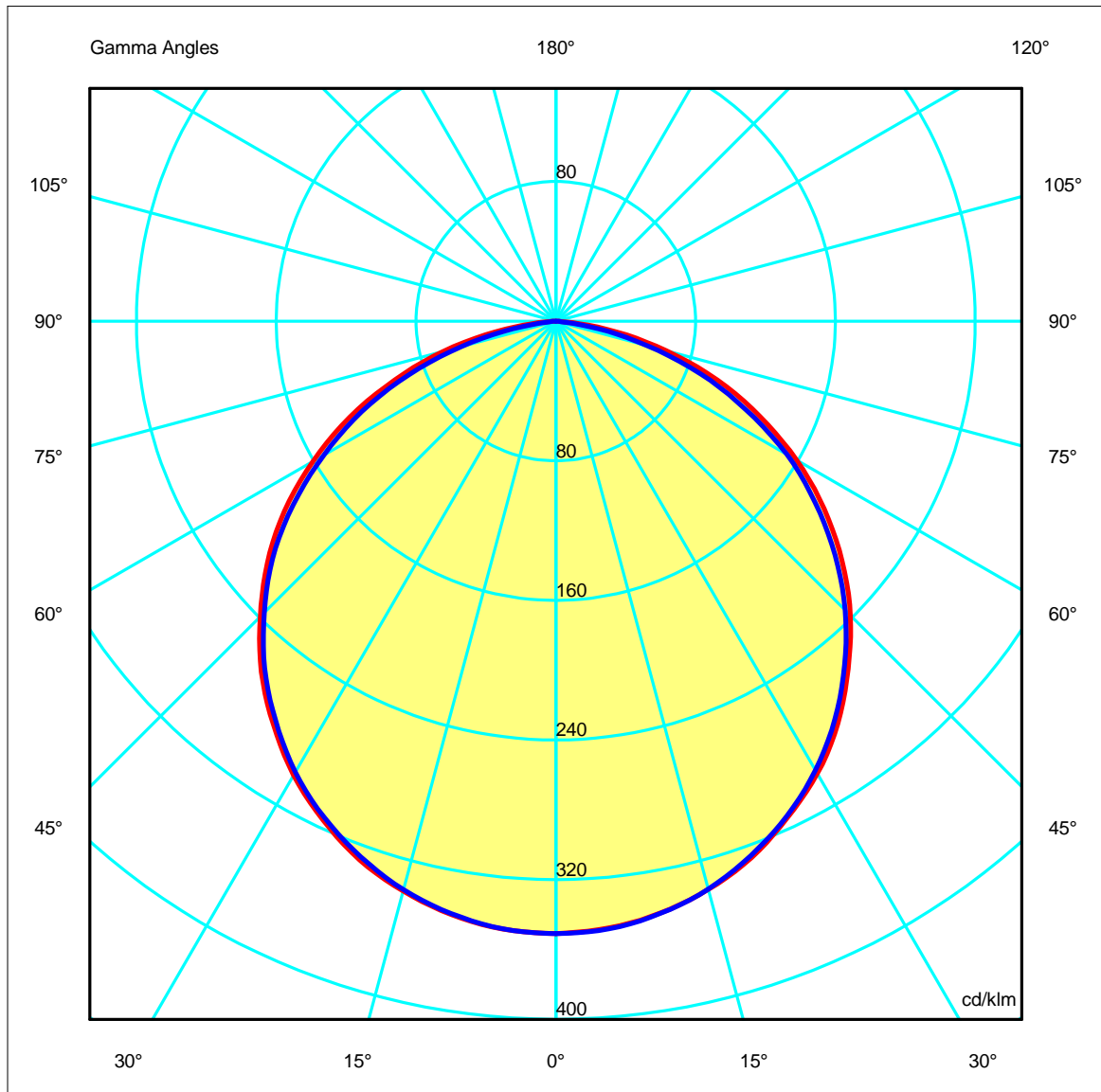
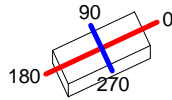
Code PX-0122-INO
 Name Empotrable pared STAIR 1W

Luminaire Flux	5.28 lm	Luminaire Power	1.00 W	Efficacy	5.28 lm/W	Efficiency	100.00%
Lamps Flux	5.28 lm	Maximum value	350.88 cd/klm	Position	C=0.00 G=0.00	CG	Asymmetrical

45mm x 110mm

C Halfplanes

180.0 ——— 0.0
 270.0 ——— 90.0



Luminaire

Code PX-0122-INO
Name Empotrable pared STAIR 1W

Measur.

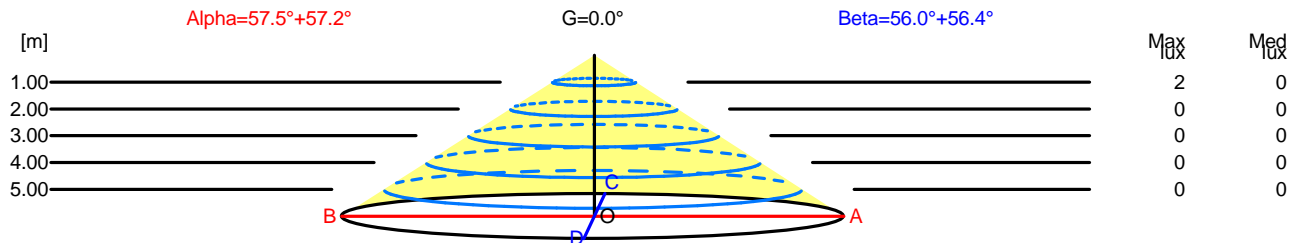
Code PX-0122-INO
Name Empotrable pared STAIR 1W

Luminaire Flux	5.28 lm	Luminaire Power	1.00 W	Efficacy	5.28 lm/W	Efficiency	100.00%
Lamps Flux	5.28 lm	Maximum value	350.88 cd/klm	Position	C=0.00 G=0.00	CG	Asymmetrical

Width at 50.00 % of Max Intensity

H[m]	1.00	2.00	3.00	4.00	5.00	H[m]	1.00	2.00	3.00	4.00	5.00
OA	1.55	3.10	4.65	6.20	7.75	OC	1.48	2.97	4.45	5.94	7.42
OB	1.57	3.14	4.71	6.28	7.85	OD	1.50	3.01	4.51	6.01	7.52

	Luminous Intensities [cd/klm]									
	0	5	15	25	35	45	55	65	75	85
OA	1.85	1.84	1.78	1.66	1.49	1.26	0.99	0.68	0.34	0.05
OB	1.85	1.85	1.78	1.67	1.49	1.26	1.00	0.69	0.35	0.06
OC	1.85	1.84	1.78	1.65	1.47	1.24	0.96	0.63	0.29	0.02
OD	1.85	1.84	1.78	1.66	1.48	1.25	0.97	0.65	0.30	0.02



H[m]	D[m]	Max lux	Med lux	Alpha=57.5°+57.2°	G=0.0
1.00	3.12	2	0		
2.00	6.24	0	0		
3.00	9.36	0	0		
4.00	12.48	0	0		
5.00	15.59	0	0		

H[m]	D[m]	Max lux	Med lux	Beta=56.4°+56.0°	G=0.0
1.00	2.99	2	0		
2.00	5.98	0	0		
3.00	8.96	0	0		
4.00	11.95	0	0		
5.00	14.94	0	0		



Luminaire

Code PX-0122-INO
Name Empotrable pared STAIR 1W

Measurement

Code PX-0122-INO
Name Empotrable pared STAIR 1W

Luminaire Flux	5.28 lm	Luminaire Power	1.00 W	Efficacy	5.28 lm/W	Efficiency	100.00%
Lamps Flux	5.28 lm	Maximum value	350.88 cd/klm	Position	C=0.00 G=0.00	CG	Asymmetrical

UGR
S = 0.250

Reflectancies										
Ceiling/Cavity	0.7	0.7	0.5	0.5	0.3	0.7	0.7	0.5	0.5	0.3
Walls	0.5	0.3	0.5	0.3	0.3	0.5	0.3	0.5	0.3	0.3
WorkingPlane	0.2	0.2	0.2	0.2	0.2	0.2	0.2	0.2	0.2	0.2
RoomDimensions	ViewedCrosswise					ViewedEndwise				
x=2H y=2H	13.4	14.8	13.7	15.0	15.1	13.3	14.6	13.6	14.8	15.1
x=2H y=3H	15.1	16.3	15.4	16.5	16.5	14.8	16.0	15.1	16.2	16.5
x=2H y=4H	15.7	16.8	16.0	17.1	17.0	15.3	16.4	15.6	16.7	17.0
x=2H y=6H	16.1	17.1	16.4	17.4	17.2	15.5	16.5	15.9	16.8	17.2
x=2H y=8H	16.2	17.2	16.5	17.5	17.2	15.5	16.5	15.9	16.8	17.2
x=2H y=12H	16.2	17.1	16.6	17.5	17.1	15.5	16.5	15.9	16.8	17.1
x=4H y=2H	14.2	15.3	14.5	15.6	15.8	14.1	15.2	14.4	15.5	15.8
x=4H y=3H	16.0	16.9	16.4	17.3	17.3	15.7	16.7	16.1	17.0	17.3
x=4H y=4H	16.7	17.6	17.1	17.9	17.9	16.3	17.2	16.7	17.5	17.9
x=4H y=6H	17.2	17.9	17.6	18.3	18.2	16.6	17.4	17.1	17.8	18.2
x=4H y=8H	17.3	18.0	17.8	18.4	18.2	16.7	17.4	17.1	17.8	18.2
x=4H y=12H	17.4	18.0	17.8	18.4	18.1	16.7	17.3	17.1	17.7	18.1
x=8H y=4H	17.0	17.6	17.4	18.0	18.1	16.6	17.3	17.1	17.7	18.1
x=8H y=6H	17.6	18.1	18.0	18.5	18.5	17.0	17.6	17.5	18.0	18.5
x=8H y=8H	17.7	18.2	18.2	18.7	18.5	17.1	17.6	17.6	18.0	18.5
x=8H y=12H	17.8	18.2	18.3	18.7	18.5	17.1	17.5	17.6	18.0	18.5
x=12H y=4H	17.0	17.6	17.4	18.0	18.1	16.6	17.3	17.1	17.7	18.1
x=12H y=6H	17.6	18.1	18.1	18.5	18.5	17.1	17.5	17.5	18.0	18.5
x=12H y=8H	17.8	18.2	18.3	18.6	18.5	17.1	17.6	17.6	18.0	18.5

Luminaire

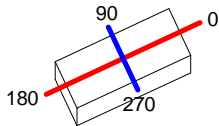
Code PX-0122-INO
 Name Empotrable pared STAIR 1W

Measur.

Code PX-0122-INO
 Name Empotrable pared STAIR 1W

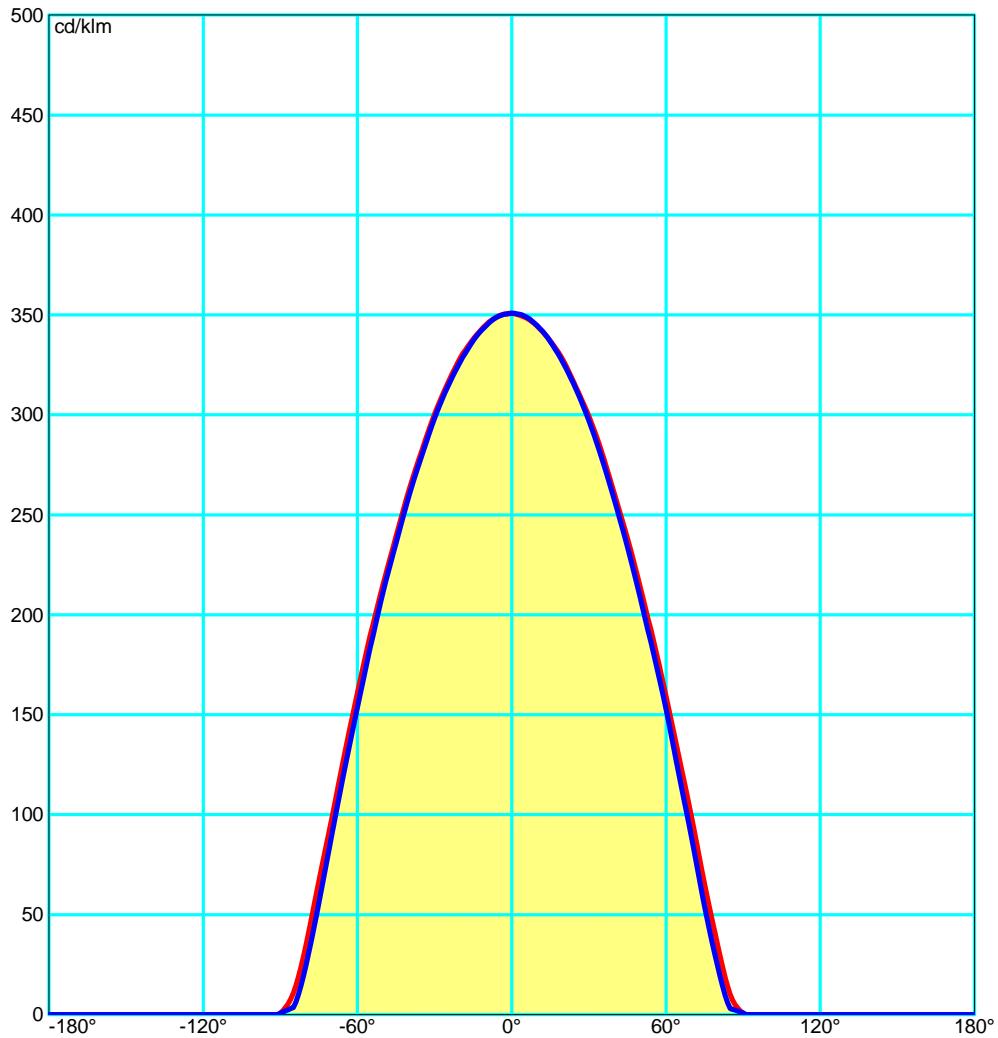
Luminaire Flux	5.28 lm	Luminaire Power	1.00 W	Efficacy	5.28 lm/W	Efficiency	100.00%
Lamps Flux	5.28 lm	Maximum value	350.88 cd/klm	Position	C=0.00 G=0.00	CG	Asymmetrical

45mm x 110mm



C Halfplanes

180.0 ———— 0.0
 270.0 ———— 90.0



Luminaire

Code PX-0122-INO
 Name Empotrable pared STAIR 1W

Measur.

Code PX-0122-INO
 Name Empotrable pared STAIR 1W

Luminaire Flux	5.28 lm	Luminaire Power	1.00 W	Efficacy	5.28 lm/W	Efficiency	100.00%
Lamps Flux	5.28 lm	Maximum value	350.88 cd/klm	Position	C=0.00 G=0.00	CG	Asymmetrical

Luminance





Luminaire

Code PX-0122-INO
Name Empotrable pared STAIR 1W

Measur.

Code PX-0122-INO
Name Empotrable pared STAIR 1W

Luminaire Flux	5.28 lm	Luminaire Power	1.00 W	Efficacy	5.28 lm/W	Efficiency	100.00%
Lamps Flux	5.28 lm	Maximum value	350.88 cd/klm	Position	C=0.00 G=0.00	CG	Asymmetrical

Luminance cd/m2 Table 1/3

	C 0.00	C 10.00	C 20.00	C 30.00	C 40.00	C 50.00	C 60.00	C 70.00	C 80.00	C 90.00	C 100.00	C 110.00	C 120.00
G 0.0	1365.26	1365.26	1365.26	1365.26	1365.26	1365.26	1365.26	1365.26	1365.26	1365.26	1365.26	1365.26	1365.26
G 5.0	1362.69	1363.50	1364.06	1364.02	1363.22	1362.59	1362.62	1363.18	1364.19	1364.73	1363.79	1363.48	1364.23
G 10.0	1360.30	1360.61	1360.64	1360.62	1361.04	1361.34	1361.06	1360.38	1360.46	1361.16	1361.32	1361.67	1361.91
G 15.0	1357.56	1358.16	1359.13	1359.55	1358.08	1356.40	1355.27	1354.31	1355.28	1356.60	1354.95	1355.35	1358.13
G 20.0	1354.41	1355.05	1355.53	1354.97	1352.60	1351.19	1350.63	1350.66	1350.15	1349.21	1350.17	1352.61	1354.38
G 25.0	1346.91	1347.85	1348.88	1349.02	1346.89	1343.51	1341.72	1343.63	1343.71	1342.44	1345.41	1346.71	1346.24
G 30.0	1344.14	1342.26	1343.15	1344.04	1339.57	1335.91	1335.12	1333.62	1333.37	1334.44	1334.66	1336.26	1339.76
G 35.0	1336.35	1334.49	1333.56	1332.41	1328.93	1325.56	1324.33	1324.83	1323.72	1322.12	1326.74	1328.40	1326.47
G 40.0	1321.12	1326.95	1326.04	1320.10	1316.52	1312.24	1308.03	1308.42	1307.44	1305.62	1309.39	1312.59	1314.19
G 45.0	1311.54	1312.56	1309.68	1305.47	1305.11	1299.16	1291.13	1294.01	1293.11	1287.87	1292.32	1294.81	1293.96
G 50.0	1294.51	1299.95	1298.53	1290.84	1283.54	1278.17	1274.38	1270.88	1265.37	1262.67	1269.93	1274.65	1276.16
G 55.0	1271.54	1272.17	1270.17	1266.43	1262.66	1250.79	1238.38	1241.20	1237.00	1228.84	1241.03	1244.56	1238.35
G 60.0	1237.59	1245.05	1240.83	1229.53	1225.25	1216.48	1200.05	1186.91	1184.26	1187.16	1185.00	1187.88	1200.95
G 65.0	1186.01	1194.14	1188.24	1174.71	1169.82	1150.47	1124.62	1124.45	1117.57	1104.69	1120.32	1132.40	1133.71
G 70.0	1117.80	1122.97	1112.61	1093.36	1083.46	1061.35	1031.49	1021.92	1011.80	1002.15	1015.25	1022.63	1027.59
G 75.0	981.71	992.23	983.80	958.84	934.30	901.46	866.45	847.66	827.91	813.07	828.90	853.34	874.94
G 80.0	793.79	811.87	784.11	725.26	691.39	665.37	634.82	607.23	575.60	554.44	567.23	574.89	588.13
G 85.0	450.46	448.03	423.43	364.55	325.95	270.25	204.61	179.26	155.44	135.93	161.50	170.97	172.17
G 90.0	0.00	0.00	0.00	0.00	0.00	0.00	0.00	0.00	0.00	0.00	0.00	0.00	0.00



Luminaire

Code PX-0122-INO
Name Empotrable pared STAIR 1W

Measurerm.

Code PX-0122-INO
Name Empotrable pared STAIR 1W

Luminaire Flux	5.28 lm	Luminaire Power	1.00 W	Efficacy	5.28 lm/W	Efficiency	100.00%
Lamps Flux	5.28 lm	Maximum value	350.88 cd/klm	Position	C=0.00 G=0.00	CG	Asymmetrical

Luminance cd/m2 Table 2/3

	C 130.00	C 140.00	C 150.00	C 160.00	C 170.00	C 180.00	C 190.00	C 200.00	C 210.00	C 220.00	C 230.00	C 240.00	C 250.00
G 0.0	1365.26	1365.26	1365.26	1365.26	1365.26	1365.26	1365.26	1365.26	1365.26	1365.26	1365.26	1365.26	1365.26
G 5.0	1364.35	1364.48	1364.60	1365.04	1365.25	1365.06	1364.76	1364.89	1365.23	1364.97	1364.26	1363.63	1363.59
G 10.0	1361.02	1361.12	1362.62	1363.72	1363.80	1363.53	1363.41	1363.64	1363.89	1363.18	1363.01	1363.11	1361.34
G 15.0	1358.05	1357.80	1358.41	1360.36	1361.18	1361.31	1362.03	1362.34	1361.84	1361.31	1360.22	1359.02	1358.86
G 20.0	1353.58	1353.49	1354.77	1355.27	1357.07	1359.63	1359.76	1358.47	1357.76	1358.41	1357.39	1355.12	1354.87
G 25.0	1345.41	1347.22	1350.35	1351.43	1352.08	1353.94	1356.69	1357.27	1355.22	1352.85	1350.43	1348.15	1346.61
G 30.0	1342.90	1343.76	1343.59	1345.44	1347.67	1349.28	1350.47	1348.92	1346.60	1347.69	1345.86	1341.60	1341.99
G 35.0	1329.09	1332.82	1335.05	1336.72	1337.59	1339.58	1344.75	1346.10	1342.23	1338.25	1334.11	1330.45	1329.10
G 40.0	1319.14	1323.04	1325.17	1329.13	1331.99	1332.16	1331.86	1332.06	1332.77	1326.43	1322.49	1321.60	1316.49
G 45.0	1300.44	1305.81	1307.66	1312.08	1315.15	1316.70	1320.68	1322.48	1319.67	1314.40	1309.49	1304.95	1299.40
G 50.0	1285.25	1291.50	1293.01	1298.56	1303.64	1305.21	1305.56	1308.11	1308.27	1298.23	1289.58	1286.06	1281.41
G 55.0	1250.54	1260.41	1262.41	1272.71	1283.17	1286.83	1285.09	1282.34	1278.38	1270.41	1265.79	1263.21	1254.26
G 60.0	1217.79	1227.31	1231.65	1242.13	1249.93	1250.35	1249.47	1249.87	1251.55	1237.45	1224.02	1217.62	1210.33
G 65.0	1148.73	1161.61	1169.65	1186.66	1198.70	1200.13	1199.06	1196.46	1190.11	1178.10	1164.62	1152.69	1142.34
G 70.0	1060.92	1085.82	1094.55	1113.37	1120.16	1115.15	1123.59	1131.14	1123.85	1102.14	1080.33	1061.60	1039.26
G 75.0	902.19	931.52	957.87	979.09	997.27	1006.32	997.37	986.25	973.41	944.41	911.52	883.00	858.17
G 80.0	652.65	695.77	719.80	790.91	805.84	786.23	793.59	794.82	759.38	705.01	657.30	624.26	596.75
G 85.0	235.43	303.55	357.02	427.88	473.89	477.40	460.70	429.71	378.65	305.63	250.76	214.03	164.09
G 90.0	0.00	0.00	0.00	0.00	0.00	0.00	0.00	0.00	0.00	0.00	0.00	0.00	0.00

Luminaire

Code PX-0122-INO
Name Empotrable pared STAIR 1W

Measur.

Code PX-0122-INO
Name Empotrable pared STAIR 1W

Luminaire Flux	5.28 lm	Luminaire Power	1.00 W	Efficacy	5.28 lm/W	Efficiency	100.00%
Lamps Flux	5.28 lm	Maximum value	350.88 cd/klm	Position	C=0.00 G=0.00	CG	Asymmetrical

Luminance cd/m2 Table 3/3

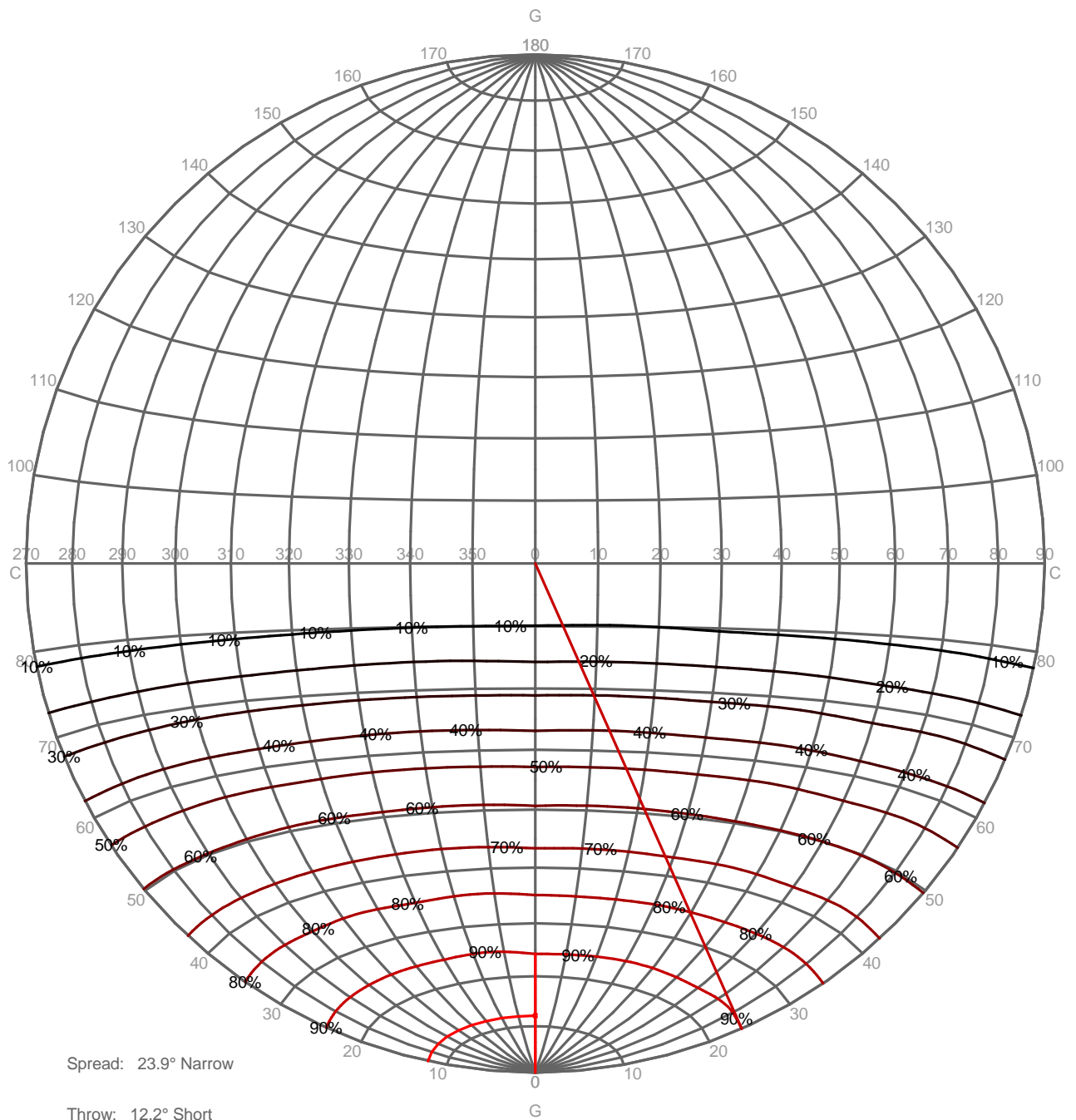
	C 260.00	C 270.00	C 280.00	C 290.00	C 300.00	C 310.00	C 320.00	C 330.00	C 340.00	C 350.00
G 0.0	1365.26	1365.26	1365.26	1365.26	1365.26	1365.26	1365.26	1365.26	1365.26	1365.26
G 5.0	1364.20	1364.53	1363.66	1363.66	1364.42	1363.87	1363.81	1364.82	1365.39	1364.62
G 10.0	1360.64	1361.56	1361.88	1362.34	1363.09	1363.19	1363.25	1363.42	1363.54	1362.51
G 15.0	1358.61	1358.27	1358.93	1359.52	1359.79	1360.43	1360.28	1359.86	1360.72	1360.22
G 20.0	1353.44	1351.97	1354.83	1355.74	1353.74	1354.30	1356.20	1357.77	1358.52	1357.33
G 25.0	1346.16	1346.65	1347.56	1348.50	1349.55	1350.86	1351.23	1352.13	1355.60	1354.41
G 30.0	1341.59	1340.23	1342.01	1341.14	1339.29	1343.99	1346.14	1345.92	1348.05	1348.13
G 35.0	1328.12	1328.00	1330.82	1332.00	1332.36	1338.12	1339.51	1337.88	1343.59	1344.55
G 40.0	1315.61	1317.63	1317.69	1317.57	1317.28	1321.98	1325.68	1328.18	1333.16	1331.46
G 45.0	1297.11	1298.63	1300.29	1302.42	1306.10	1311.43	1316.13	1319.64	1322.36	1319.72
G 50.0	1280.42	1282.16	1280.20	1280.36	1286.57	1296.00	1299.18	1299.48	1304.96	1304.54
G 55.0	1247.00	1245.48	1246.56	1251.17	1258.04	1264.24	1273.05	1281.20	1280.54	1275.96
G 60.0	1200.80	1194.21	1198.13	1210.82	1223.92	1228.84	1232.82	1240.66	1249.03	1248.25
G 65.0	1132.69	1128.88	1137.51	1147.14	1153.57	1163.50	1179.47	1195.65	1201.54	1196.89
G 70.0	1024.91	1020.60	1019.80	1037.48	1066.95	1083.03	1094.69	1108.23	1118.55	1121.35
G 75.0	844.04	842.93	850.91	865.70	886.09	912.01	945.52	981.88	1007.85	1006.76
G 80.0	573.46	560.24	565.91	590.99	626.79	661.41	698.59	739.27	775.78	789.82
G 85.0	149.86	154.97	157.87	175.05	218.57	251.58	307.42	379.24	418.21	436.52
G 90.0	0.00	0.00	0.00	0.00	0.00	0.00	0.00	0.00	0.00	0.00

Luminaire
 Code PX-0122-INO
 Name Empotrable pared STAIR 1W
Measur.
 Code PX-0122-INO
 Name Empotrable pared STAIR 1W

Luminaire Flux	5.28 lm	Luminaire Power	1.00 W	Efficacy	5.28 lm/W	Efficiency	100.00%
Lamps Flux	5.28 lm	Maximum value	350.88 cd/klm	Position	C=0.00 G=0.00	CG	Asymmetrical

PERCENTAGE ISOCANDLES

Projection: Equal Area SLI (glare) 13.0 Tight Tilting Angle:0°

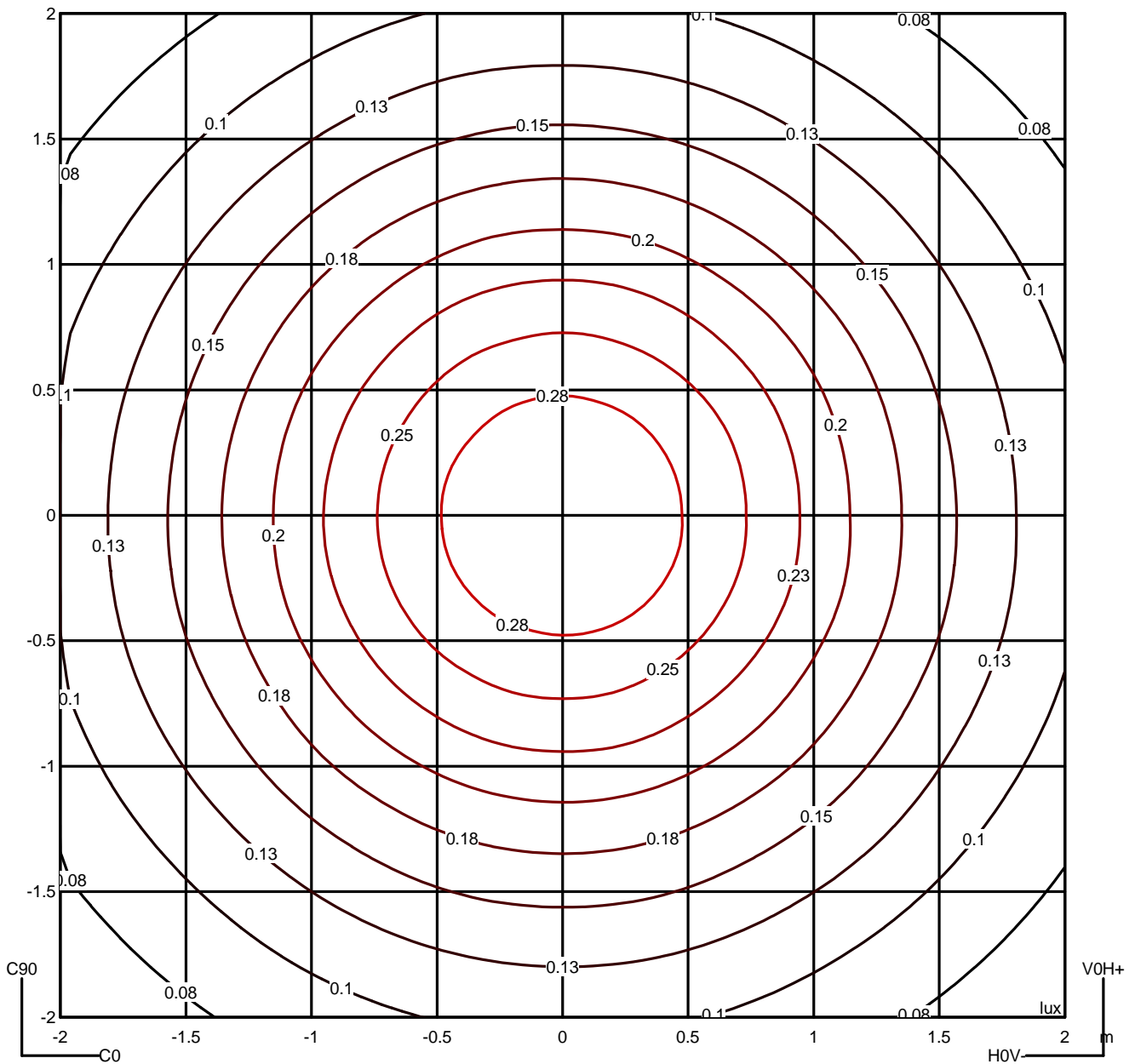


Luminaire
 Code PX-0122-INO
 Name Empotrable pared STAIR 1W
Measur.
 Code PX-0122-INO
 Name Empotrable pared STAIR 1W

Luminaire Flux	5.28 lm	Luminaire Power	1.00 W	Efficacy	5.28 lm/W	Efficiency	100.00%
Lamps Flux	5.28 lm	Maximum value	350.88 cd/klm	Position	C=0.00 G=0.00	CG	Asymmetrical

Isolux (Floor)

Luminaire position X=0.00m Y=0.00m Z=2.50m



Luminaire

Code PX-0122-INO
 Name Empotrable pared STAIR 1W

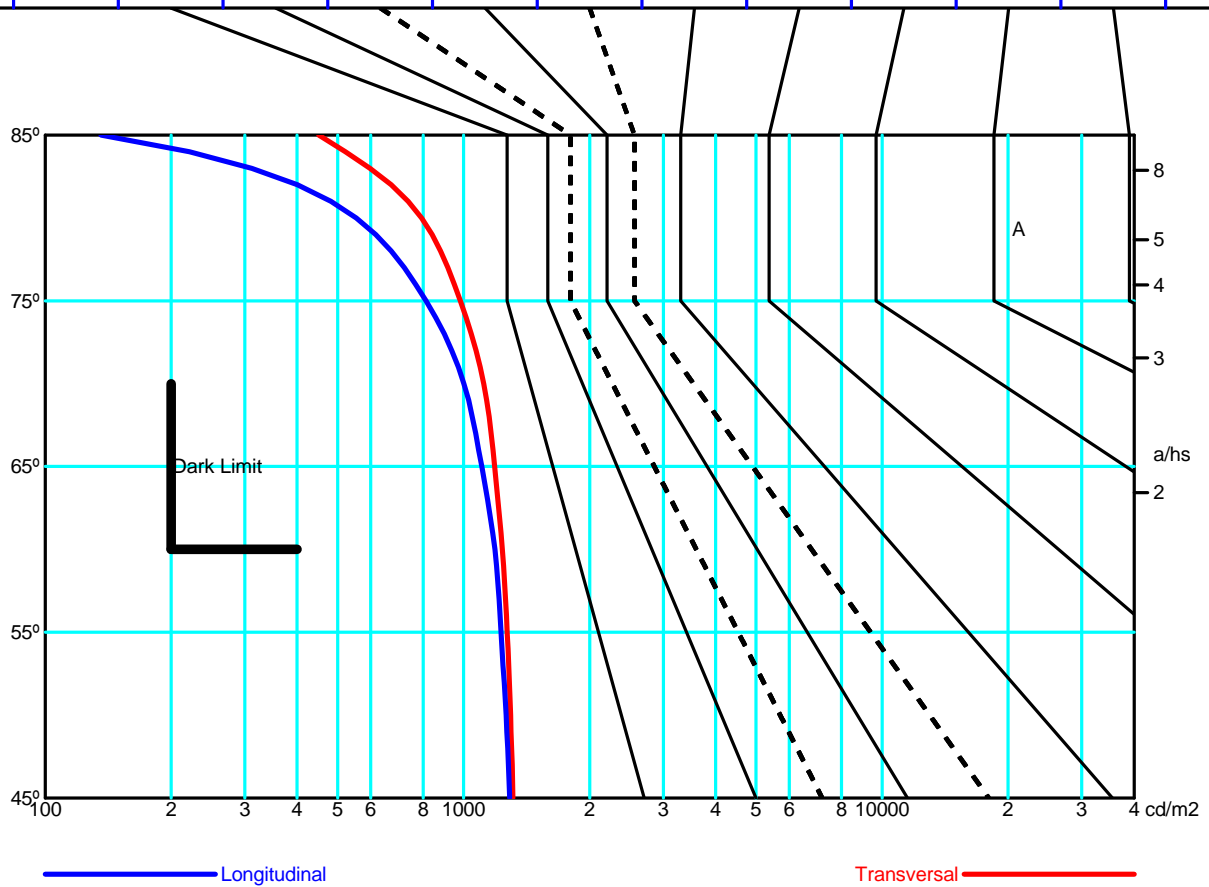
Measur.

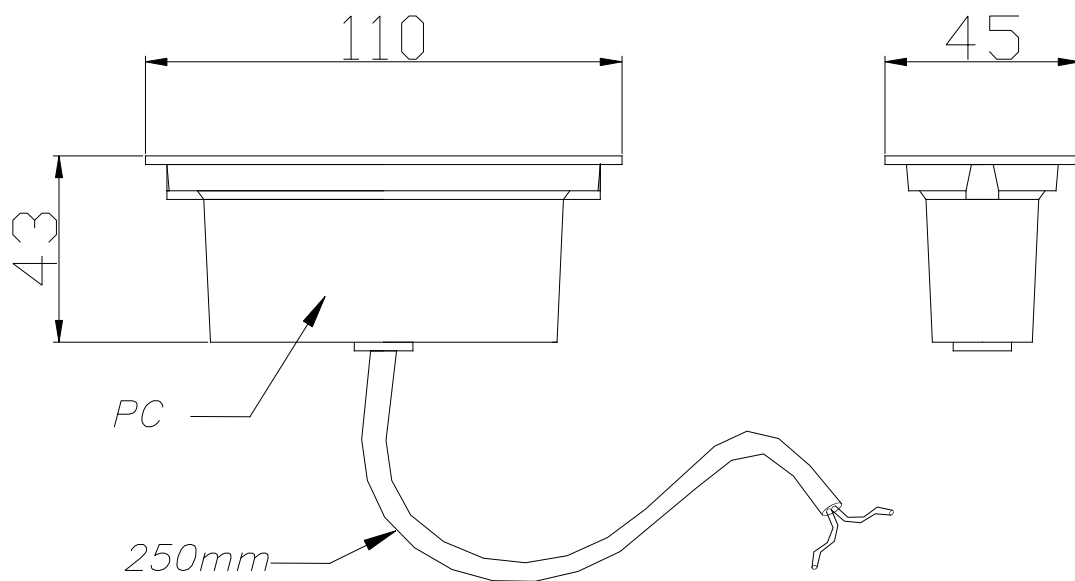
Code PX-0122-INO
 Name Empotrable pared STAIR 1W

Luminaire Flux	5.28 lm	Luminaire Power	1.00 W	Efficacy	5.28 lm/W	Efficiency	100.00%
Lamps Flux	5.28 lm	Maximum value	350.88 cd/klm	Position	C=0.00 G=0.00	CG	Asymmetrical

Average Luminance [cd/m²]										
0.0°	45°	50°	55°	60°	65°	70°	75°	80°	85°	---
1312	1295	1272	1238	1186	1118	982	794	450	---	---
90.0°	1288	1263	1229	1187	1105	1002	813	554	136	---

Flush mounted or longitudinal view												
		Illumination(lx)										
A	A	2000	1000	750	500		<300					1.15
B	1		2000	1500	1000	750	500	<300				1.5
C					2000		1000	500	<300			1.85
D	2						2000	1000	500	<300		2.2
E	3							2000	1000	500	<300	2.55

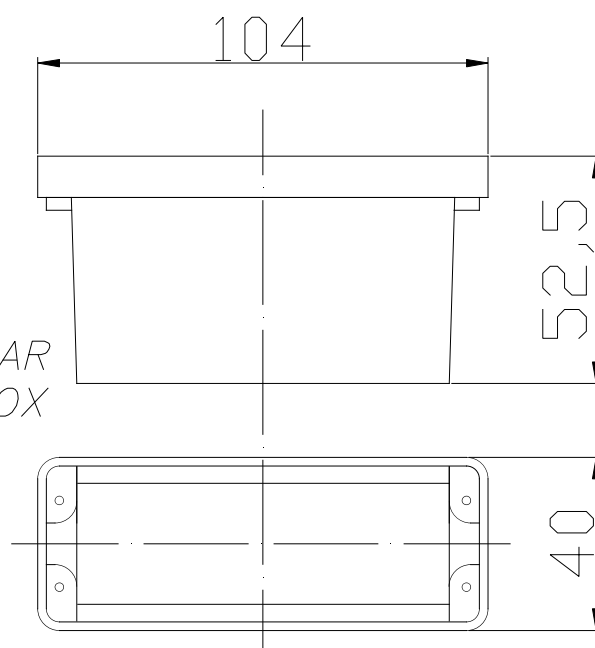


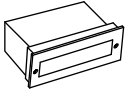


CRISTAL PINTADO BLANCO EN LA PARTE INTERIOR
GLASS WHITE PAINTED INSIDE

ACERO INOXIDABLE AISI 304
STAINLESS STEEL AISI 304

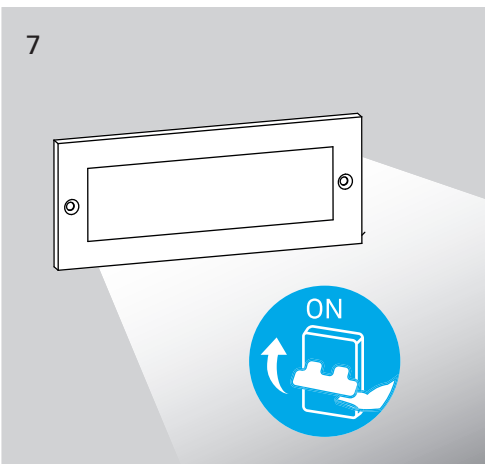
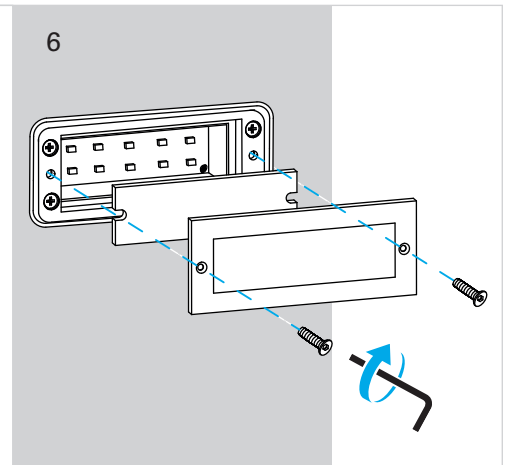
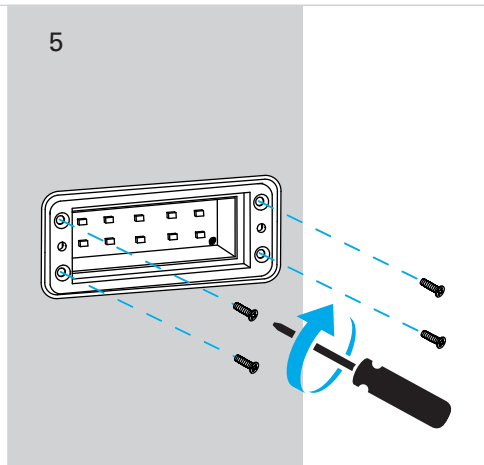
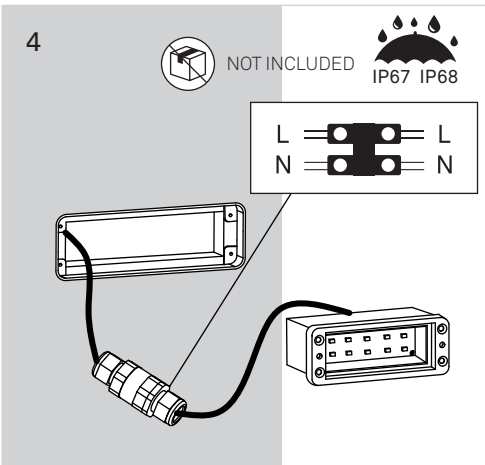
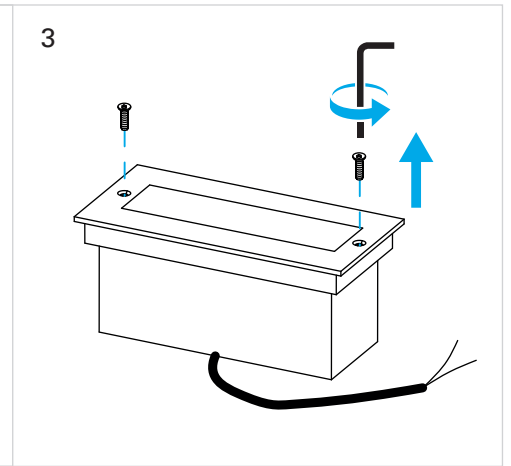
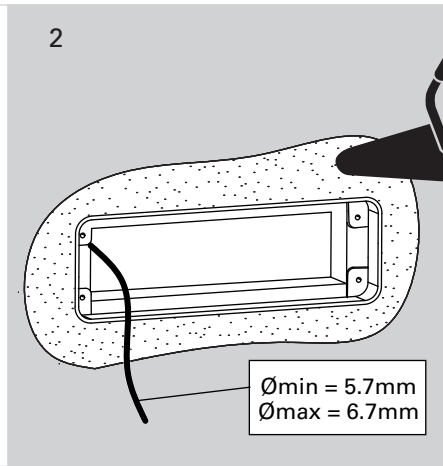
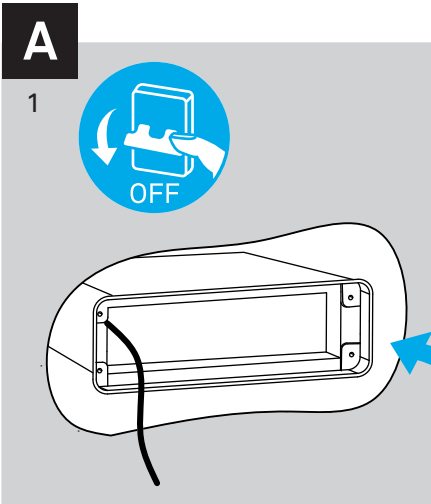
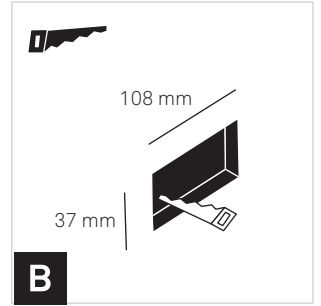
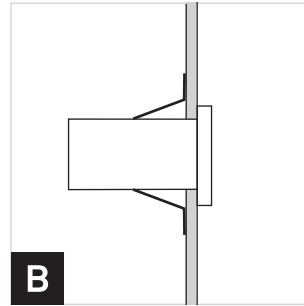
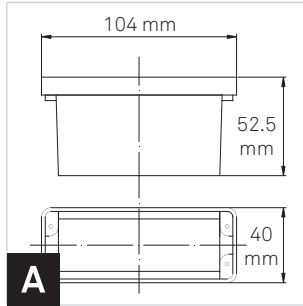
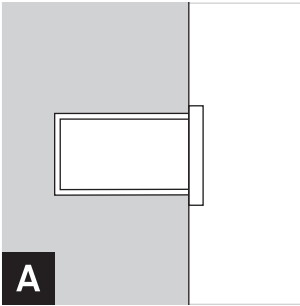
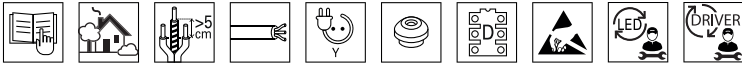
CAJA DE EMPOTRAR
FLUSH FITTING BOX





Stair

PX-0122



B

