



## Safran Double

## DE-0226-MAR

Proyector IP20 Safran Double GU10 16 Marrón

### CARACTERÍSTICAS TÉCNICAS



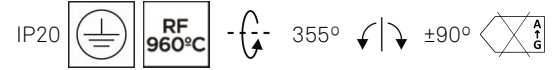
Potencia total luminaria : 16W

Material de la estructura : Acero

Acabado estructura : Marrón

Medida máx. de la bombilla : 54/50 mm

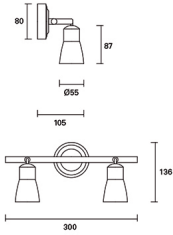
Bombilla recomendada : GU10



Voltaje / Frecuencia : 100-240V/50-60Hz

Garantía : 5 Años

Luminaria fácilmente reciclable



### CARACTERÍSTICAS LUMINOTÉCNICAS

Portalámparas	Cantidad	Potencia fuente de luz (W)
GU10	2	Potencia máx. 8W

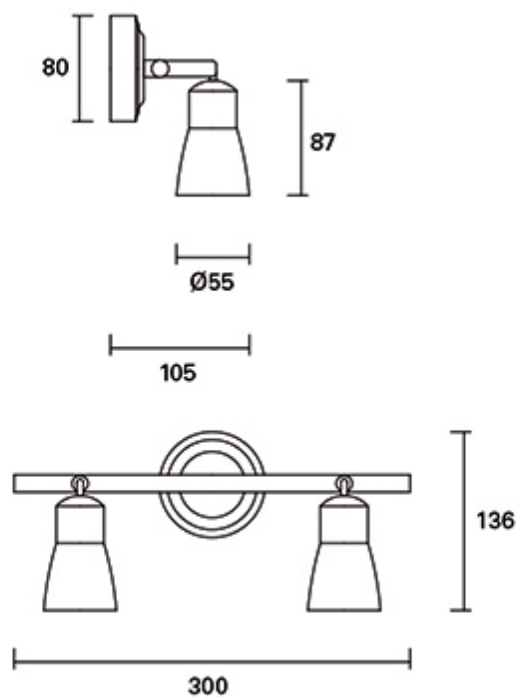
### LOGÍSTICA

Peso neto (Kg): 0.34

Peso embalado (Kg): 0.51

Embalaje: 115mm x 90mm x 320mm





**Luminaria**

Código DE-0226-MRO

Nombre LR16

**Ensayo**

Código DE-0226-MRO

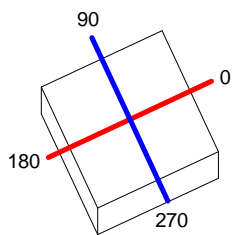
Nombre LR16

Flujo Luminaria	549.58 lm	Potencia luminaria	6.40 W	Eficiencia	85.87 lm/W	Rendimiento	100.00%
Flujo de Lámpara	549.58 lm	Valor Máximo	1753.57 cd/klm	Posición	C=270.00 G=3.00	CG	Asimétrico
Luminaria Rectangular		Longit.	50 mm	Anchura	50 mm	Altura	55 mm
Área Luminosa Rectangular		Longit.	50 mm	Anchura	50 mm	Altura	55 mm
Área Luminosa Horizontal		0.002500 m2		Área Emisión sobre Pl. 180°		0.002750 m2	
Área Emisión sobre Pl. 0°		0.002750 m2		Área Emisión sobre Pl. 270°		0.002750 m2	
Área Emisión sobre Pl. 90°		0.002750 m2		Área de deslumbramiento a 76°		0.003273 m2	
Sist. de Coorden.		CG		Tipo de Simetría		Asimétrico	
Fecha		08-06-2016		Máximo Ángulo Gamma		90	
Distancia de Ensayo		0.00		Flujo de Ensayo		549.58 lm	
Operador				Tensión de alimentación [V]			
Temperatura		25.00 °C		Corriente de alimentación [A]			
Humedad		60.00 %		Fotocélula			
Notas							

**Lámparas de la Luminaria**

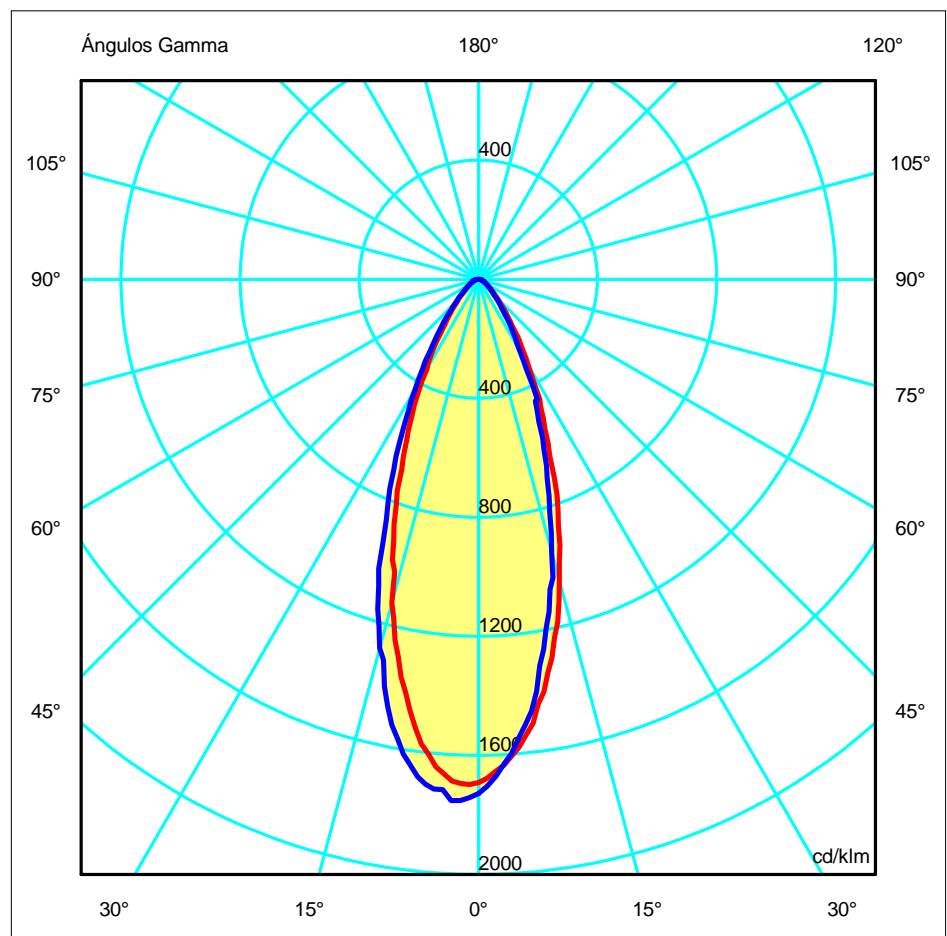
Familia	Código	Nombre	Flujo [lm]	Pot. [W]	Cant.
	AOT3030	AOT3030 - 6.40 W	549.58	6.40	1
C.I.E.	86 95 99 100 100	D DIN 5040	A60		
F UTE	1.00 A	B NBN	BZ 1		

50mm x 50mm



Semiplanos C

 180.0 — 0.0  
 270.0 — 90.0

 ULOR 0.00 %  
 DLOR 100.00 %  
 RN 0.00 %




**Luminaria**

Código DE-0226-MRO

Nombre LR16

**Ensayo**

Código DE-0226-MRO

Nombre LR16

Flujo Luminaria	549.58 lm	Potencia luminaria	6.40 W	Eficiencia	85.87 lm/W	Rendimiento	100.00%
Flujo de Lámpara	549.58 lm	Valor Máximo	1753.57 cd/klm	Posición	C=270.00 G=3.00	CG	Asimétrico

**Tabla de Intensidad Luminosa cd/klm Tabla 1/2**

	C 0.00	C 90.00	C 180.00	C 270.00
G 0.0	1690.96	1727.73	1690.96	1727.73
G 1.0	1675.89	1702.76	1697.25	1741.52
G 2.0	1654.09	1670.89	1695.35	1752.71
G 3.0	1634.80	1631.27	1687.77	1753.57
G 4.0	1604.23	1596.82	1666.24	1718.95
G 5.0	1577.01	1546.86	1643.41	1718.95
G 6.0	1537.82	1504.66	1605.26	1705.86
G 7.0	1503.71	1461.60	1572.10	1683.21
G 8.0	1441.27	1397.86	1523.18	1647.20
G 9.0	1402.25	1313.46	1468.23	1614.91
G 10.0	1343.17	1262.64	1409.06	1566.93
G 11.0	1295.20	1193.74	1362.03	1525.42
G 12.0	1230.26	1141.20	1295.20	1466.59
G 13.0	1181.25	1068.85	1244.73	1404.41
G 14.0	1115.53	1033.54	1175.74	1318.37
G 15.0	1049.56	949.99	1124.32	1283.23
G 16.0	983.07	885.40	1021.22	1212.69
G 17.0	934.32	817.36	986.51	1158.43
G 18.0	869.38	767.40	919.51	1084.44
G 19.0	820.37	707.11	870.24	1028.80
G 20.0	771.71	666.63	805.82	936.56
G 21.0	710.56	613.23	760.94	864.13
G 22.0	638.90	576.20	688.94	811.67
G 23.0	598.85	518.49	647.00	761.72
G 24.0	549.50	484.04	594.11	700.57
G 25.0	515.74	451.31	556.39	656.47
G 26.0	473.28	451.31	508.67	600.66
G 27.0	452.86	401.10	474.22	548.47
G 28.0	404.29	341.76	431.33	500.15
G 29.0	367.68	308.86	391.28	466.30
G 30.0	333.66	279.32	346.32	423.15
G 31.0	309.55	252.18	329.87	392.66
G 32.0	280.18	234.01	298.86	355.28
G 33.0	259.68	211.88	277.33	329.01
G 34.0	240.64	196.80	250.81	289.39
G 35.0	217.13	182.51	226.95	268.03
G 36.0	191.81	164.94	205.16	242.45
G 37.0	178.11	145.47	186.04	224.62
G 38.0	161.32	134.88	172.08	202.32
G 39.0	149.78	122.22	160.54	186.98
G 40.0	135.65	113.69	144.87	167.95
G 41.0	125.83	103.61	135.31	151.16
G 42.0	111.36	98.96	122.04	136.43
G 43.0	103.61	88.37	111.97	126.44
G 44.0	94.31	80.87	101.72	114.46
G 45.0	88.19	74.24	94.74	106.37
G 46.0	80.79	69.68	87.25	96.64
G 47.0	75.71	63.91	81.48	90.00
G 48.0	69.51	60.03	74.07	80.27
G 49.0	64.08	55.12	69.94	75.10
G 50.0	59.08	51.85	63.39	68.73
G 51.0	55.47	47.11	59.60	64.34
G 52.0	51.42	44.53	54.78	59.26
G 53.0	48.49	41.43	51.50	55.55
G 54.0	44.96	39.27	48.84	51.42
G 55.0	42.55	36.60	45.73	47.80
G 56.0	39.02	34.97	41.94	44.61
G 57.0	37.21	32.13	39.53	42.55
G 58.0	34.80	30.58	36.78	39.88
G 59.0	33.16	28.51	34.28	38.07
G 60.0	31.09	27.13	32.64	35.74
G 61.0	29.63	25.49	31.26	34.19
G 62.0	27.82	24.37	29.63	31.35
G 63.0	26.27	23.08	28.42	30.49
G 64.0	24.72	21.88	26.27	28.85
G 65.0	23.77	20.84	25.06	27.73
G 66.0	22.48	20.07	23.77	26.27
G 67.0	21.70	19.03	22.82	25.32
G 68.0	20.84	18.26	21.53	23.69
G 69.0	19.81	17.31	20.58	22.57
G 70.0	18.69	16.62	19.21	21.70
G 71.0	18.00	15.50	18.34	20.93
G 72.0	17.14	14.81	17.23	19.90

**Luminaria**

Código DE-0226-MRO

Nombre LR16

**Ensayo**

Código DE-0226-MRO

Nombre LR16

Flujo Luminaria	549.58 lm	Potencia luminaria	6.40 W	Eficiencia	85.87 lm/W	Rendimiento	100.00%
Flujo de Lámpara	549.58 lm	Valor Máximo	1753.57 cd/klm	Posición	C=270.00 G=3.00	CG	Asimétrico

**Tabla de Intensidad Luminosa cd/klm Tabla 2/2**

	C 0.00	C 90.00	C 180.00	C 270.00
G 73.0	16.37	13.87	16.54	19.12
G 74.0	15.68	13.26	15.42	18.09
G 75.0	15.24	12.49	14.73	17.05
G 76.0	13.95	11.89	13.69	16.11
G 77.0	13.35	11.02	12.83	15.42
G 78.0	12.40	10.16	11.63	14.47
G 79.0	11.89	9.39	11.20	13.78
G 80.0	11.02	8.70	10.25	12.83
G 81.0	10.42	7.92	9.47	12.06
G 82.0	9.73	7.15	8.61	10.94
G 83.0	8.87	6.37	7.67	10.34
G 84.0	8.10	5.60	6.89	9.73
G 85.0	7.49	4.91	6.20	8.78
G 86.0	6.54	4.39	5.43	8.01
G 87.0	6.03	4.22	4.74	7.23
G 88.0	5.25	4.13	4.31	6.46
G 89.0	4.65	4.13	4.22	5.68
G 90.0	4.05	4.13	4.22	5.34

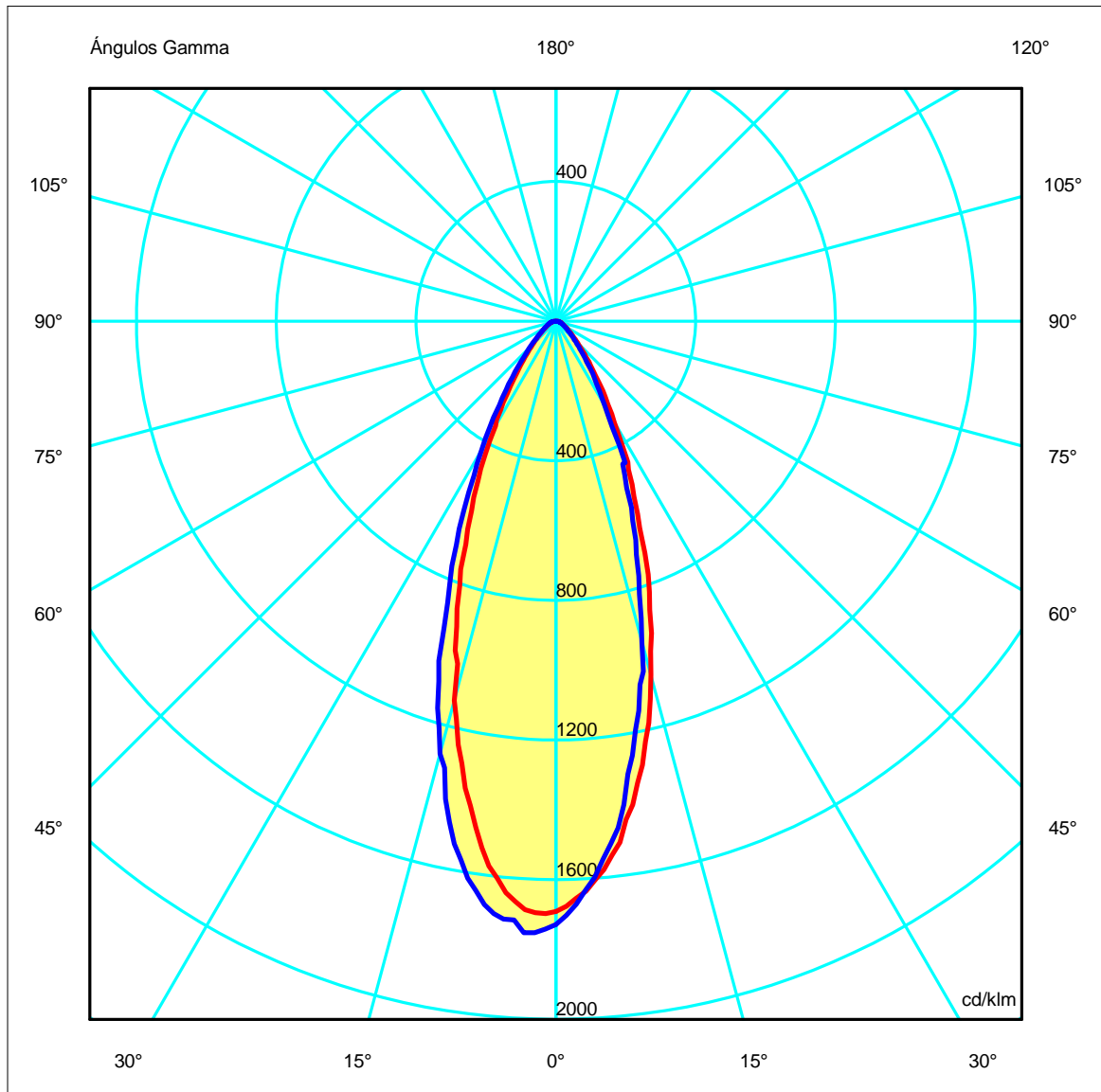
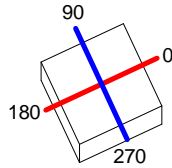
**Luminaria**  
 Código DE-0226-MRO  
 Nombre LR16  
**Ensayo**  
 Código DE-0226-MRO  
 Nombre LR16

Flujo Luminaria	549.58 lm	Potencia luminaria	6.40 W	Eficiencia	85.87 lm/W	Rendimiento	100.00%
Flujo de Lámpara	549.58 lm	Valor Máximo	1753.57 cd/klm	Posición	C=270.00 G=3.00	CG	Asimétrico

50mm x 50mm

Semiplanos C

180.0 ——— 0.0  
 270.0 ——— 90.0



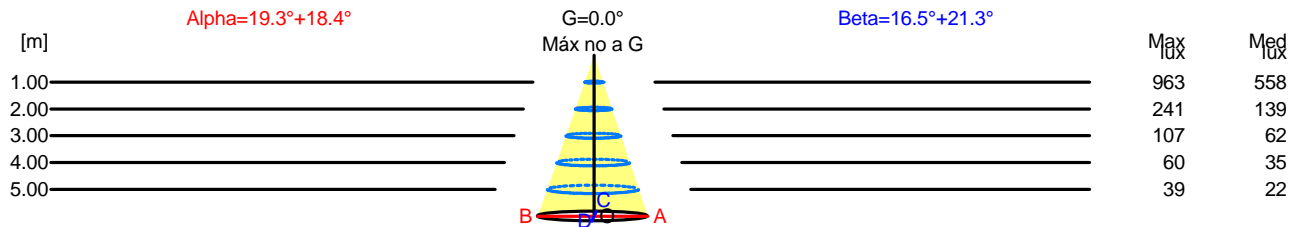
**Luminaria**  
 Código DE-0226-MRO  
 Nombre LR16  
**Ensayo**  
 Código DE-0226-MRO  
 Nombre LR16

Flujo Luminaria	549.58 lm	Potencia luminaria	6.40 W	Eficiencia	85.87 lm/W	Rendimiento	100.00%
Flujo de Lámpara	549.58 lm	Valor Máximo	1753.57 cd/klm	Posición	C=270.00 G=3.00	CG	Asimétrico

Apertura a 50.00 % de Max Intensidad

H[m]	1.00	2.00	3.00	4.00	5.00	H[m]	1.00	2.00	3.00	4.00	5.00
OA	0.33	0.67	1.00	1.33	1.67	OC	0.30	0.59	0.89	1.19	1.48
OB	0.35	0.70	1.05	1.40	1.75	OD	0.39	0.78	1.17	1.56	1.95

	Intensidades Luminosas [ cd/klm]									
	0	5	15	25	35	45	55	65	75	85
OA	929.32	866.69	576.82	283.44	119.33	48.47	23.38	13.06	8.38	4.12
OB	929.32	903.19	617.90	305.78	124.73	52.07	25.13	13.77	8.09	3.41
OC	949.53	850.13	522.10	248.03	100.30	40.80	20.12	11.46	6.86	2.70
OD	949.53	944.70	705.23	360.78	147.30	58.46	26.27	15.24	9.37	4.83



H[m]	D[m]	Max lux	Med lux	Alpha=19.3°+18.4°	G=0.0 Máx no a G	
1.00	0.68	963	558			
2.00	1.37	241	139			
3.00	2.05	107	62			
4.00	2.74	60	35			
5.00	3.42	39	22			

H[m]	D[m]	Max lux	Med lux	Beta=21.3°+16.5°	G=0.0 Máx no a G	
1.00	0.69	963	558			
2.00	1.37	241	139			
3.00	2.06	107	62			
4.00	2.75	60	35			
5.00	3.43	39	22			

**Luminaria**

Código DE-0226-MRO

Nombre LR16

**Ensayo**

Código DE-0226-MRO

Nombre LR16

Flujo Luminaria	549.58 lm	Potencia luminaria	6.40 W	Eficiencia	85.87 lm/W	Rendimiento	100.00%
Flujo de Lámpara	549.58 lm	Valor Máximo	1753.57 cd/klm	Posición	C=270.00 G=3.00	CG	Asimétrico

**UGR**  
S = 0.250

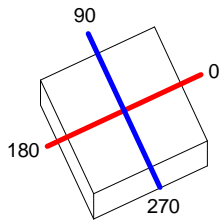
Reflectancias										
Ceiling/Cavity	0.7	0.7	0.5	0.5	0.3	0.7	0.7	0.5	0.5	0.3
Walls	0.5	0.3	0.5	0.3	0.3	0.5	0.3	0.5	0.3	0.3
WorkingPlane	0.2	0.2	0.2	0.2	0.2	0.2	0.2	0.2	0.2	0.2
RoomDimensions	ViewedCrosswise					ViewedEndwise				
x=2H y=2H	16.4	17.2	16.6	17.4	18.4	17.1	18.0	17.4	18.2	18.4
x=2H y=3H	16.7	17.5	17.0	17.7	18.7	17.5	18.2	17.8	18.5	18.7
x=2H y=4H	16.9	17.6	17.2	17.9	18.9	17.7	18.4	18.0	18.6	18.9
x=2H y=6H	17.0	17.7	17.3	18.0	19.1	17.8	18.5	18.2	18.8	19.1
x=2H y=8H	17.1	17.7	17.4	18.0	19.1	17.9	18.5	18.2	18.8	19.1
x=2H y=12H	17.1	17.7	17.4	18.0	19.2	17.9	18.5	18.3	18.8	19.2
x=4H y=2H	16.4	17.2	16.8	17.4	18.4	17.2	17.9	17.5	18.2	18.4
x=4H y=3H	16.9	17.5	17.3	17.8	18.9	17.7	18.3	18.0	18.6	18.9
x=4H y=4H	17.2	17.7	17.6	18.0	19.2	18.0	18.5	18.3	18.8	19.2
x=4H y=6H	17.4	17.8	17.8	18.2	19.4	18.2	18.7	18.6	19.0	19.4
x=4H y=8H	17.5	17.9	17.9	18.3	19.5	18.3	18.7	18.7	19.1	19.5
x=4H y=12H	17.5	17.9	18.0	18.3	19.6	18.4	18.8	18.9	19.2	19.6
x=8H y=4H	17.3	17.6	17.7	18.0	19.2	18.0	18.4	18.4	18.8	19.2
x=8H y=6H	17.5	17.8	18.0	18.3	19.5	18.4	18.7	18.8	19.1	19.5
x=8H y=8H	17.6	17.9	18.1	18.4	19.7	18.5	18.8	19.0	19.2	19.7
x=8H y=12H	17.7	17.9	18.2	18.4	19.8	18.7	18.9	19.2	19.3	19.8
x=12H y=4H	17.2	17.6	17.7	18.0	19.2	18.0	18.4	18.4	18.8	19.2
x=12H y=6H	17.5	17.8	18.0	18.2	19.5	18.4	18.6	18.8	19.1	19.5
x=12H y=8H	17.7	17.9	18.2	18.3	19.7	18.5	18.8	19.0	19.2	19.7



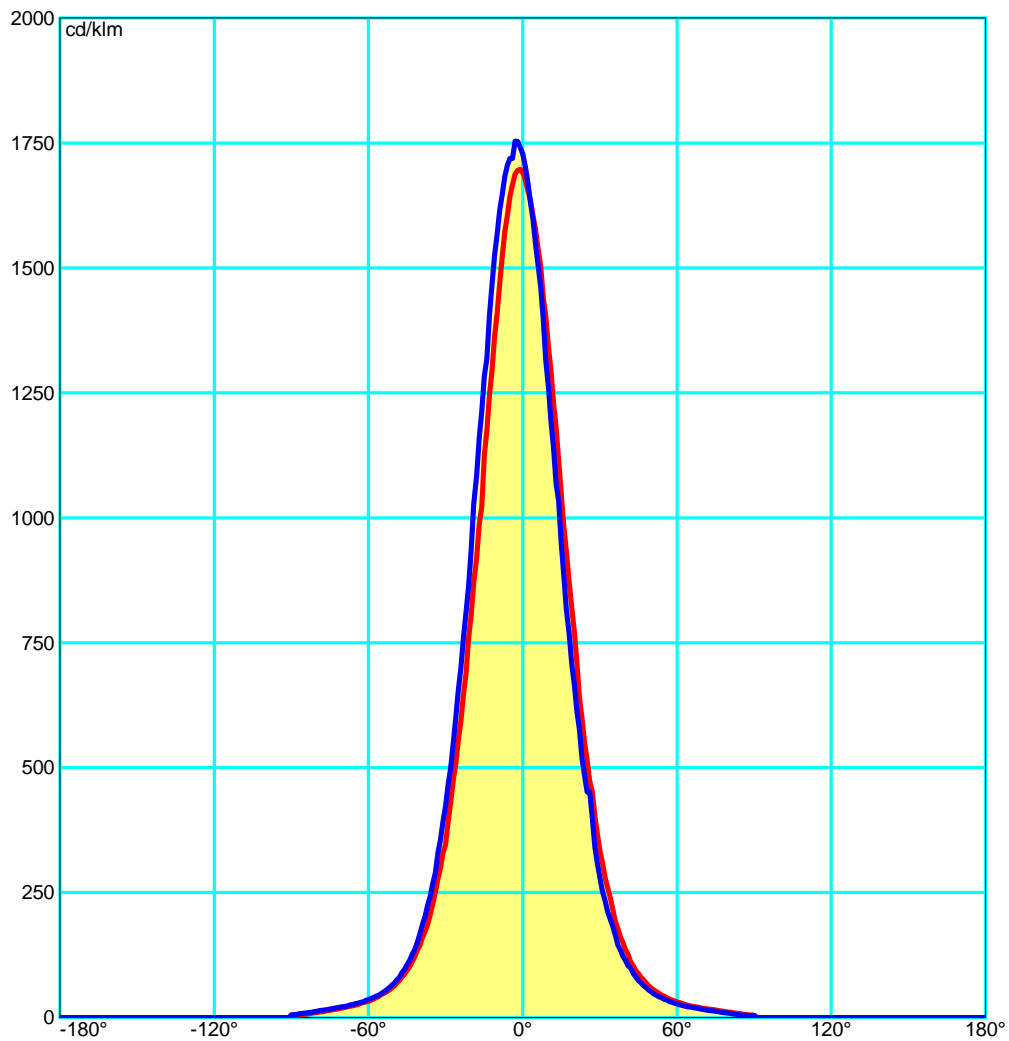
**Luminaria**  
 Código DE-0226-MRO  
 Nombre LR16  
**Ensayo**  
 Código DE-0226-MRO  
 Nombre LR16

Flujo Luminaria	549.58 lm	Potencia luminaria	6.40 W	Eficiencia	85.87 lm/W	Rendimiento	100.00%
Flujo de Lámpara	549.58 lm	Valor Máximo	1753.57 cd/klm	Posición	C=270.00 G=3.00	CG	Asimétrico

50mm x 50mm



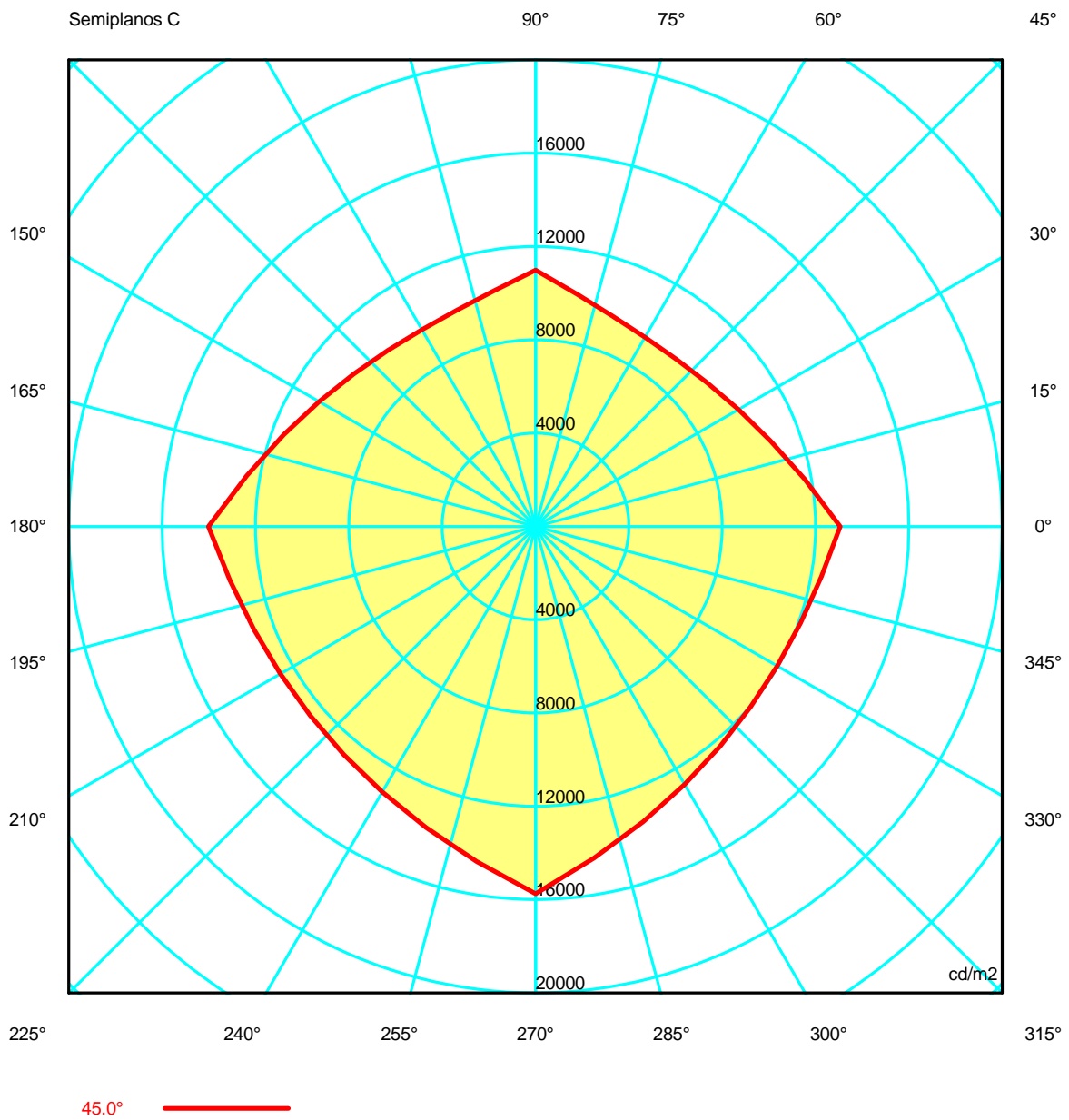
Semiplanos C  
 180.0 ——— 0.0  
 270.0 ——— 90.0



**Luminaria**  
 Código DE-0226-MRO  
 Nombre LR16  
**Ensayo**  
 Código DE-0226-MRO  
 Nombre LR16

Flujo Luminaria	549.58 lm	Potencia luminaria	6.40 W	Eficiencia	85.87 lm/W	Rendimiento	100.00%
Flujo de Lámpara	549.58 lm	Valor Máximo	1753.57 cd/klm	Posición	C=270.00 G=3.00	CG	Asimétrico

Luminancia





**Luminaria**

Código DE-0226-MRO

Nombre LR16

**Ensayo**

Código DE-0226-MRO

Nombre LR16

Flujo Luminaria	549.58 lm	Potencia luminaria	6.40 W	Eficiencia	85.87 lm/W	Rendimiento	100.00%
Flujo de Lámpara	549.58 lm	Valor Máximo	1753.57 cd/klm	Posición	C=270.00 G=3.00	CG	Asimétrico

**Luminance cd/m2 Tabla 1/3**

	C 0.00	C 10.00	C 20.00	C 30.00	C 40.00	C 50.00	C 60.00	C 70.00	C 80.00	C 90.00	C 100.00	C 110.00	C 120.00
G 0.0	371726.40	373258.44	374742.95	376132.40	377379.26	378436.01	379255.10	379789.02	379990.23	379811.20	379229.75	378325.11	377201.82
G 5.0	317450.77	311742.94	307163.95	303784.56	301661.54	300842.44	301368.96	303278.94	306606.80	311382.64	308061.24	306157.86	305658.30
G 10.0	251119.91	242123.82	234923.53	229509.66	225881.86	224057.48	224077.80	226012.58	229963.17	236063.87	231011.08	228089.36	227204.70
G 15.0	184488.93	174933.00	167361.92	161670.87	157795.83	155719.22	155475.07	157155.03	160915.68	166987.63	162249.13	159757.14	159322.68
G 20.0	128918.99	120400.36	113715.33	108686.86	105201.16	103205.57	102709.38	103788.29	106593.34	111365.27	107177.01	104919.15	104372.56
G 25.0	82683.93	76687.12	72098.44	68741.22	66504.78	65336.72	65240.45	66278.03	68578.80	72355.37	69204.83	67486.74	67018.17
G 30.0	51799.64	47450.54	44148.35	41728.44	40087.56	39172.59	38975.81	39535.91	40944.85	43362.50	41054.02	39751.75	39307.12
G 35.0	32916.66	29940.27	27719.32	26119.13	25057.38	24492.43	24418.33	24865.29	25905.74	27667.87	26061.02	25160.97	24847.72
G 40.0	20243.42	18263.78	16806.70	15769.20	15089.81	14738.06	14709.92	15028.16	15747.38	16965.73	15922.13	15357.12	15180.75
G 45.0	13056.56	11704.04	10723.39	10034.84	9591.83	9371.60	9371.24	9607.84	10122.65	10991.00	10265.09	9873.66	9747.86
G 50.0	8743.83	7835.98	7193.59	6755.94	6488.47	6374.75	6413.17	6616.97	7017.63	7673.16	7113.05	6794.15	6663.26
G 55.0	6342.69	5627.24	5124.74	4782.83	4572.21	4479.02	4501.69	4650.97	4952.97	5456.78	5039.47	4810.17	4723.98
G 60.0	4705.40	4163.41	3789.75	3540.34	3390.89	3329.92	3355.87	3476.97	3713.77	4105.66	3749.60	3542.90	3448.32
G 65.0	3681.15	3238.04	2936.97	2738.57	2621.63	2576.20	2600.95	2703.02	2900.31	3227.77	2927.64	2753.22	2671.49
G 70.0	2986.74	2618.09	2372.25	2213.30	2122.25	2090.31	2116.24	2206.19	2375.87	2656.43	2383.49	2220.32	2136.47
G 75.0	2536.22	2184.00	1948.64	1793.44	1699.12	1656.45	1663.35	1724.52	1853.34	2077.59	1845.47	1710.01	1642.63
G 80.0	1928.18	1641.78	1452.43	1327.83	1251.28	1214.72	1216.05	1258.65	1352.99	1521.48	1334.13	1224.54	1168.61
G 85.0	1392.43	1152.09	992.35	884.28	813.02	771.09	755.75	768.40	815.53	912.28	785.71	714.60	680.81
G 90.0	809.09	700.06	634.22	596.47	579.69	581.04	600.64	641.63	711.54	826.18	714.81	647.56	608.98



**Luminaria**

Código DE-0226-MRO

Nombre LR16

**Ensayo**

Código DE-0226-MRO

Nombre LR16

Flujo Luminaria	549.58 lm	Potencia luminaria	6.40 W	Eficiencia	85.87 lm/W	Rendimiento	100.00%
Flujo de Lámpara	549.58 lm	Valor Máximo	1753.57 cd/klm	Posición	C=270.00 G=3.00	CG	Asimétrico

**Luminance cd/m2 Tabla 2/3**

	C 130.00	C 140.00	C 150.00	C 160.00	C 170.00	C 180.00	C 190.00	C 200.00	C 210.00	C 220.00	C 230.00	C 240.00	C 250.00
G 0.0	375964.46	374717.60	373565.80	372613.62	371965.63	371726.40	371965.63	372613.62	373565.80	374717.60	375964.46	377201.82	378325.11
G 5.0	306544.39	308794.73	312384.02	317280.89	323444.22	330818.10	329114.98	328363.53	328543.48	329620.31	331544.26	334248.12	337643.69
G 10.0	228295.93	231334.91	236325.08	243298.61	252311.86	263438.45	261517.65	261133.78	262179.54	264558.22	268178.54	272947.20	278759.17
G 15.0	160828.78	164223.21	169512.92	176759.98	186078.25	197629.86	195461.99	194806.09	195546.24	197595.73	200890.51	205381.61	211026.22
G 20.0	105406.05	107963.35	112055.38	117757.15	125208.29	134616.92	132368.47	131438.74	131709.97	133106.96	135589.46	139146.07	143788.62
G 25.0	67696.63	69486.55	72412.89	76560.81	82081.05	89201.49	87262.07	86404.03	86501.23	87476.81	89292.87	91943.70	95451.38
G 30.0	39638.96	40720.28	42572.80	45267.60	48932.21	53765.14	52423.61	51866.23	51985.82	52720.84	54044.92	55960.94	58498.50
G 35.0	25055.72	25761.21	26976.86	28752.10	31178.97	34405.13	33192.20	32538.68	32361.93	32616.37	33284.94	34375.15	35918.66
G 40.0	15344.73	15831.58	16650.13	17835.76	19455.36	21618.47	20704.38	20174.27	19966.29	20047.18	20405.31	21047.80	22000.83
G 45.0	9851.06	10169.58	10708.94	11493.93	12572.64	14025.77	13301.56	12852.69	12630.49	12609.10	12779.56	13147.52	13733.89
G 50.0	6692.20	6870.14	7200.50	7701.11	8407.56	9381.22	8788.04	8407.34	8196.60	8133.15	8208.37	8425.59	8800.54
G 55.0	4757.42	4901.28	5157.78	5540.58	6077.59	6817.92	6330.20	6007.48	5814.61	5733.07	5755.93	5886.06	6136.63
G 60.0	3446.73	3530.91	3703.19	3975.67	4373.10	4940.01	4569.10	4336.39	4209.34	4171.10	4215.23	4343.81	4567.73
G 65.0	2665.83	2730.12	2866.53	3085.90	3410.52	3881.21	3569.90	3377.96	3275.26	3246.43	3285.64	3394.61	3582.97
G 70.0	2116.80	2155.64	2254.79	2423.78	2682.72	3069.31	2803.13	2643.44	2561.35	2542.40	2581.09	2678.85	2844.37
G 75.0	1629.35	1664.97	1750.93	1895.67	2117.24	2450.24	2229.06	2098.69	2033.47	2020.95	2056.69	2142.51	2286.79
G 80.0	1154.84	1179.08	1242.77	1353.22	1526.22	1792.61	1631.81	1543.96	1507.41	1512.04	1554.54	1636.82	1766.41
G 85.0	675.95	697.18	745.79	827.56	954.85	1152.35	1059.09	1014.81	1004.76	1022.51	1066.49	1138.98	1246.60
G 90.0	591.82	593.17	613.15	654.96	726.29	843.27	747.98	698.06	677.83	680.16	702.45	745.37	812.94

**Luminaria**  
 Código DE-0226-MRO  
 Nombre LR16  
**Ensayo**  
 Código DE-0226-MRO  
 Nombre LR16

Flujo Luminaria	549.58 lm	Potencia luminaria	6.40 W	Eficiencia	85.87 lm/W	Rendimiento	100.00%
Flujo de Lámpara	549.58 lm	Valor Máximo	1753.57 cd/klm	Posición	C=270.00 G=3.00	CG	Asimétrico

**Luminance cd/m2 Tabla 3/3**

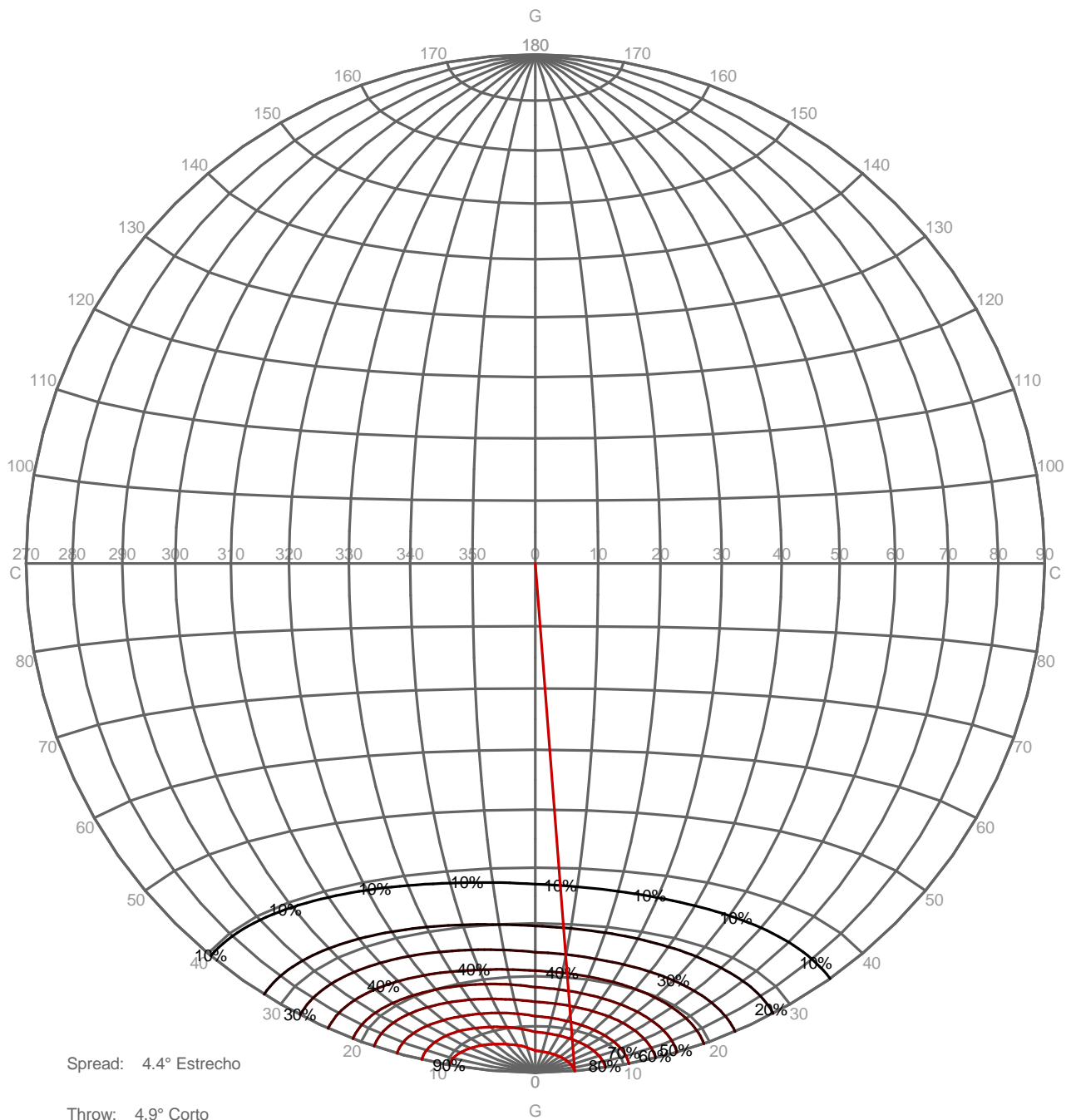
	C 260.00	C 270.00	C 280.00	C 290.00	C 300.00	C 310.00	C 320.00	C 330.00	C 340.00	C 350.00
G 0.0	379229.75	379811.20	379990.23	379789.02	379255.10	378436.01	377379.26	376132.40	374742.95	373258.44
G 5.0	341617.12	346023.04	340162.69	334764.76	329958.77	325842.31	322487.12	319944.01	318246.59	317413.70
G 10.0	285484.99	292954.52	284437.07	276682.39	269820.30	263940.09	259105.17	255364.12	252758.71	251329.60
G 15.0	217776.10	225562.10	216442.65	208424.11	201534.01	195780.95	191168.35	187704.18	185408.03	184316.74
G 20.0	149546.33	156458.16	148962.66	142657.76	137482.89	133388.98	130344.77	128341.46	127396.93	127560.54
G 25.0	99862.76	105246.85	99236.74	94242.67	90165.98	86932.96	84495.04	82829.56	81941.66	81868.14
G 30.0	61713.84	65692.04	61604.67	58282.66	55629.63	53578.55	52088.13	51141.47	50746.98	50941.94
G 35.0	37974.05	40633.45	37818.77	35622.98	33945.76	32721.64	31912.54	31504.19	31505.90	31953.50
G 40.0	23313.03	25063.15	23138.28	21671.87	20576.97	19798.64	19305.42	19085.35	19145.21	19512.80
G 45.0	14578.34	15747.07	14435.90	13468.07	12770.90	12300.09	12031.35	11956.38	12082.14	12432.95
G 50.0	9364.51	10171.56	9269.09	8623.37	8175.50	7890.91	7751.47	7752.04	7899.82	8216.46
G 55.0	6534.26	7126.06	6447.75	5977.43	5663.77	5477.53	5404.00	5439.65	5591.63	5879.85
G 60.0	4909.41	5409.23	4873.57	4501.80	4251.36	4098.42	4031.07	4046.49	4150.48	4359.41
G 65.0	3870.75	4294.86	3843.42	3532.77	3324.08	3196.00	3137.94	3147.30	3229.03	3397.42
G 70.0	3096.00	3468.24	3088.37	2830.24	2658.62	2554.60	2509.02	2519.86	2591.91	2738.50
G 75.0	2507.15	2837.12	2515.02	2301.30	2163.23	2083.79	2055.11	2075.99	2151.66	2295.82
G 80.0	1958.94	2244.51	1977.80	1800.53	1684.26	1614.42	1584.24	1592.47	1643.16	1747.37
G 85.0	1402.55	1632.50	1432.37	1300.40	1213.92	1161.62	1138.35	1143.25	1179.61	1256.34
G 90.0	914.12	1067.27	919.70	822.44	757.32	715.35	692.19	686.52	699.74	736.82

**Luminaria**  
 Código DE-0226-MRO  
 Nombre LR16  
**Ensayo**  
 Código DE-0226-MRO  
 Nombre LR16

Flujo Luminaria	549.58 lm	Potencia luminaria	6.40 W	Eficiencia	85.87 lm/W	Rendimiento	100.00%
Flujo de Lámpara	549.58 lm	Valor Máximo	1753.57 cd/klm	Posición	C=270.00 G=3.00	CG	Asimétrico

**PORCENTAJE ISOCANDELAS**

Proyección: Equivalente SLI (deslumbramiento) 8.8 Concentrado Ángulo de Inclinación: 0°

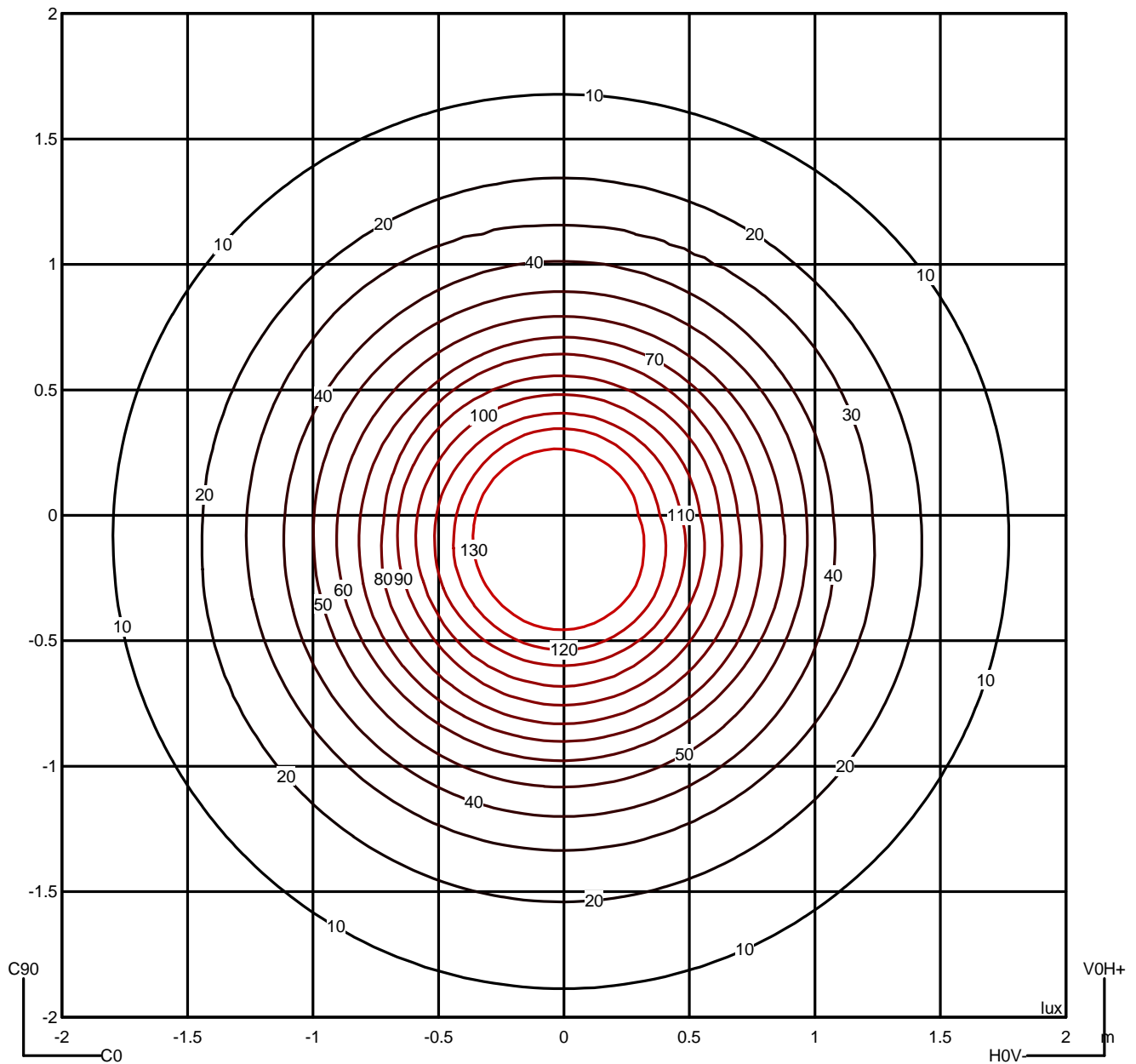


**Luminaria**  
 Código DE-0226-MRO  
 Nombre LR16  
**Ensayo**  
 Código DE-0226-MRO  
 Nombre LR16

Flujo Luminaria	549.58 lm	Potencia luminaria	6.40 W	Eficiencia	85.87 lm/W	Rendimiento	100.00%
Flujo de Lámpara	549.58 lm	Valor Máximo	1753.57 cd/klm	Posición	C=270.00 G=3.00	CG	Asimétrico

Isolux (Suelo)

Posición Luminaria X=0.00m Y=0.00m Z=2.50m

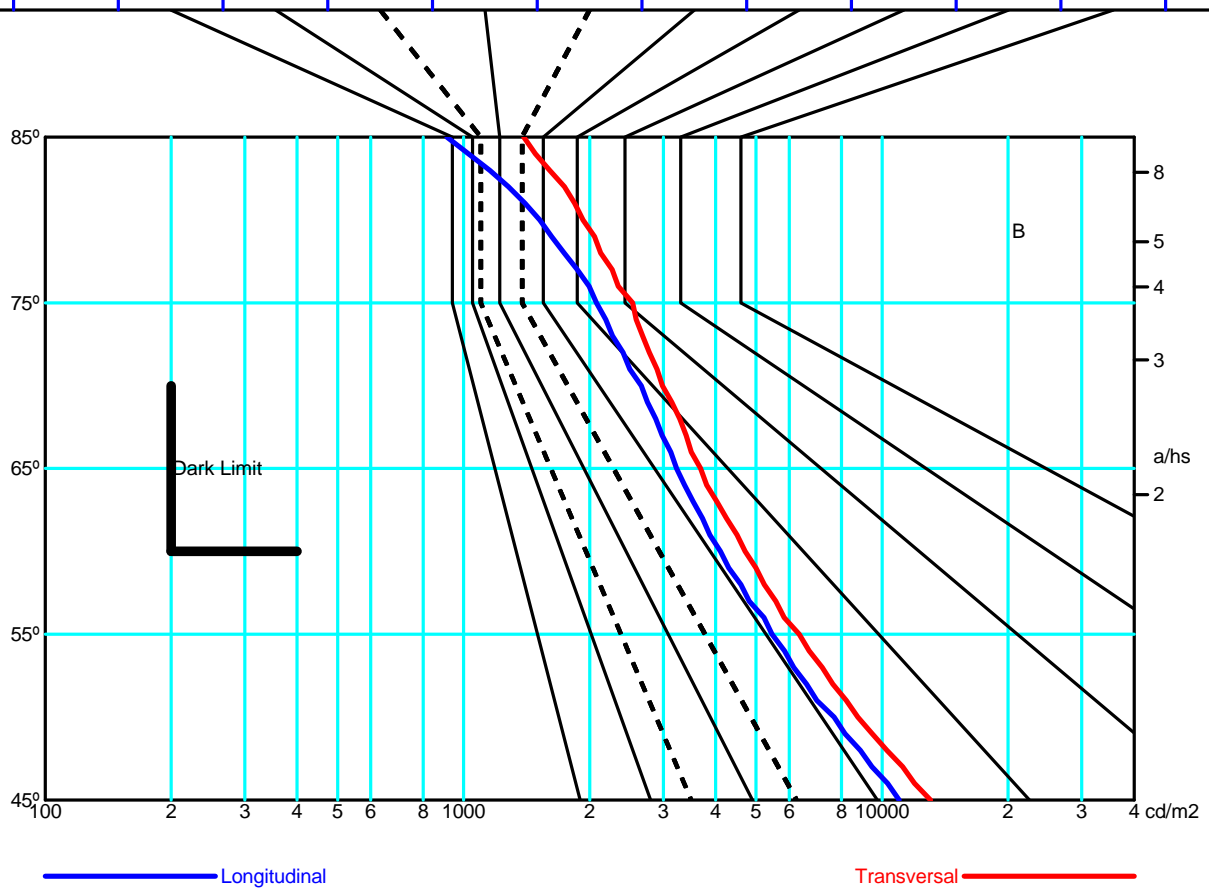


**Luminaria**  
 Código DE-0226-MRO  
 Nombre LR16  
**Ensayo**  
 Código DE-0226-MRO  
 Nombre LR16

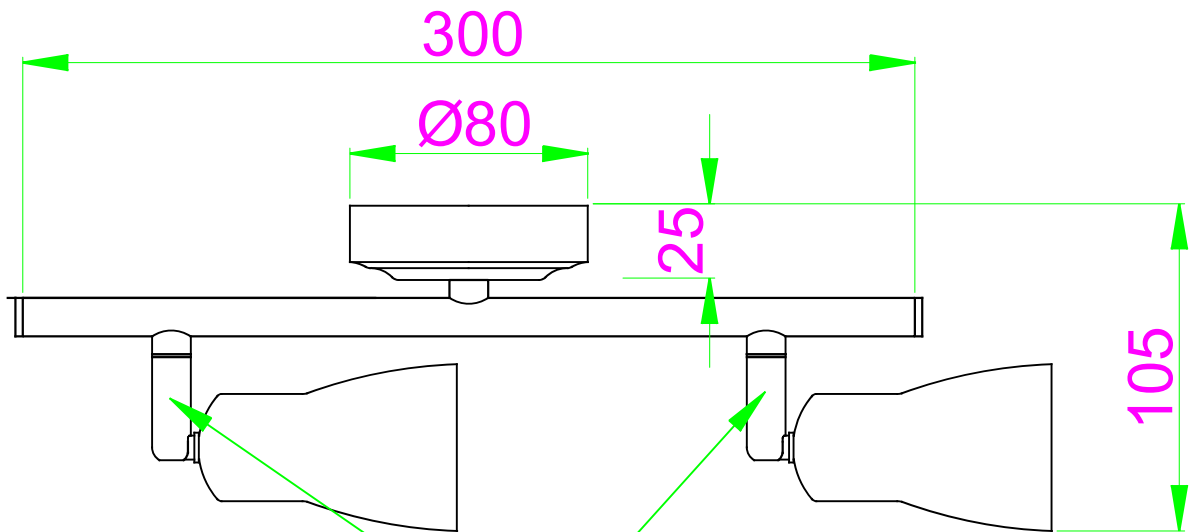
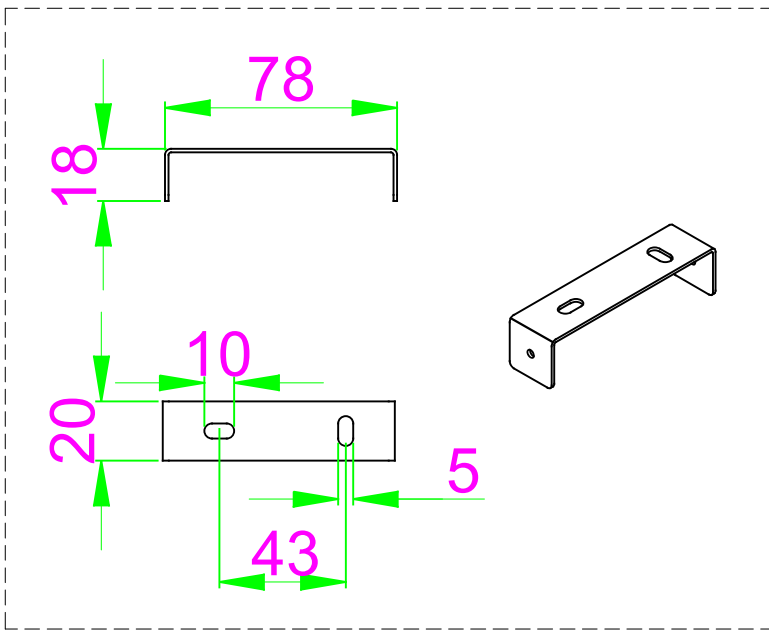
Flujo Luminaria	549.58 lm	Potencia luminaria	6.40 W	Eficiencia	85.87 lm/W	Rendimiento	100.00%
Flujo de Lámpara	549.58 lm	Valor Máximo	1753.57 cd/klm	Posición	C=270.00 G=3.00	CG	Asimétrico

		Luminancia Media [cd/m <sup>2</sup> ]									
		45°	50°	55°	60°	65°	70°	75°	80°	85°	
0.0°		13057	8744	6343	4705	3681	2987	2536	1928	1392	---
90.0°		10991	7673	5457	4106	3228	2656	2078	1521	912	---

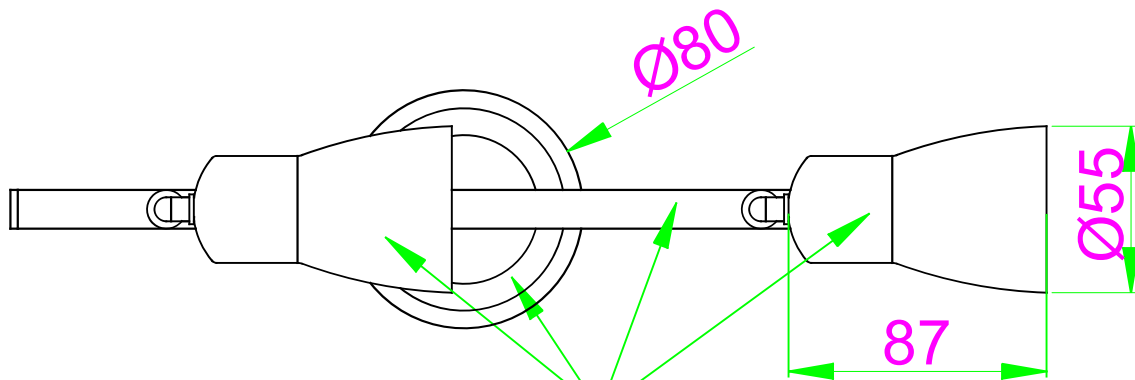
Flujo montado o vista transversal												
		Iluminancia (lx)										
A	A	2000	1000	750	500		<300					1.15
B	1		2000	1500	1000	750	500	<300				1.5
C					2000		1000	500	<300			1.85
D	2						2000	1000	500	<300		2.2
E	3							2000	1000	500	<300	2.55



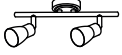




STEEL / BROWN



STEEL / BROWN



# Safran

DE-0226

FOR  
LIGHT

