

Connector PowerTOP Plus

Part Number: 3415



MENNEKES

Elektrotechnik GmbH & Co. KG
Aloys-Mennekes-Straße 1
57399 KIRCHHUNDEM GERMANY
www.MENNEKES.org

Product Description

- Screw terminals ErgoCONTACT®
- X-CONTACT®
- Strain relief and protection against kinking
- Enclosure with thread lock and safety slide

Technical Details

Connector - PowerTOP Plus	3415
Product series	PowerTOP Plus
Ampere	32 A
UL-Ampere	-
Number of Poles	4 P
Clock position	6 h
Voltage	400 V
Hertz	50-60 Hz
Current Type	AC
Protection Type	IP44
Contact carrier	Standard
Pilot contact	Without pilot contact
Connection	Screw-terminals - ErgoCONTACT®
Screw drive Contact screw	Combination head screw (PZ2 and slotted)

Conductor cross-section min.	2,5 mm ²
Conductor cross-section max.	6 mm ²
Cable kink protection	Integrated in cable gland
Dirt spout	Without dirt spout
Weight (net)	337 g
EAN / Identification number	4015394296539

Permissible ambient conditions

Permanent ambient temperature min. - max.	-25 °C - +40 °C
---	-----------------

Material properties

Hinged lid	PC similar RAL 3013 red
Cover	PA6 similar RAL 7000 grey
Front part	PA6 similar RAL 3013 red

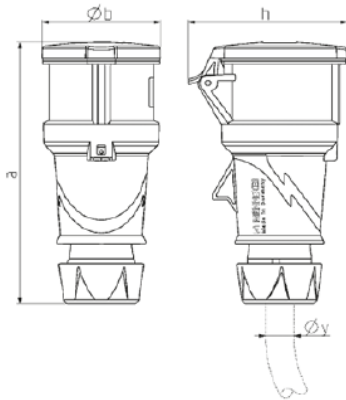
Material resistance

The material resistance overview can be found on the website in the section "Knowledge" → "Product knowledge" → "Materials"

Regulations and Standards

REACH (Regulation (EG) No. 1907/2006)	Information according to article 33 REACH: SVHC: Lead (CAS: 7439-92-1)
RoHS 2011/65/EU incl. 2015/863/EU	✓
POP Regulation (EU) 2019/1021	✓
Norm(s)	IEC 60309-2
Declaration of conformity	CE
Test mark	VDE

Dimensional drawing



Zeichnung	Amp. Pole	16			32		
		3	4	5	3	4	5
3 MB 80							
Maße in mm	a	155	167	164	202	202	200
	b	55	68	69	78	78	80
	h	72	92	98	100	100	107
y min.		7	8	8	10,5	10,5	13,5
bis max. mm		-13	-15,5	-15,5	-18	-18	-20
Klemmen für Leiterquer-		1	1	1	2,5	2,5	2,5
schnitt von bis mm²		-2,5	-2,5	-2,5	-6	-6	-6