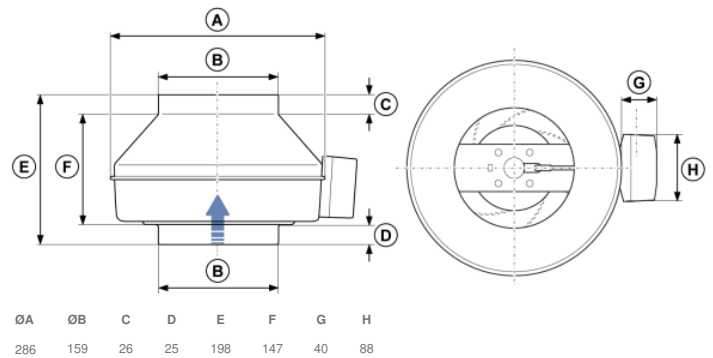




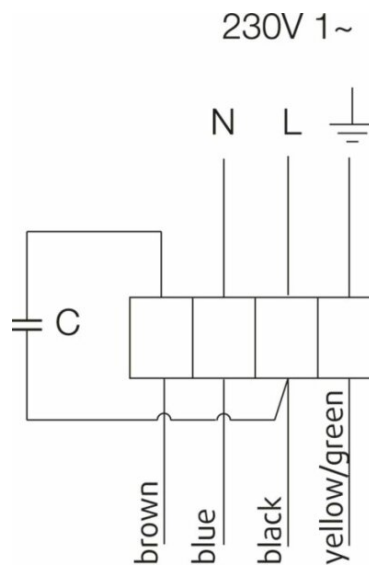
Technical parameters

| Nominal data | |
|---|---------------------------|
| Voltage (nominal) | 230 V |
| Frequency | 60 Hz |
| Phases | 1~ |
| Input power | 66 W |
| Input power kW | 0.066 kW |
| Input current | 0.292 A |
| Impeller speed | 2,538 rpm |
| Air flow | max 508 m ³ /h |
| Capacitance of capacitor | 1.5 μF |
| Temperature of transported air | max 70 °C |
| Max temperature of transported air, when speed controlled | 70 °C |
| Sound data | |
| Sound pressure level at 3m (20m ² Sabin) | 42 dB(A) |
| Protection/Classification | |
| Enclosure class, motor | IP44 |
| Insulation class | B |
| Data according to ErP | |
| Energy class, Basic unit | E |
| Energy class, Local demand | C |
| ErP ready | ErP 2016; ErP 2018 |
| Dimensions and weights | |
| Duct dimension; Circular, inlet | 160 mm |
| Duct dimension; Circular, outlet | 160 mm |
| Weight | 3.3 kg |
| Others | |
| Duct connection type | Circular |
| Motor type | AC |

Dimension

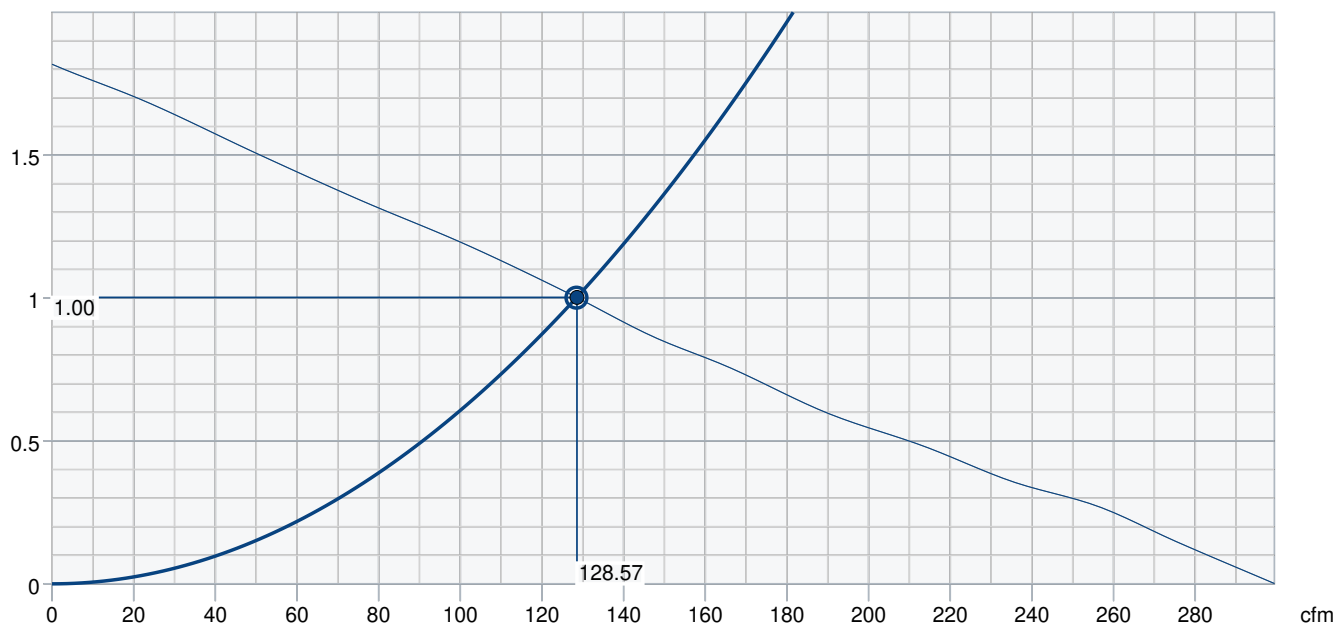


Wiring



Performance curve

in. wg.



| Hydraulic data | | | | | | | | | | |
|--|-------|----|-----|-----|-----|----|----|----|----|---------------|
| Required air flow | | | | | | | | | | 128.45 cfm |
| Required static pressure | | | | | | | | | | 1.00 in. wg. |
| Working air flow | | | | | | | | | | 128.57 cfm |
| Working static pressure | | | | | | | | | | 1.00 in. wg. |
| Air density | | | | | | | | | | 1.204 kg/m³ |
| Power | | | | | | | | | | 64.1 W |
| Fan control - RPM | | | | | | | | | | 2,632 rpm |
| Current | | | | | | | | | | 0.28 A |
| SFP | | | | | | | | | | 1.056 kW/m³/s |
| Control voltage | | | | | | | | | | 230.0 V |
| Supply voltage | | | | | | | | | | 230 V |
| Sound power level | | 63 | 125 | 250 | 500 | 1k | 2k | 4k | 8k | Total |
| Inlet | dB(A) | 43 | 62 | 61 | 60 | 60 | 60 | 54 | 44 | 68 |
| Outlet | dB(A) | 48 | 59 | 64 | 58 | 60 | 60 | 55 | 44 | 68 |
| Surrounding | dB(A) | 15 | 22 | 34 | 42 | 39 | 42 | 36 | 26 | 47 |
| Sound pressure level at 3m (20m² Sabine) | dB(A) | - | - | - | - | - | - | - | - | 40 |
| Sound pressure level at 3m free field | dB(A) | - | - | - | - | - | - | - | - | 26 |

Accessories

Frequency converter FRQ5SE-6A (37421)

RE 1,5 Speed control (5000)

REPT 6 Digital regulator (5698)

REU 1.5 Speed control (5004)

SG 160 Protection guard (5608)

CO2RT-R-D Transmitter (6993)

Frequency converter FRQSE-6A (37419)

Presence detector/IR24-P (6995)

Safety switch 2-pole grey (210679)

CB 160-1,2 230V/1 Duct heater (5291)

CB 160-2,7 230V/1 Duct heater (5382)

CBM 160-2,1 230V/1 Duct heater (5482)

CWK 160-3-2,5 Duct cooler,circ (30022)

FGR 160 Filter cassette (1809)

LDC 160-300 Silencer (53108)

LDC 160-900 Silencer (5193)

THB 160 Hood w.cover pl. black (1764)

VBC 160-2 Water heating batt (5458)

VBF 160 Water heating battery (1731)

IGK-160 Wall Grid (1632)

REE 1 Speed control (5314)

RETP 6 Temp/Pressure regulator (32293)

REV-3POL/03-7,5kW R/Y (33978)

VKK-160 Back draft damper (1625)

DTV500A (96807)

HR1 Room Humidistat (215150)

RT 0-30 Room Thermostat (5151)

T 120 Timer (5165)

CB 160-2,1 230V/1 Duct heater (5292)

CB 160-5,0 400V/2 Duct heater (5383)

CBMF 160-2,1 230V/1 Duct heater (12244)

FFR 160 Filter cassette (1770)

FK 160 Fast clamp (1610)

LDC 160-600 Silencer (5192)

RSK-160 Back draft damper (5601)

THS 160 Hood w.cover pl. black (1839)

VBC 160-3 Water heating batt (9840)

Room hygrosat HR-S (286251)

Documents

INSTALLATION_OPERATION_AND_MAINTENANCE_INSTRUCTION_K_KV_PRIO_EN_009.PDF

COMMISSIONING_RECORD_FANS_EN.PDF

K fan mounting.wmv