

AW-E 200 E2 AXIAL FAN

Version: 60 Hz



Technical parameters

Nominal data

Voltage	220	V
Frequency	60	Hz
Phase	1	~
Input power (P1)	65	W
Current	0.28	A
Max. airflow	890	m ³ /h
Fan impeller speed	2700	r.p.m.

Temperature data

Max. temperature of transported air	60	°C
-------------------------------------	----	----

Sound data

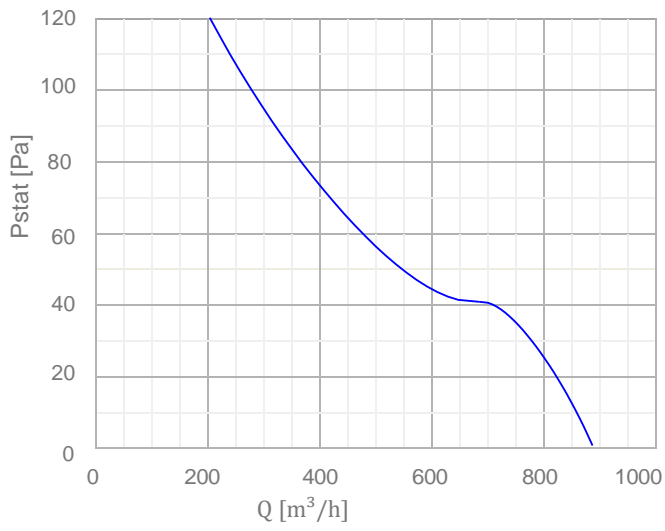
Sound pressure level at 1 m	53	dB(A)
-----------------------------	----	-------

Protection / Classification

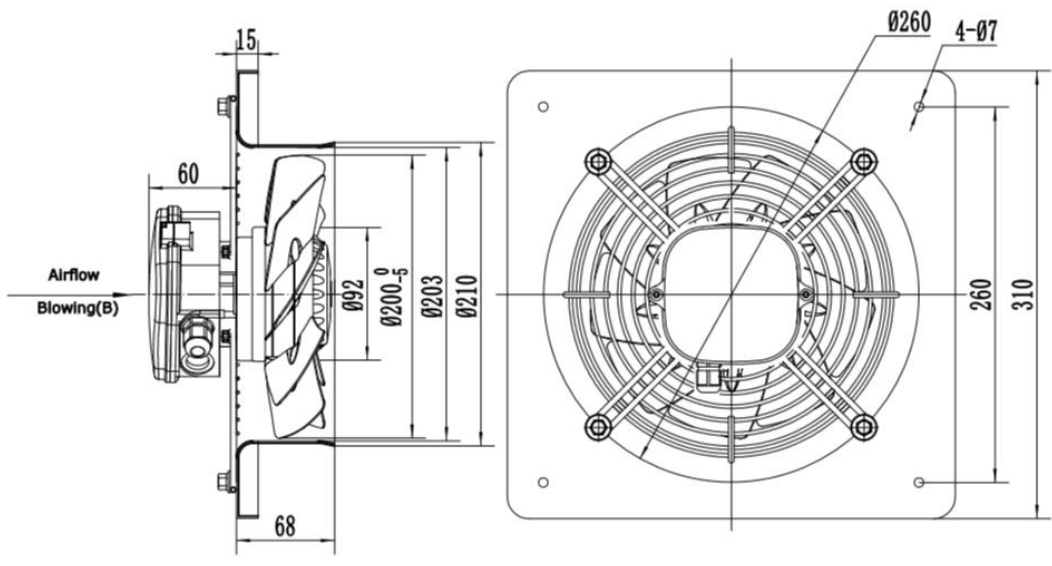
Insulation class	F
Enclosure class, motor	IP54
Weight	3.5 Kg

Performance

Diagrams



Dimensions



Wiring

