

## AW-E 250 E2 AXIAL FAN

Version: 60 Hz



### Technical parameters

#### Nominal data

Voltage	220 V
Frequency	60 Hz
Phase	1 ~
Input power (P1)	110 W
Current	0.52 A
Max. airflow	1700 m <sup>3</sup> /h
Fan impeller speed	2400 r.p.m.

#### Temperature data

Max. temperature of transported air	60 °C
-------------------------------------	-------

#### Sound data

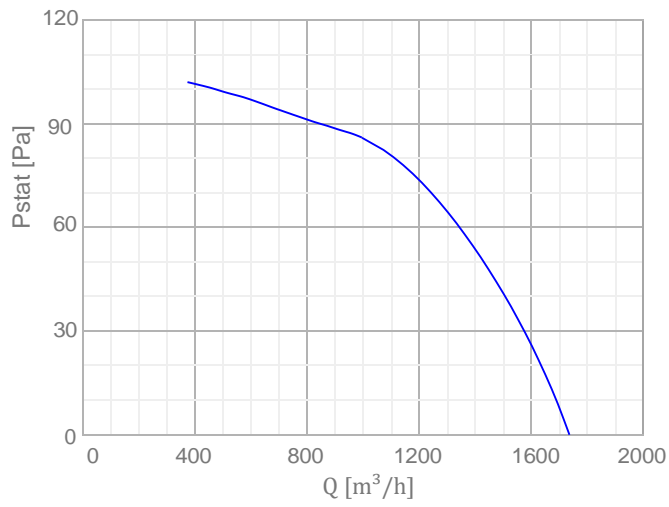
Sound pressure level at 1 m	60 dB(A)
-----------------------------	----------

#### Protection / Classification

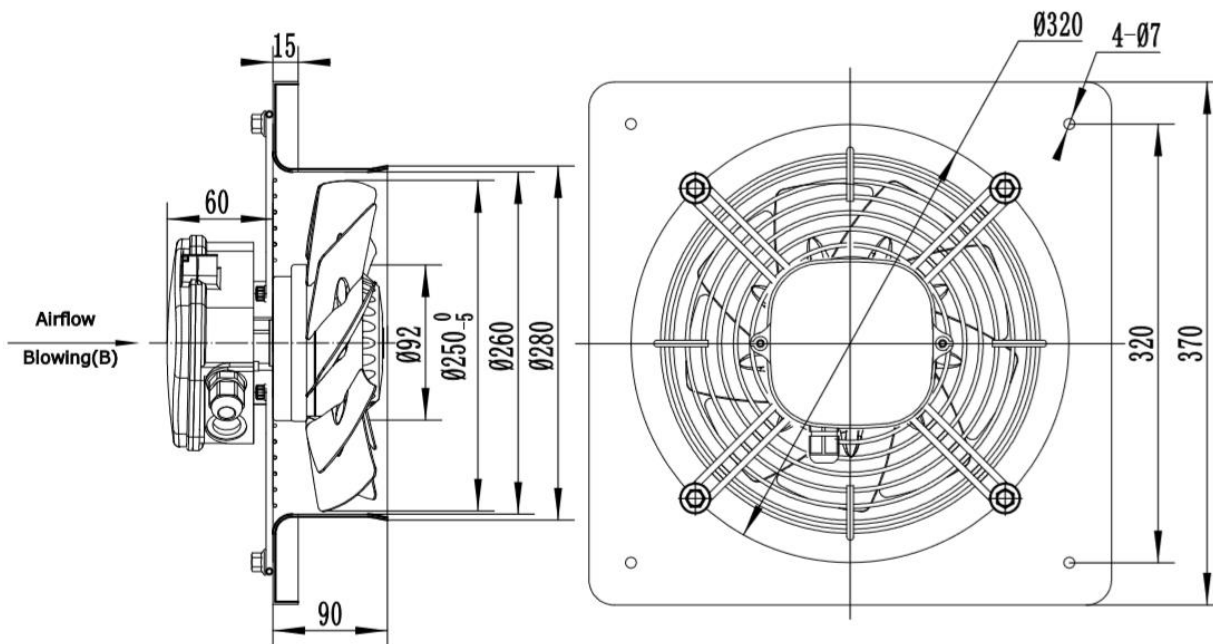
Insulation class	B
Enclosure class, motor	IP54
Weight	4 Kg

## Performance

### Diagrams



### Dimensions



### Wiring

