

AW-E 250 E4 AXIAL FAN

Version: 60 Hz



Technical parameters

Nominal data

Voltage	220	V
Frequency	60	Hz
Phase	1	~
Input power (P1)	52	W
Current	0.25	A
Max. airflow	1040	m ³ /h
Fan impeller speed	1650	r.p.m.

Temperature data

Max. temperature of transported air	60	°C
-------------------------------------	----	----

Sound data

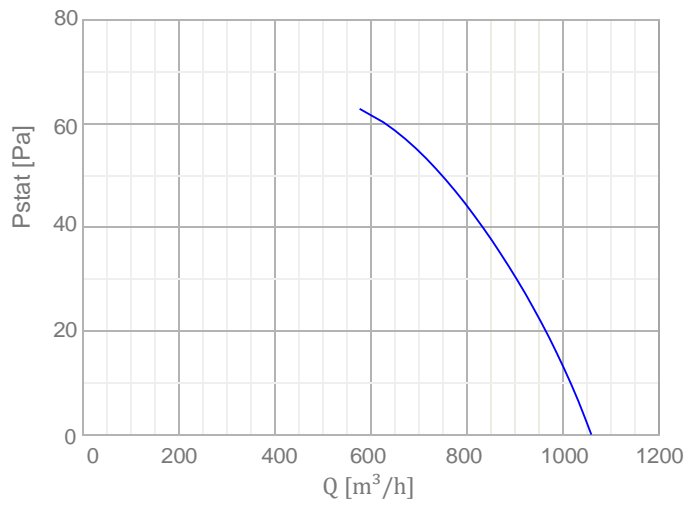
Sound pressure level at 1 m	56	dB(A)
-----------------------------	----	-------

Protection / Classification

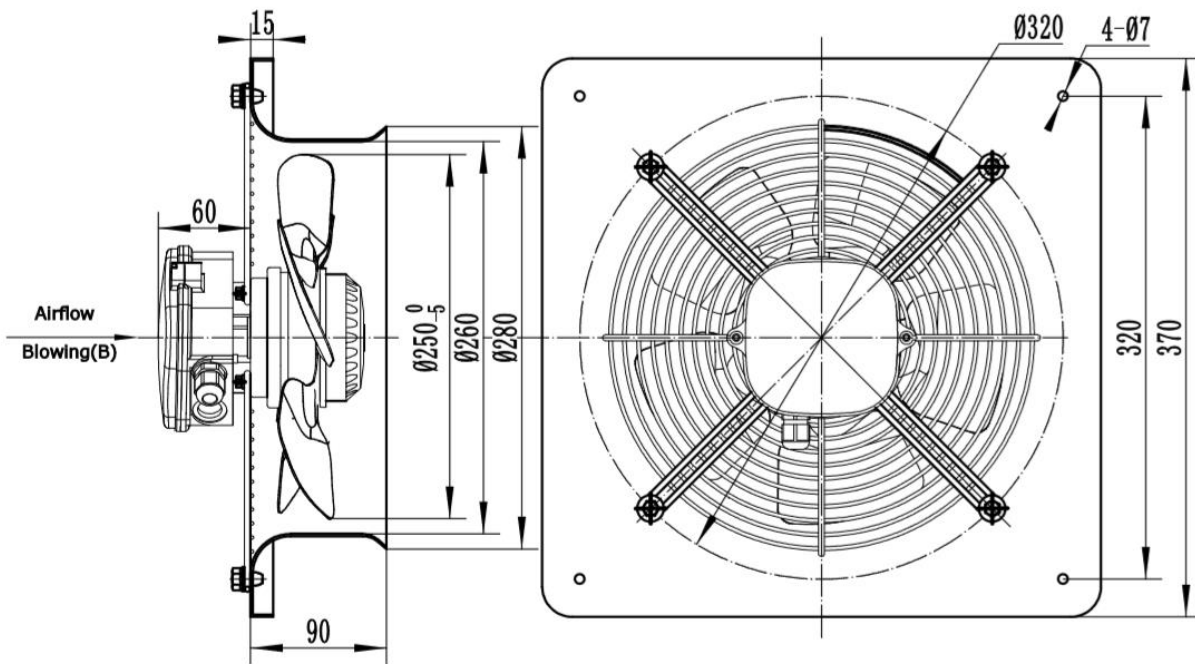
Insulation class	B
Enclosure class, motor	IP54
Weight	4 Kg

Performance

Diagrams



Dimensions



Wiring

