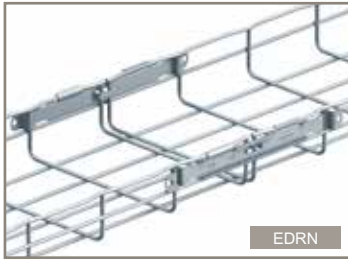
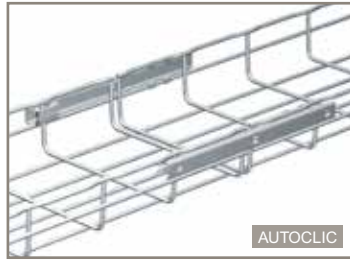


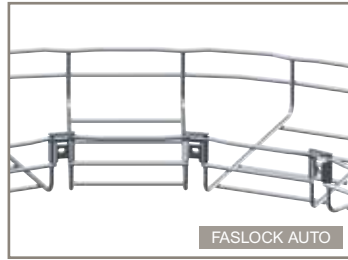
**couplers and connectors – EDRN - AUTOCLIC - ED275/1100 - FASLOCK AUTO - CEFAS - R15/25/35**



EDRN



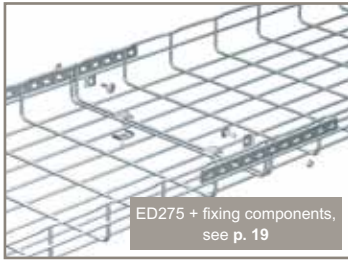
AUTOCLIC



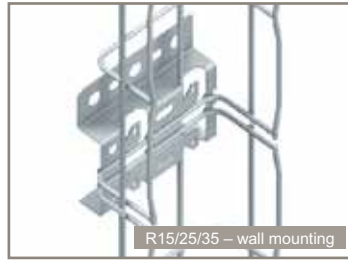
FASLOCK AUTO



CEFAS



ED275 + fixing components, see p. 19



R15/25/35 – wall mounting

Dimensions and technical information p. 48-51

**NOTE : please use Cat. No. when placing your order**

Pack	Cat. Nos.	EDRN – couplers				
50	<table border="0"> <tr> <td></td> <td></td> </tr> <tr> <td>CM558241</td> <td>CM558247</td> </tr> </table>			CM558241	CM558247	⤴ 30 → 150 mm ⤵ 50 → 600 mm Supplied with one fixing tool in each pack of 50 couplers For technical information, see p. 48
CM558241	CM558247					
50	<table border="0"> <tr> <td></td> <td></td> </tr> <tr> <td>-</td> <td>CM558244</td> </tr> </table>			-	CM558244	
-	CM558244					

Pack	Cat. Nos.	AUTOCLIC – couplers				
50	<table border="0"> <tr> <td></td> <td></td> </tr> <tr> <td>CM558280</td> <td>CM558283</td> </tr> </table>			CM558280	CM558283	⤴ 54 / 105 mm ⤵ 50 → 600 mm Rapid fit with screwdriver (not included) For technical information, see p. 48
CM558280	CM558283					
50	<table border="0"> <tr> <td></td> <td></td> </tr> <tr> <td>CM558288</td> <td>CM558284</td> </tr> </table>			CM558288	CM558284	
CM558288	CM558284					

Pack	Cat. Nos.	ED275 – joint strips									
50	<table border="0"> <tr> <td></td> <td></td> </tr> <tr> <td>CM558221</td> <td>CM558223</td> </tr> </table>			CM558221	CM558223	⤴ 54 / 105 / 150 mm ⤵ 50 → 600 mm For technical information, see p. 49					
CM558221	CM558223										
1	<table border="0"> <tr> <td></td> <td></td> </tr> <tr> <td>CM558228</td> <td>CM558224</td> </tr> </table>			CM558228	CM558224	<table border="0"> <tr> <td>ED275</td> <td>275</td> <td rowspan="2"> </td> </tr> <tr> <td>ED275</td> <td>275</td> </tr> </table>	ED275	275		ED275	275
CM558228	CM558224										
ED275	275										
ED275	275										

Pack	Cat. Nos.	ED1100 – joint strips									
1	<table border="0"> <tr> <td></td> <td></td> </tr> <tr> <td>CM558201</td> <td>CM558203</td> </tr> </table>			CM558201	CM558203	⤴ 54 / 105 / 150 mm ⤵ 50 → 600 mm For technical information, see p. 49					
CM558201	CM558203										
1	<table border="0"> <tr> <td></td> <td></td> </tr> <tr> <td>-</td> <td>CM558204</td> </tr> </table>			-	CM558204	<table border="0"> <tr> <td>ED1100</td> <td>1100</td> <td rowspan="2"> </td> </tr> <tr> <td>ED1100</td> <td>1100</td> </tr> </table>	ED1100	1100		ED1100	1100
-	CM558204										
ED1100	1100										
ED1100	1100										

Key :	EZ	GS	GC	Z+	DC	304L	316L
	Electrogalvanising after manufacture	Pre-galvanised	Hot dip galvanised after manufacture	Continuous galvanisation before manufacture	Geomet	Stainless steel 304L	Stainless steel 316L
	For detailed information related to finishes, refer to p. 116-117						

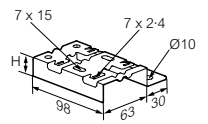
**NOTE : please use Cat. No. when placing your order**

Pack	Cat. Nos.	FASLOCK AUTO – connectors				
25	<table border="0"> <tr> <td></td> <td></td> </tr> <tr> <td>CM558340</td> <td>CM558347</td> </tr> </table>			CM558340	CM558347	⤴ 30 → 150 mm ⤵ 100 → 600 mm For technical information, see p. 49
CM558340	CM558347					
25	<table border="0"> <tr> <td></td> <td></td> </tr> <tr> <td>CM558320</td> <td>CM558327</td> </tr> </table>			CM558320	CM558327	FASLOCK S ⤴ 100 → 200 mm FASLOCK XL ⤴ 300 → 600 mm
CM558320	CM558327					
25	<table border="0"> <tr> <td>-</td> <td></td> </tr> <tr> <td>-</td> <td>CM558344</td> </tr> </table>	-		-	CM558344	FASLOCK S ⤴ 100 → 200 mm
-						
-	CM558344					
25	<table border="0"> <tr> <td>-</td> <td></td> </tr> <tr> <td>-</td> <td>CM558324</td> </tr> </table>	-		-	CM558324	FASLOCK XL ⤴ 300 → 600 mm
-						
-	CM558324					

Pack	Cat. Nos.	CEFAS – base couplers				
50	<table border="0"> <tr> <td></td> <td></td> </tr> <tr> <td>CM558410</td> <td>CM558417</td> </tr> </table>			CM558410	CM558417	⤴ 30 → 150 mm ⤵ 100 → 600 mm For technical information, see p. 50
CM558410	CM558417					
50	<table border="0"> <tr> <td></td> <td></td> </tr> <tr> <td>-</td> <td>CM558414</td> </tr> </table>			-	CM558414	
-	CM558414					

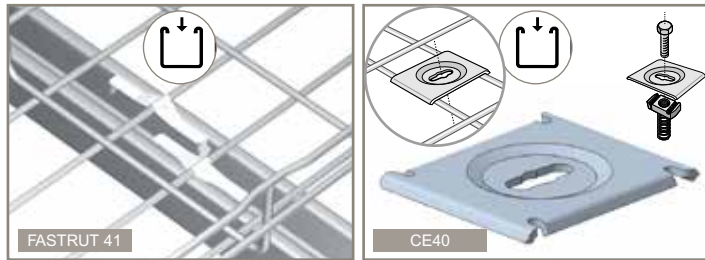
Pack	Cat. Nos.	R15 / R25 / R35 – stand-off brackets				
1	<table border="0"> <tr> <td></td> <td></td> </tr> <tr> <td>CM586170</td> <td>CM586173</td> </tr> </table>			CM586170	CM586173	⤴ 30 → 105 mm ⤵ 100 → 600 mm For technical information, see p. 50
CM586170	CM586173					
1	<table border="0"> <tr> <td></td> <td></td> </tr> <tr> <td>CM586610</td> <td>CM586617</td> </tr> </table>			CM586610	CM586617	R15/100
CM586610	CM586617					
1	<table border="0"> <tr> <td></td> <td></td> </tr> <tr> <td>CM586640</td> <td>CM586647</td> </tr> </table>			CM586640	CM586647	R15/300
CM586640	CM586647					
1	<table border="0"> <tr> <td></td> <td></td> </tr> <tr> <td>CM586650</td> <td>CM586657</td> </tr> </table>			CM586650	CM586657	R25
CM586650	CM586657					
1	<table border="0"> <tr> <td></td> <td></td> </tr> <tr> <td>-</td> <td>CM586174</td> </tr> </table>			-	CM586174	R35
-	CM586174					
1	<table border="0"> <tr> <td></td> <td></td> </tr> <tr> <td>-</td> <td>CM586174</td> </tr> </table>			-	CM586174	R15/100
-	CM586174					

H (mm)	daN
15	100
15	100
25	100
35	100
15	100

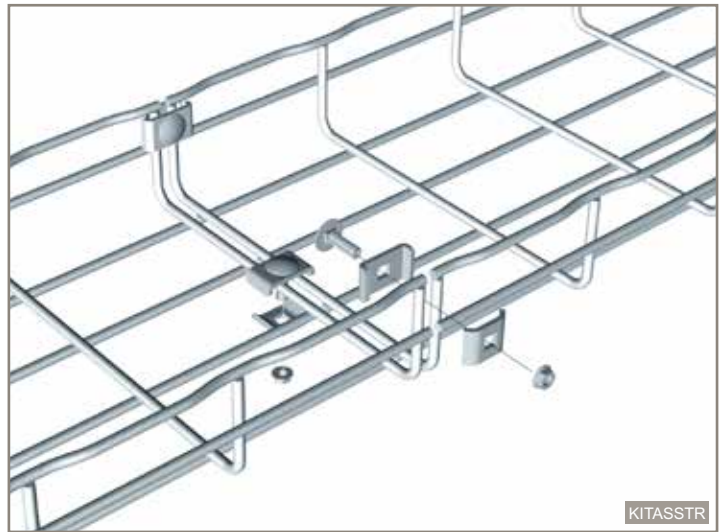


All dimensions (mm) are nominal

**channel strut clips – FASTRUT 41 / CE40  
fixing components – CE25/CE30**



**fixing kits – KITS**



Dimensions and technical information p. 48-51

**NOTE : please use Cat. No. when placing your order**

Pack	Cat. Nos.	<b>FASTRUT 41 – channel strut clip</b>								
50	<table border="1"> <tr> <td><b>DC</b></td> <td><b>316L</b></td> </tr> <tr> <td>CM599007</td> <td>CM599004</td> </tr> </table>	<b>DC</b>	<b>316L</b>	CM599007	CM599004	⤴ 30 / 54 / 105 mm ⤵ 100 → 600 mm Use to secure steel wire cable tray to channel section or channel type cantilever arms For technical information, see p. 51				
<b>DC</b>	<b>316L</b>									
CM599007	CM599004									
		<b>CE40 – hold down clamps</b>								
		⤴ 30 → 150mm ⤵ 100 → 600 mm For technical information, see p. 69								
25	<table border="1"> <tr> <td><b>EZ</b></td> <td><b>DC</b></td> </tr> <tr> <td>CM558051</td> <td>CM558053</td> </tr> <tr> <td><b>304L</b></td> <td><b>316L</b></td> </tr> <tr> <td>CM558058</td> <td>CM558054</td> </tr> </table>	<b>EZ</b>	<b>DC</b>	CM558051	CM558053	<b>304L</b>	<b>316L</b>	CM558058	CM558054	100 
<b>EZ</b>	<b>DC</b>									
CM558051	CM558053									
<b>304L</b>	<b>316L</b>									
CM558058	CM558054									

Pack	Cat. Nos.	<b>CE25 / CE30 – fixing components</b>				
100	<table border="1"> <tr> <td><b>EZ</b></td> <td><b>DC</b></td> </tr> <tr> <td>CM801011</td> <td>CM801017</td> </tr> </table>	<b>EZ</b>	<b>DC</b>	CM801011	CM801017	BTRCC 6 x 20 
<b>EZ</b>	<b>DC</b>					
CM801011	CM801017					
50	<table border="1"> <tr> <td>CM558011</td> <td>CM558013</td> </tr> </table>	CM558011	CM558013	CE25 		
CM558011	CM558013					
50	<table border="1"> <tr> <td>CM558041</td> <td>CM558043</td> </tr> </table>	CM558041	CM558043	CE30 		
CM558041	CM558043					

Pack	Cat. Nos.	<b>CE25 / CE30 stainless steel – fixing components</b>				
100	<table border="1"> <tr> <td><b>304L</b></td> <td><b>316L</b></td> </tr> <tr> <td>CM801018</td> <td>CM801014</td> </tr> </table>	<b>304L</b>	<b>316L</b>	CM801018	CM801014	BTRCC 6 x 20 
<b>304L</b>	<b>316L</b>					
CM801018	CM801014					
50	<table border="1"> <tr> <td>CM558018</td> <td>CM558014</td> </tr> </table>	CM558018	CM558014	CE25 		
CM558018	CM558014					
50	<table border="1"> <tr> <td>CM558048</td> <td>CM558044</td> </tr> </table>	CM558048	CM558044	CE30 		
CM558048	CM558044					

Dimensions and technical information p. 51

**NOTE : please use Cat. No. when placing your order**

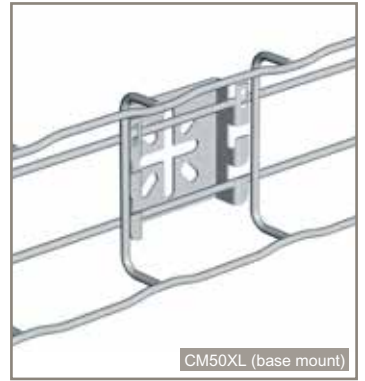
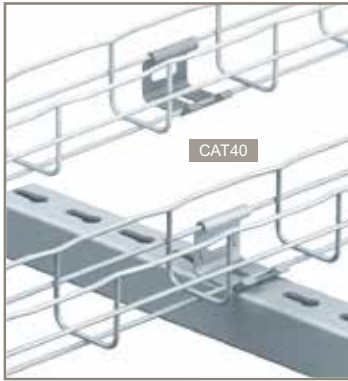
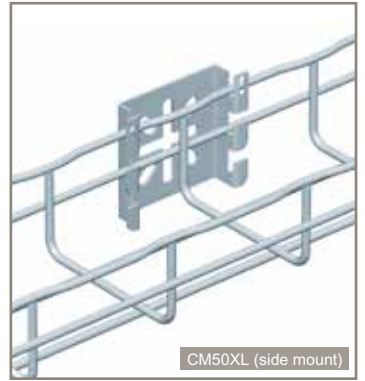
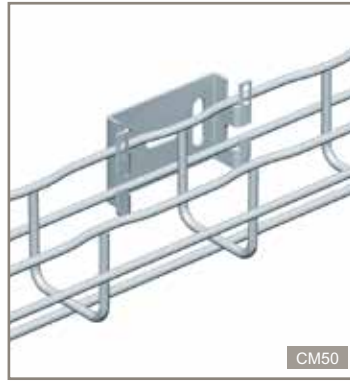
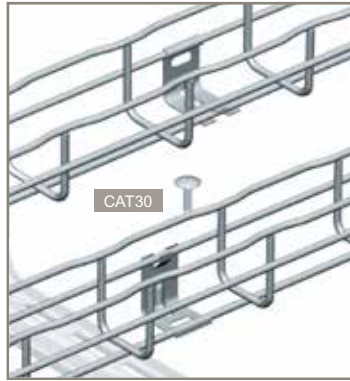
Pack	Cat. Nos.	<b>KITS – fixing kits</b>				
50	<table border="1"> <tr> <td><b>EZ</b></td> <td><b>DC</b></td> </tr> <tr> <td>CM558081</td> <td>CM558087</td> </tr> </table>	<b>EZ</b>	<b>DC</b>	CM558081	CM558087	⤴ 30 → 150 mm ⤵ 50 → 600 mm <b>KITASSTR</b> CE25+CE30+BTRCC 6 x 20 Kits comprise large clamp plate, small clamp plate, M6 nut and M6 x 20 coach bolt 
<b>EZ</b>	<b>DC</b>					
CM558081	CM558087					
50	<table border="1"> <tr> <td><b>EZ</b></td> <td><b>DC</b></td> </tr> <tr> <td>CM558071</td> <td>CM558077</td> </tr> </table>	<b>EZ</b>	<b>DC</b>	CM558071	CM558077	<b>KITASSVS</b> CE25VS+CE30ES Kits comprise large clamp plate with integrated bolt and small clamp plate with integrated bolt 
<b>EZ</b>	<b>DC</b>					
CM558071	CM558077					
50	<table border="1"> <tr> <td><b>EZ</b></td> <td><b>DC</b></td> </tr> <tr> <td>CM558091</td> <td>-</td> </tr> </table>	<b>EZ</b>	<b>DC</b>	CM558091	-	<b>KITFIXTR</b> CE25+BTRCC 6 X 20 Kits comprise small clamp plate, M6 nut and M6 x 20 coach bolt 
<b>EZ</b>	<b>DC</b>					
CM558091	-					
50	<table border="1"> <tr> <td><b>EZ</b></td> <td><b>DC</b></td> </tr> <tr> <td>CM558061</td> <td>-</td> </tr> </table>	<b>EZ</b>	<b>DC</b>	CM558061	-	<b>KITFIXVS</b> CE25VS+EEC6 Kits comprise small clamp plate with M6 nut and integrated bolt 
<b>EZ</b>	<b>DC</b>					
CM558061	-					

Pack	Cat. Nos.	<b>KITS – stainless steel fixing kits</b>				
50	<table border="1"> <tr> <td><b>304L</b></td> <td><b>316L</b></td> </tr> <tr> <td>-</td> <td>CM558954</td> </tr> </table>	<b>304L</b>	<b>316L</b>	-	CM558954	⤴ 30 → 150 mm ⤵ 50 → 600 mm <b>KITINOX stainless steel</b> CE25VS+CE30+EEC6 Kits comprise large clamp plate, small clamp plate with integrated bolt and M6 nut 
<b>304L</b>	<b>316L</b>					
-	CM558954					
100	<table border="1"> <tr> <td><b>304L</b></td> <td><b>316L</b></td> </tr> <tr> <td>-</td> <td>CM558084</td> </tr> </table>	<b>304L</b>	<b>316L</b>	-	CM558084	<b>KITASSTR stainless steel</b> CE25+CE30+BTRCC 6 x 20 Kits comprise large clamp plate, small clamp plate, M6 nut and M6 x 20 coach bolt 
<b>304L</b>	<b>316L</b>					
-	CM558084					

<b>Key :</b>	<b>EZ</b> Electrogalvanising after manufacture	<b>304L</b> Stainless steel 304L
	<b>GC</b> Hot dip galvanised after manufacture	<b>316L</b> Stainless steel 316L
	<b>DC</b> Geomet	For detailed information related to finishes, refer to p. 116-117

All dimensions (mm) are nominal

**wall mounting – UC50 - CAT30 - CAT40 - CM50 - CM50XL**



Dimensions and technical information p. 52-55

**NOTE : please use Cat. No. when placing your order**

Pack	Cat. Nos.	<b>UC50 – support cradles</b>								
		$\updownarrow 30 \rightarrow 54 \text{ mm}$ $\leftrightarrow 50 \text{ mm}$ For technical information, see p. 52 								
1	<table border="0"> <tr> <td> GS</td> <td> GC</td> </tr> <tr> <td>CM586040</td> <td>CM586043</td> </tr> <tr> <td> 304L</td> <td> 316L</td> </tr> <tr> <td>CM586048</td> <td>CM586044</td> </tr> </table>	GS	GC	CM586040	CM586043	304L	316L	CM586048	CM586044	daN 12
GS	GC									
CM586040	CM586043									
304L	316L									
CM586048	CM586044									
1	CM586048 CM586044	12								

**NOTE : please use Cat. No. when placing your order**

Pack	Cat. Nos.	<b>CM50 – universal mounting plates (small)</b>								
		$\updownarrow 54 \text{ mm}$ $\leftrightarrow 50 \text{ mm}$ For technical information, see p. 55 								
1	<table border="0"> <tr> <td> GS</td> <td> GC</td> </tr> <tr> <td>CM586060</td> <td>CM586063</td> </tr> <tr> <td> 304L</td> <td> 316L</td> </tr> <tr> <td>CM586068</td> <td>CM586064</td> </tr> </table>	GS	GC	CM586060	CM586063	304L	316L	CM586068	CM586064	
GS	GC									
CM586060	CM586063									
304L	316L									
CM586068	CM586064									
1	CM586068 CM586064									

Pack	Cat. Nos.	<b>CAT30 – cantilever arm fixing plates</b>								
		$\updownarrow 30 \rightarrow 54 \text{ mm}$ $\leftrightarrow 50 \text{ mm}$ For technical information, see p. 53 								
1	<table border="0"> <tr> <td> GS</td> <td> DC</td> </tr> <tr> <td>CM586050</td> <td>CM586057</td> </tr> <tr> <td> 304L</td> <td> 316L</td> </tr> <tr> <td>CM586058</td> <td>CM586054</td> </tr> </table>	GS	DC	CM586050	CM586057	304L	316L	CM586058	CM586054	daN 20
GS	DC									
CM586050	CM586057									
304L	316L									
CM586058	CM586054									
1	CM586058 CM586054	20								

Pack	Cat. Nos.	<b>CM50XL – universal mounting plates (large)</b>								
		$\updownarrow 54 \rightarrow 80 \text{ mm}$ $\leftrightarrow 50 \rightarrow 100 \text{ mm}$ (side wire mounting) $\updownarrow 30 \rightarrow 105 \text{ mm}$ $\leftrightarrow 100 \rightarrow 600 \text{ mm}$ (base wire mounting) For technical information, see p. 55 								
1	<table border="0"> <tr> <td> GS</td> <td> GC</td> </tr> <tr> <td>CM586130</td> <td>CM586133</td> </tr> <tr> <td> 304L</td> <td> 316L</td> </tr> <tr> <td>CM586138</td> <td>CM586134</td> </tr> </table>	GS	GC	CM586130	CM586133	304L	316L	CM586138	CM586134	
GS	GC									
CM586130	CM586133									
304L	316L									
CM586138	CM586134									
1	CM586138 CM586134									

Pack	Cat. Nos.	<b>CAT40 – channel fixing plates</b>								
		$\updownarrow 30 \rightarrow 54 \text{ mm}$ $\leftrightarrow 50 \text{ mm}$ For technical information, see p. 54 								
1	<table border="0"> <tr> <td> GS</td> <td> DC</td> </tr> <tr> <td>CM586190</td> <td>CM586197</td> </tr> <tr> <td> 304L</td> <td> 316L</td> </tr> <tr> <td>-</td> <td>CM586194</td> </tr> </table>	GS	DC	CM586190	CM586197	304L	316L	-	CM586194	daN 20
GS	DC									
CM586190	CM586197									
304L	316L									
-	CM586194									
1	- CM586194	20								

**Key :**

Pre-galvanised	Stainless steel 304L
Hot dip galvanised after manufacture	Stainless steel 316L
Geomet	

For detailed information related to finishes, refer to p. 116-117

All dimensions (mm) are nominal