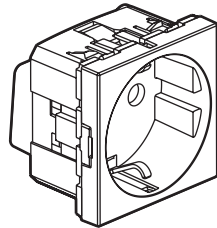
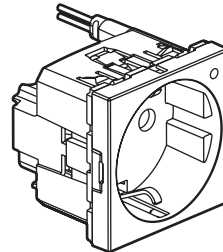


Mosaic™
Socket outlets - German standard

Cat. No(s): 0 772 11/12/13/14/16/17/18/19/20/45
0 787 02 - 0 792 13



0 787 02



0 772 12

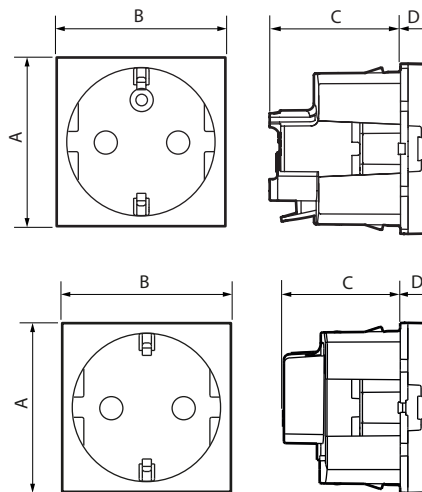
1. USE

Multi-support single socket outlets 16 A - 250 V~ with shutters.
 Flush or surface-mounting.

2. RANGE

	Description	References
	2 P+E socket White - 2 modules	0 772 11
	2 P+E socket with indicator White antimicrobial - 2 modules	0 772 12
	2 P+E socket Green antimicrobial - 2 modules	0 772 16
	2 P+E socket Orange antimicrobial - 2 modules	0 772 17
	2 P+E socket Red - 2 modules	0 772 18
	2 P+E socket Flap cover plate White antimicrobial - 2 modules	0 772 19
	2 P+E socket special 4 mm ² and tapping White - 2 modules	0 772 13
	2 P+E socket special 4 mm ² and tapping Aluminium - 2 modules	0 792 13
	2 P+E socket tamperproof Red - 2 modules	0 772 14
	2 P+E socket Red antimicrobial - 2 modules	0 772 20
	2 P+E socket White antimicrobial - 2 modules	0 787 02
	2 P+E socket, 45° inclined White - 2 modules	0 772 45

3. OVERALL DIMENSIONS (mm)



References	A	B	C	D
0 772 20 - 0 787 02	45	45	31	8.5
0 772 11/12/16/17/18/19/45	45	45	34.5	8.5
0 772 13 - 0 792 13	45	45	31	8.5
0 772 14	45	45	31.5	8.5

4. CONNECTION

• Cat. Nos 0 772 11/12/16/17/18/19/45:

Automatic terminals
 Terminal capacity: 2 x 2.5 mm²
 Stripping length: 12 mm

• Cat. Nos 0 772 13/14/20 - 0 787 02 - 0 792 13:

Screw terminals
 Terminal capacity: 2 x 4 mm²
 Stripping length: 10 mm
 Screwdriver: flat 4 mm - PZ2

5. TECHNICAL CHARACTERISTICS

■ 5.1 Mechanical characteristics

- Impact resistance: IK 04
- Penetration against solid bodies and liquids: IP 20

■ 5.2 Material characteristics

- Base: Polycarbonate
- Cover plate: Polycarbonate (RAL 9003) + antimicrobial surface treatment for antimicrobial sockets.
- Halogen-free
- UV resistant
- Self-extinguishing:
 - + 850°C/30 s for insulating parts holding live parts in place
 - + 650°C/30 s for the other insulating part

Antimicrobial socket outlets:

Products are made of silver-ion based, antimicrobial material.

	Reduction factor
Aspergillus niger	Log 0
Bacillus cereus	Log 0.05
Bacillus subtilis	Log 0.09
Candida albicans	Log 0.86
Enterovirus Polio 1	Log 1
Escherichia Coli	Log 6.3
Myobacterium Avium	Log 0.04
Myobacterium Terrae	Log 1.21
Pseudomonas aeruginosa	Log 4.4
Staphylococcus aureus	Log 2.67

(NB: log 4 = 99.99% ; log 3 = 99.9% ; log 2 = 99% ; log 1 = 90%)
 Tests carried out in accordance with standards JIS Z 2801: 2000
 and JIS Z 2801: 2006

Test report available on request.

■ 5.3 Electrical characteristics

Voltage: 250 V~
 Current: 16 A

■ 5.4 Climatic characteristics

Storage temperature: - 10°C to + 70°C
 Operating temperature: - 5°C to + 50°C

6. CLEANING

Clean the surface with a cloth.

Do not use acetone, tar-removing cleaning agents or trichloroethylene.

■ 6.1 Resistance to cleaning products

Resistant to the following products: hexane (NF C 61-314), methylated spirit, soapy water, diluted ammonia, bleach diluted to 10%, window-cleaning products, pre-impregnated wipes.

■ 6.2 Resistance to hospital grade cleaning products

Resistant to the following products: Anios, Surfanios, Bactily sine, diluted hydrogen peroxide (35%).

Caution: Always test before using other special cleaning products.

7. ACCESSORIES

0 676 64	Bulb for socket (0 772 12) with indicator White wired bulbs (wire length = 100 mm) (230 V - 2.4 mA)
0 502 99	Temperproof

8. STANDARDS AND APPROVALS

Comply with installation and manufacturing standards.
 See e-catalogue.