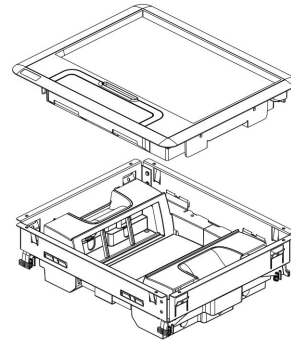
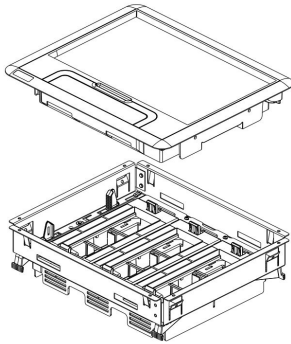


Floor Boxes - Screed floor Standard Range

Cat. No(s) : 0 880 00 to 17 - 0 880 20 to 25 - 0 880 30 to 32 - 0 880 36 to 55/57 - 0 880 80 to 83/85/86/88 - 0 880 90 to 92/95/98/99 - 0 88190 to 92



1. USE

Standard version floor boxes to install in a screed floor of any kind of tertiary buildings (offices, public building, hospitals, schools/universities, shops, showrooms, hotels...). To be equipped with power, data, USB sockets.
 The height of the floor box can be adapted to match the screed floor height. Possibility to choose between different finishing's.
 We advise to use 2p+E sockets, 45° inclined version with upward earth pin.

We advise you to use gloves when handling the products.

MOUNTING PRINCIPLE












Floor Boxes - Screed floor Standard Range

Cat. No(s) : 0 880 00 to 17 - 0 880 20 to 25 - 0 880 30 to 32 - 0 880 36 to 55/57 - 0 880 80 to 83/85/86/88 - 0 880 90 to 92/95/98/99 - 0 88190 to 92

2. SELECTION TABLE

2.1 General chart

SOCKET MOUNTING POSITION	CAPACITY	FLOOR BOX SUPPORT KITS	BACKBOXES			LIDS & TRIMS FLOORING THICKNESS ≤ 8 MM		FINISHING PLATES (OPTIONAL)	
			FLAT-FOLD BACKBOX FOR SCREED HEIGHT MAX. 110 MM  0 881 92	AUTO-ADJUSTING BACKBOX FOR SCREED HEIGHT 65 TO 90 MM  0 880 91	UNIVERSAL ADJUSTABLE BACKBOX FOR SCREED HEIGHT 55 TO 150 MM  0 880 80	Plastic lid and trim 0 880 02	Stainless steel lid and trim 0 880 05	 0 880 47	
 Adjustable horizontal Hmin: 80 mm	12 (3 x 4) modules	0 880 20	0 881 90 screed height ≥ 100 mm	0 880 90 ⁽¹⁾ screed height ≥ 80 mm (1)	0 880 80 + 0 880 81 screed height ≥ 100 mm	Plastic	0 880 00	Stainless steel	0 880 15
	18 (3 x 6) modules	0 880 21	0 881 91 screed height ≥ 100 mm	0 880 91 ⁽¹⁾ screed height ≥ 80 mm (1)	0 880 80 + 0 880 82 screed height ≥ 100 mm	Plastic	0 880 01	Stainless steel	0 880 16
						Stainless steel	0 880 03	Stainless steel	0 880 45
24 (3 x 8) modules	0 880 22	0 881 92 screed height ≥ 100 mm	0 880 92 ⁽¹⁾ screed height ≥ 80 mm (1)	0 880 80 + 0 880 83 screed height ≥ 100 mm	Plastic	0 880 02	Stainless steel	0 880 17	
 Horizontal frames to be equipped with baskets Hmini : 80 mm for empty baskets Hmini : 102 mm for fast connecting system Wieland®	12 (3 x 4) modules	0 880 36	0 881 90 screed height ≥ 100 mm	0 880 90 ⁽¹⁾ screed height ≥ 80 mm (1)	0 880 80 + 0 880 81 screed height ≥ 100 mm	Plastic	0 880 00	Stainless steel	0 880 15
	18 (3 x 6) modules	0 800 37	0 881 91 screed height ≥ 100 mm	0 880 91 ⁽¹⁾ screed height ≥ 80 mm (1)	0 880 80 + 0 880 82 screed height ≥ 100 mm	Stainless steel	0 880 03	Stainless steel	0 880 45
						Brass	0 880 06	Brass	0 880 48
24 (3 x 8) modules	0 800 38	0 881 92 screed height ≥ 100 mm	0 880 92 ⁽¹⁾ screed height ≥ 80 mm (1)	0 880 80 + 0 880 83 screed height ≥ 100 mm	Plastic	0 880 02	Stainless steel	0 880 17	
 Fixed Horizontal Hmini : 96 mm	12 (3 x 4) modules	0 880 30	0 881 90	-	0 880 80 + 0 880 81	Plastic	0 880 00	Stainless steel	0 880 15
	18 (3 x 6) modules	0 880 31	0 881 91	-	0 880 80 + 0 880 82	Stainless steel	0 880 03	Stainless steel	0 880 45
						Brass	0 880 06	Brass	0 880 48
24 (3 x 8) modules	0 800 32	0 881 92	-	0 880 80 + 0 880 83	Plastic	0 880 01	Stainless steel	0 880 16	
 Vertical Hmini: 68 mm	8 (2 x 4) modules	0 880 23	0 881 90	OR 0 880 90	OR 0 880 80 + 0 880 81	Plastic	0 880 00	Stainless steel	0 880 15
	12 (2 x 6) modules	0 880 24	0 881 91	OR 0 880 91	OR 0 880 80 + 0 880 82	Stainless steel	0 880 03	Stainless steel	0 880 45
						Brass	0 880 06	Brass	0 880 48
16 (2 x 8) modules	0 880 25	0 881 92	OR 0 880 92	OR 0 880 80 + 0 880 83	Plastic	0 880 01	Stainless steel	0 880 16	
 Access covers Hmini : 65 mm	For lid and trim with 8/12 modules	0 880 39	0 881 90	OR 0 880 90	OR 0 880 80 + 0 880 81	Plastic	0 880 00	Stainless steel	0 880 15
	For lid and trim with 12/18 modules	0 880 40	0 881 91	OR 0 880 91	OR 0 880 80 + 0 880 82	Stainless steel	0 880 03	Stainless steel	0 880 45
						Brass	0 880 06	Brass	0 880 48
For lid and trim with 16/24 modules	0 880 41	0 881 92	OR 0 880 92	OR 0 880 80 + 0 880 83	Plastic	0 880 01	Stainless steel	0 880 16	
						Stainless steel	0 880 04	Stainless steel	0 880 46
						Brass	0 880 07	Brass	0 880 49
						Plastic	0 880 02	Stainless steel	0 880 17
						Stainless steel	0 880 05	Stainless steel	0 880 47
						Brass	0 880 08	Brass	0 880 50

(1) Not possible to use straight plugs

2. TABLEAU DE CHOIX (suite)

■ 2.2 Chart Floor boxes supplied in kits

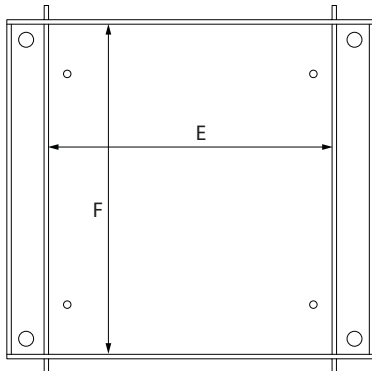
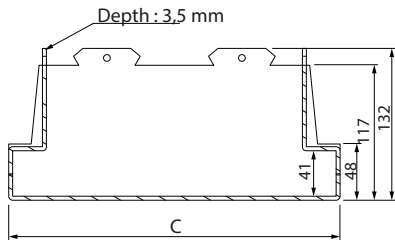
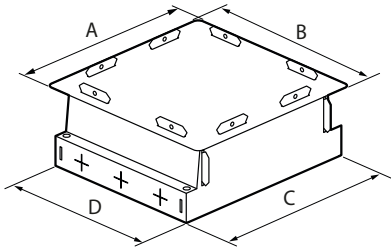
Floor boxes supplied in kits	Description	composed of references	
 <p>0 880 09</p>	<p>Kit plastic standard lid & trim + Horizontal frames 12 modules</p>	0 880 00	0 880 20
 <p>0 880 10</p>	<p>Kit plastic standard lid & trim + Horizontal frames 18 modules</p>	0 880 01	0 880 21
 <p>0 880 11</p>	<p>Kit plastic standard lid & trim + Horizontal frames 24 modules</p>	0 880 02	0 88022
 <p>0 880 12</p>	<p>Kit plastic standard lid & trim + Vertical frames 12 modules</p>	0 880 00	0 880 23
 <p>0 880 13</p>	<p>Kit plastic standard lid & trim + Vertical frames 18 modules</p>	0 880 01	0 880 24
 <p>0 880 14</p>	<p>Kit plastic standard lid & trim + Vertical frames 24 modules</p>	0 880 02	0 880 25

3. DIMENSIONS

3.1 Backboxes

3.1.1 Flat-fold backboxes to assembled before installation

This under-floor backbox for concrete floor allows pouring the concrete over flexible conduits before installing floor boxes Standard version only.



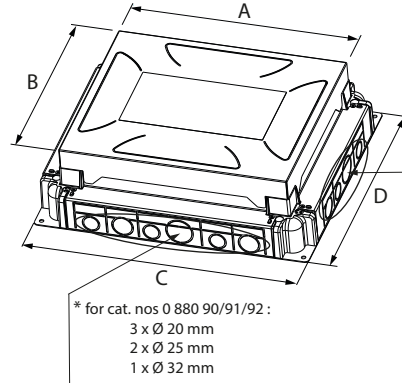
Flat-fold backboxes cat. nos	A	B	C	D	E	F
0 881 90	237	312	257	272	190	265
0 881 91	275		295		228	
0 881 92	320		340		273	

2 installation modes :

- into existing screed : renovation
- on concrete slab (before screed pouring)

3. DIMENSIONS (cont.)

3.1.2 Auto-adjusting backboxes

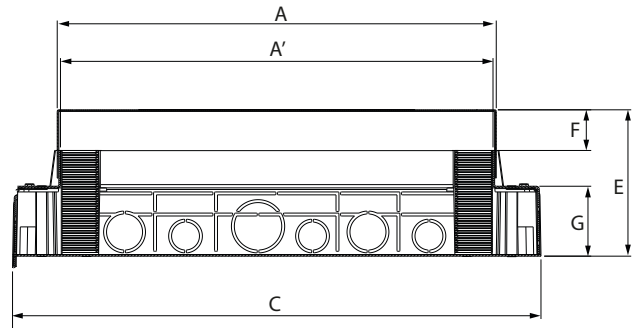


* for cat. nos 0 880 90/91 :
2 x Ø 20 mm
1 x Ø 25 mm
1 x Ø 32 mm

* for cat. nos 0 880 92 :
3 x Ø 20 mm
2 x Ø 25 mm
1 x Ø 32 mm

* for cat. nos 0 880 90/91/92 :
3 x Ø 20 mm
2 x Ø 25 mm
1 x Ø 32 mm

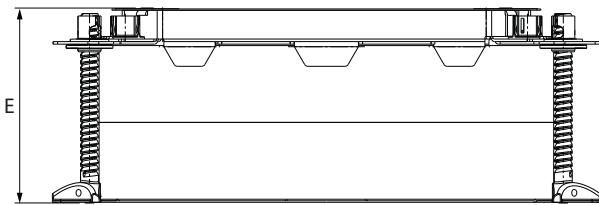
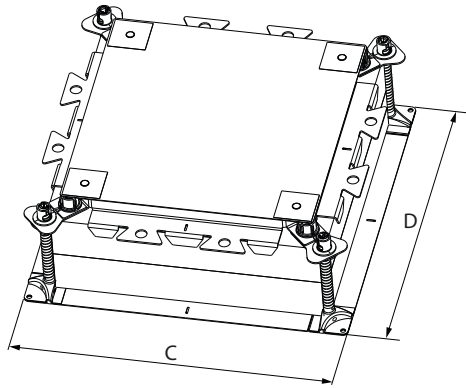
Auto-adjusting backboxes Cat. nos	A	B	C	D
0 880 90	270	187	325	242
0 880 91		225		280
0 880 92		270		325



Auto-adjusting backboxes Cat. nos	A	A'	C	E	F	G
0 880 90	270	266	325	90	25	43
0 880 91						
0 880 92						

3. DIMENSIONS (cont.)

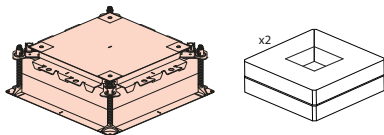
3.1.3 Universal adjustable backbox



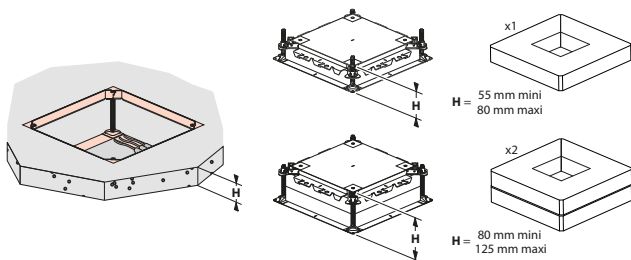
Universal adjustable backboxes Cat. nos	C	D	E
0 880 80*	428	428	152

* delivered with 2 foam blocks inside

0 880 80 =

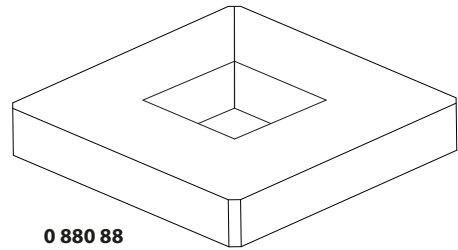


Number of foam blocks necessary when screed height is inferior to 125 mm

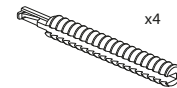


3. DIMENSIONS (cont.)

3.1.3.1 Extra Foam blocks and screws for universal adjustable backbox necessary when screed height is superior to 125 mm

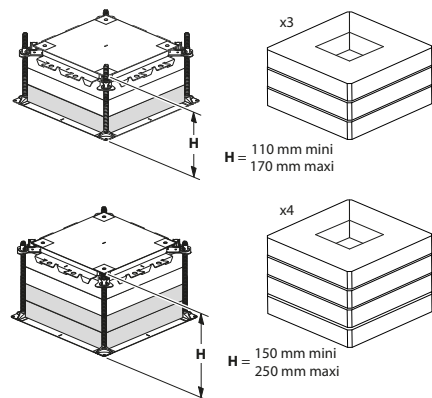
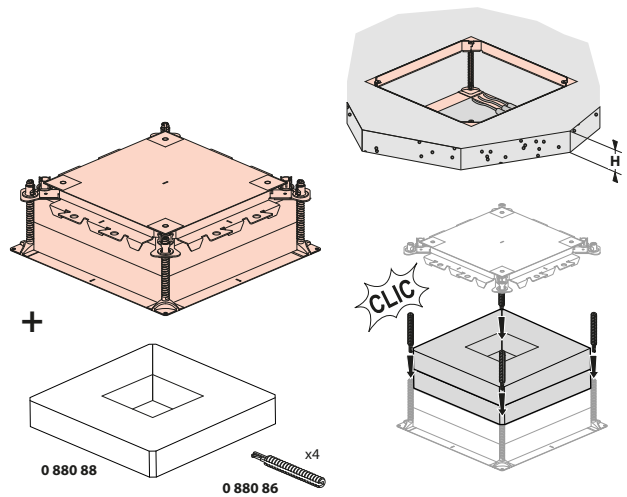


0 880 88



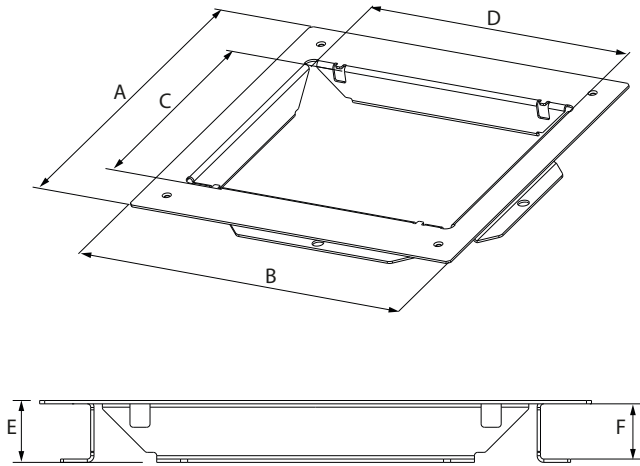
0 880 86

Adapt the foam block number to the expected screed thickness



3. DIMENSIONS (cont.)

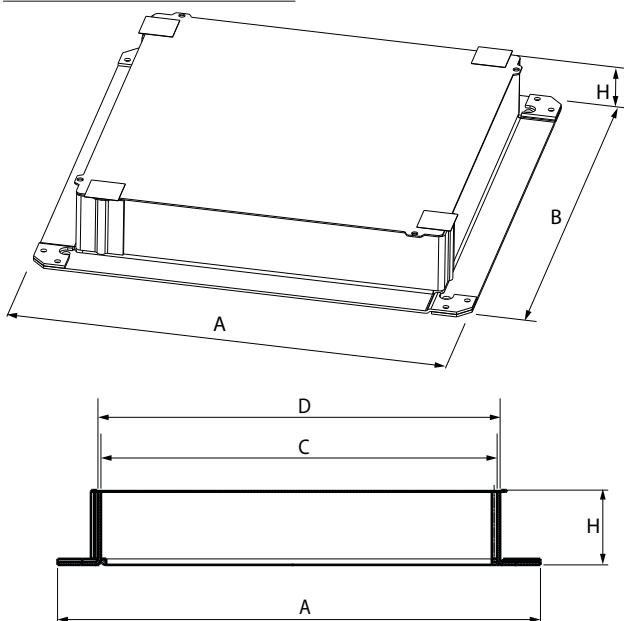
3.1.3.2 Adaptation plates for universal backboxes



Adaptation plates Cat. nos	A	B	C	D	E	F
0 880 81	330	330	182	265	37	33
0 880 82			219			
0 880 83			265			

3.1.3.3 Finishing kit for waxed concrete or polished concrete for universal backboxes

fit only on **standard square** floor box 286x286 mm and **don't allow the use of floor boxes flush version**

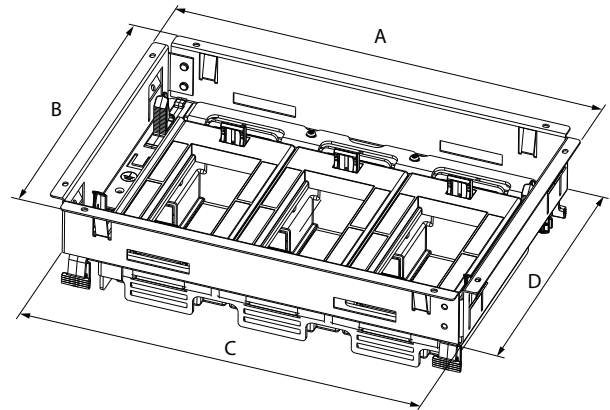


Finishing kit for waxed concrete Cat. nos	A	B	C	D	H
0 880 85	323	323	265	269	50

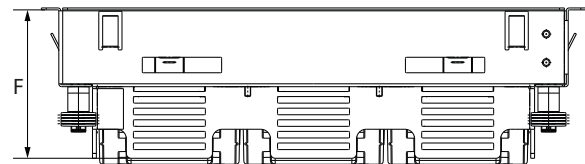
3. DIMENSIONS (cont.)

3.2 Support Kits

3.2.1 Adjustable horizontal mounting floor boxes Support Kits with empty baskets and horizontal frames to be equipped with baskets



Adjustable horizontal Support kits with empty baskets Cat. nos	Horizontal frames to be equipped with baskets Cat. nos*	Number of modules	A	B	C	D
0 880 20	0 880 36	3x4M	281.3	198.3	263.3	180.3
0 880 21	0 880 37	3x6M		236.3		218.3
0 880 22	0 880 38	3x8M		281.3		263.3

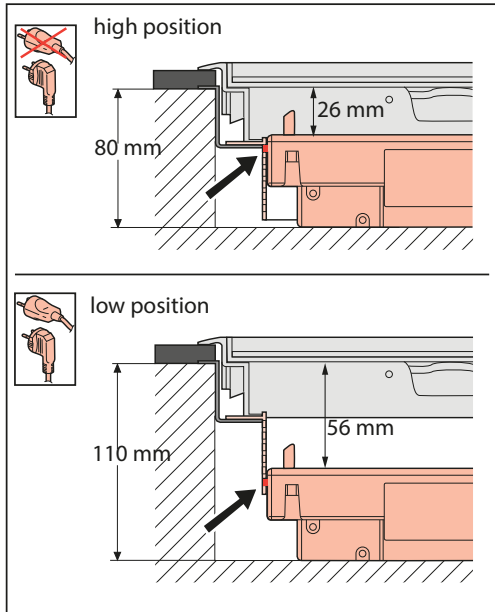


Adjustable horizontal Support kits with empty baskets	Horizontal frames to be equipped with baskets*	F
0 880 20	0 880 36	76.7
0 880 21	0 880 37	
0 880 22	0 880 38	

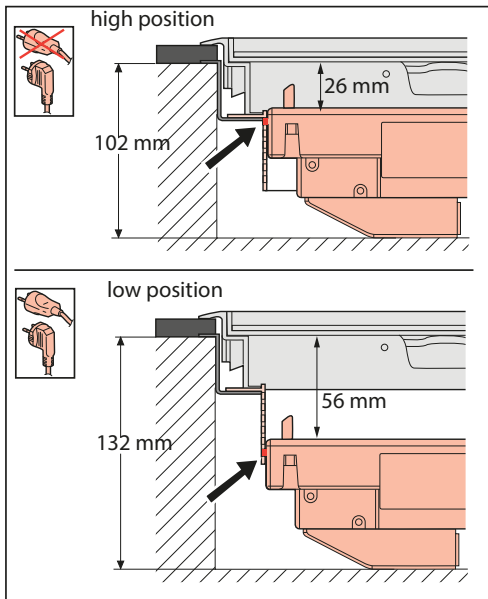
Kind of baskets*		4M	6M	8M
empty		0 880 42	0 880 43	0 880 44
equipped with 2P+E Wieland® german standard		0 880 51	0 880 53	0 880 55
equipped with 2 P+E tamper- proof Wieland® german standard		0 880 52	0 880 54	0 880 57

3. DIMENSIONS (cont.)

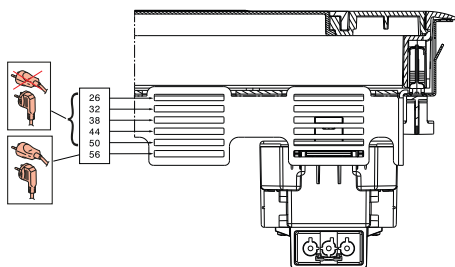
3.2.1.1 Empty basket



3.2.1.2 Fast connecting system Wieland®

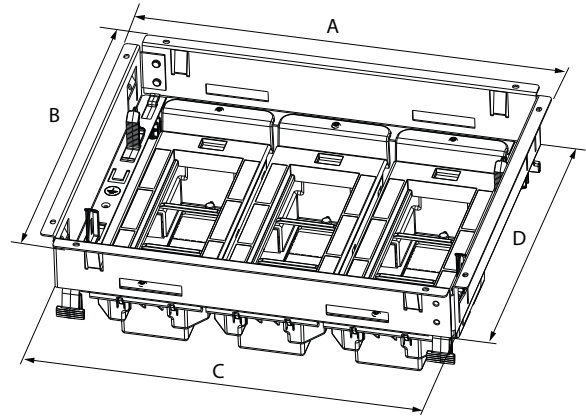


Dimensions (mm) of the different positions of the module

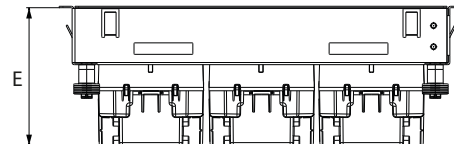


3. DIMENSIONS (cont.)

3.2.2 Fixed Horizontal mounting floor boxes Supports Kits



Fixed horizontal Support Kits Cat. nos	Number of modules	A	B	C	D
0 880 30	3x4M	281.3	198.3	263.3	180.3
0 880 31	3x6M		236.3		218.3
0 880 32	3x8M		281.3	263.3	



Fixed horizontal Support Kits Cat. nos	E
0 880 30	96
0 800 31	
0 800 32	

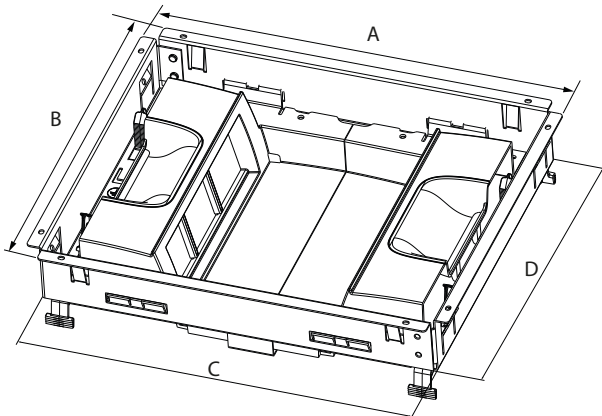
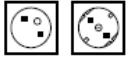
For minimum heights of raised floor, see chart 4.1 Floor cutting

3. DIMENSIONS (cont.)

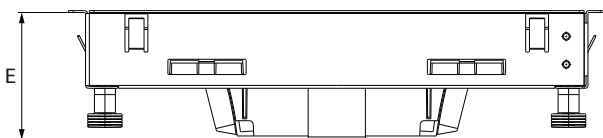
3.2.3 Fixed Vertical mounting floor boxes Supports Kits with empty baskets

3.2.3.1 Supports Kits

In order to connect all types of user plugs (straight and angle) and to be able to close correctly the lid, we advise to use 2 P+E sockets, 45° inclined version with upward earth pin, as below :



Fixed vertical Support Kits with empty baskets Cat. nos	Number of modules	A	B	C	D
0 880 23	2x4M	281.3	198.3	263.3	180.3
0 880 24	2x6M		236.3		218.3
0 880 25	2x8M		281.3		263.3

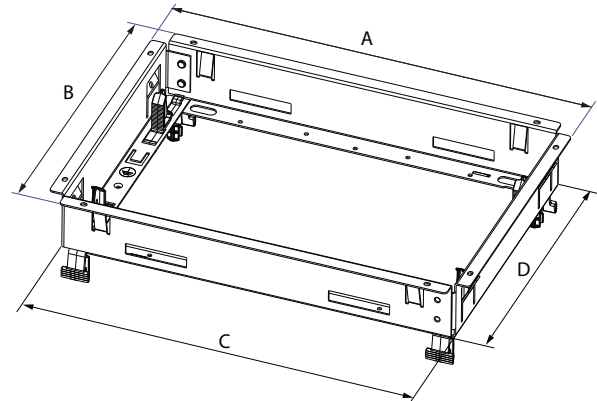


Empty Fixed vertical Support Kits Cat. nos	E
0 880 23	66.7
0 880 24	
0 880 25	

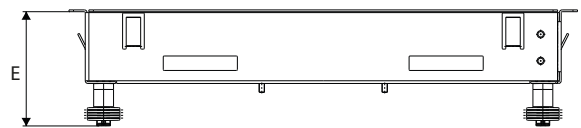
3. DIMENSIONS (cont.)

3.2.4 Access trap boxes

3.2.4.1 External dimensions

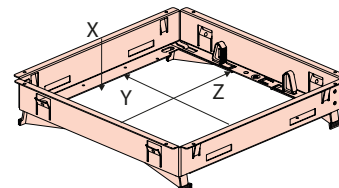
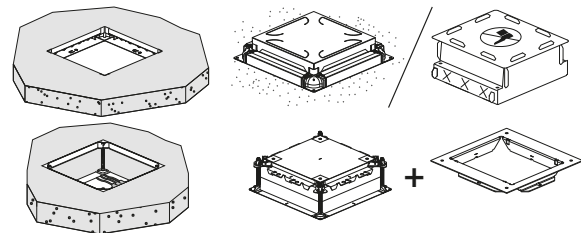


Access trap Cat. nos	A	B	C	D
0 880 39	281.3	198.3	263.3	180.3
0 880 40		236.3		218.3
0 880 41		281.3		263.3



Access trap Cat. nos	E
0 880 39	63.2
0 880 40	
0 880 41	

3.2.4.2 Internal dimensions



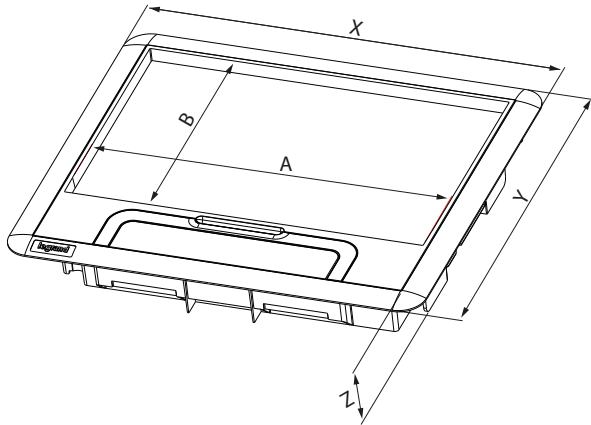
Cat. nos	X	Y	Z
0 880 39	39,7	147,9	229,6
0 880 40		185,9	
0 880 41		230,9	

3. DIMENSIONS (cont.)

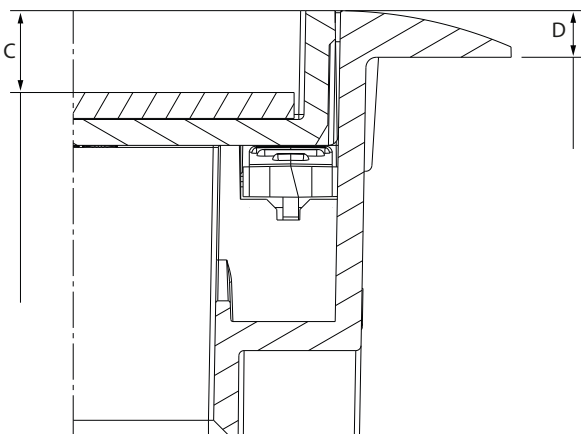
3.3 Lids & Trims

3.3.1 Plastic Lids & Trims

1 version	8/12M	12/18M	16/24M
Plastic standard	0 880 00	0 880 01	0 880 02



Cat. nos	X	Y	Z	A	B
0 880 00	286	203	41	244.5	116.5
0 880 01		241			154.8
0 880 02		286			199.8

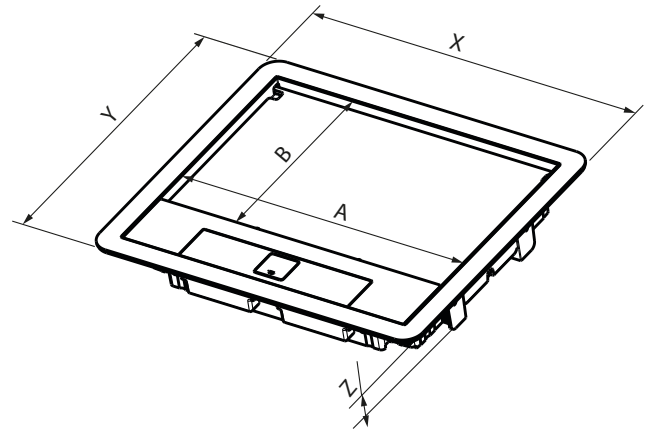


Cat. nos	C	D
0 880 00	8	4.5
0 880 01		
0 880 02		

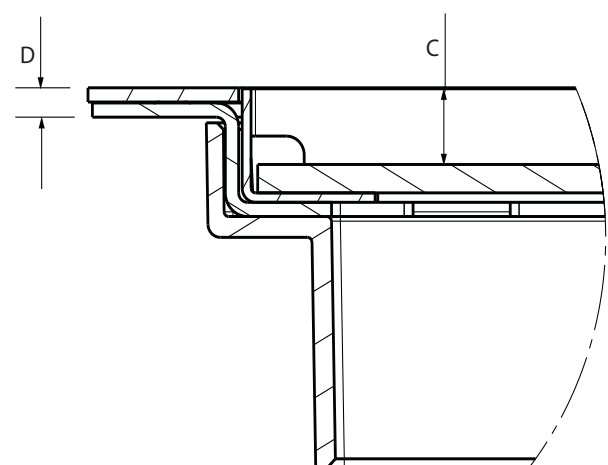
3. DIMENSIONS (cont.)

3.3.2 Metal Lids & Trims

2 finishes	8/12M	12/18M	16/24M
Metal stainless	0 880 03	0 880 04	0 880 05
Metal brass	0 880 06	0 880 07	0 880 08



Cat. nos		X	Y	Z	A	B
0 880 03	0 880 06	286	203	41	249.2	117.2
0 880 04	0 880 07		241			155.2
0 880 05	0 880 08		286			199.9



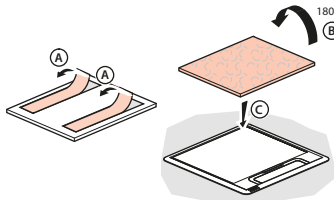
Cat. nos		C	D
0 880 03	0 880 06	8	3.1
0 880 04	0 880 07		
0 880 05	0 880 08		

3. DIMENSIONS (cont.)

3.4 Finishing plates

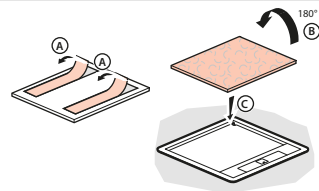
3.4.1 Finishing plates for plastic lid & trims

1 finish	8/12M	12/18M	16/24M
stainless steel	0 800 15	0 800 16	0 800 17

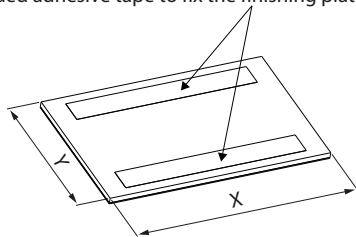


3.4.2 Finishing plates for metal lid & trims

2 versions	8/12M	12/18M	16/24M
stainless steel	0 880 45	0 880 46	0 880 47
brass	0 880 48	0 880 49	0 880 50





Double sided adhesive tape to fix the finishing plate on the lid & trim



Cat. nos	X	Y
0 880 15	244	116
0 880 16		154
0 880 17		199
0 800 45/0 800 48	248	116
0 800 46/0 800 49		154
0 800 47/0 800 50		199

Remove protection adhesive tape from finishing lids and plates **ONLY WHEN THE BUILDING IS READY TO RECEIVE ITS OCCUPANTS** (= heated and normal hygrometry rate 45-65 %).

3.5 Locking system cat. nos 0 80098/99

		
	with key	without key
Plastic boxes *	0 880 98	0 880 99
Metal boxes	on demand	

* to be done by installer or electrician

4. INSTALLATION

4.1 Mini floor screed height according to the type of floor box support kits

Socket mounting position	Mini (mm) height floor screed	8/12M	12/18M	18/24M
Horizontal adjustable	80* or 102**	0 880 20	0 880 21	0 880 22
Horizontal fixed	96	0 880 30	0 880 31	0 880 32
Vertical fixed	68	0 880 23	0 880 24	0 880 25
Access trap	64	0 880 39	0 880 40	0 880 41

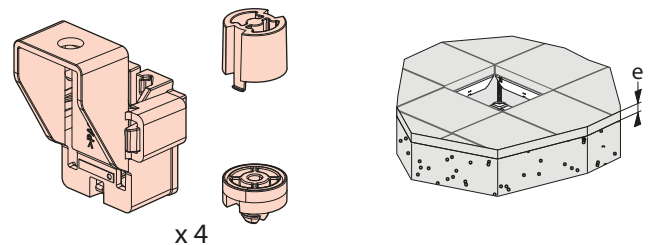
* with basket without Wieland® connector

** with basket with Wieland® connector

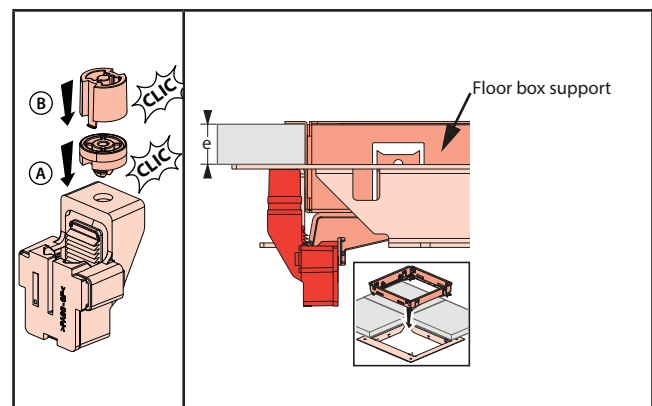
4.2 Option : additional fixation kit cat no 0 880 95

Allow floor clamping when it is necessary for example, for one floor box installed after tile laying on the adaptation plate of the universal back box. In that case, the frame support cannot be clipped.

Preparation of the 4 fixations :



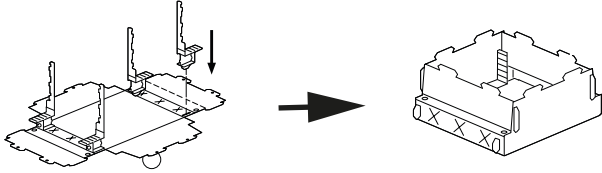
If Tile depth e is 11 mm < e < 17 mm



4. INSTALLATION (cont.)

■ 4.3 Installation principle of flat-fold backbox cat. nos 0 88190/91/92

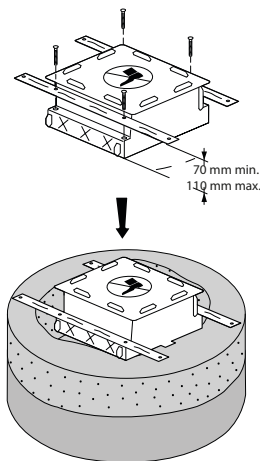
4.3.1 Backbox assembling



Clips the 4 rigid plastic parts into the dedicated locations then fold and assemble the back box

4.3.2 Installation into existing screed (renovation)

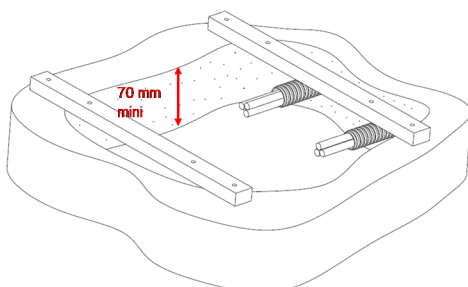
In an existing screed in which one wishes to install a floor box (or to replace an old one), this mode of installation is ideal because it allows a reliable leveling, independent of the depth of the hole realized.



After having broken the concrete in the desired area, the back box can be installed from above (resting on the existing screed by means of 2 sleepers, not provided).

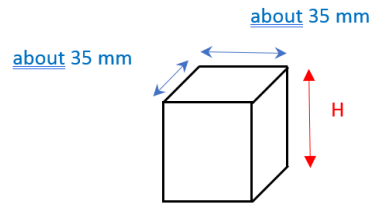
Detailed description of this installation mode :

a) The hole must be of sufficient size to be able to receive the back box. Its depth must be at all points at least 70mm. Prepare 2 cleats (not supplied, preferably wood) of much greater length than the hole (these cleats will serve to suspend the back box from the above and will not have to bend during the operation).



4. INSTALLATION (cont.)

b) Prepare 4 cubes (not provided, preferably of wood) which will be used to fix the cleats and the back box. The dimensions of these cubes are as follow:

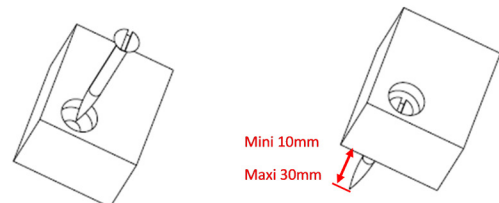


The height H of the cube depends on the depth to which the back box will be installed. Determine it according to the following table :

Depth of the hole	Height "H" of the cubes
MINI 70 mm	25 mm
80 mm	35 mm
90 mm	45 mm
100 mm	55 mm
110 mm	65 mm MAXI
> 110 mm	

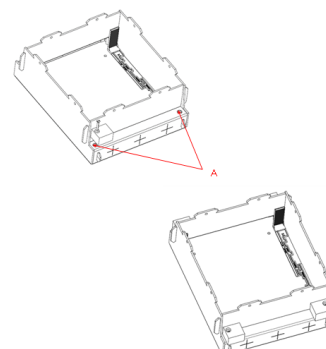
c) Preparation of the cubes:

- Drill each cube in one of its angles with a diameter of 5mm. Then, in order to pass thereafter the future fixing screws of the cubes to the back box (4 M5 screws not supplied):
- Drill again in the same place with a larger diameter (enough to pass the head of your M5 screw) and to a sufficient depth (**be careful, not on the entire height H of the cube!**) so that the head of your screw can be in support and that its threaded shaft exceeds the cube of a minimum length of 10mm and maximum of 30mm.



d) Insert your 4 fixing screws into your 4 cubes

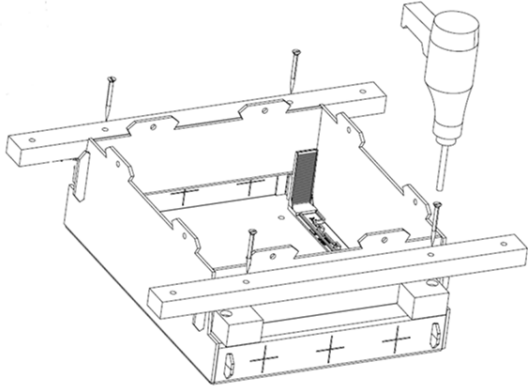
e) Fix these 4 cubes to the 4 outside corners of the back box by screwing their M5 fixing screws into the slots (A) provided for this purpose



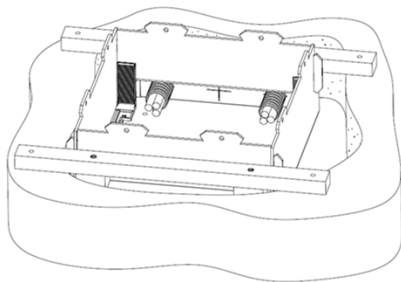
Cubes screwed to the 4 corners of the box

4. INSTALLATION (cont.)

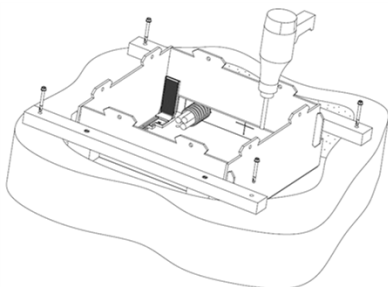
f) Using 4 screws not supplied, fix the 2 cleats to the cubes so that once fixed they could correctly be placed on the existing concrete screed



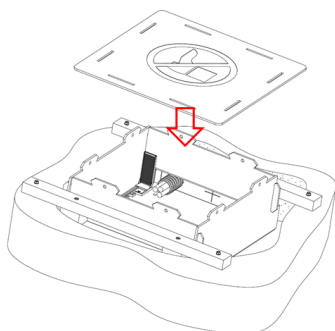
g) Pass the ducts and cables in the entries of the back box provided for this purpose and position it in the hole in support on the cleats



h) Using 4 concrete screws (not supplied), attach the cleats to your existing floor (so that the back box is locked in the desired location)

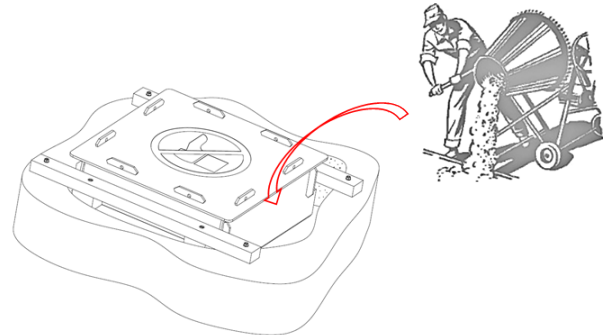


i) Position the cover on the back box



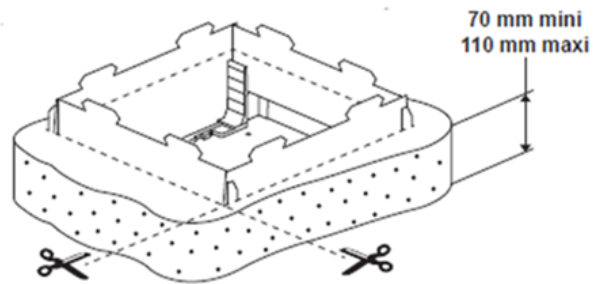
4. INSTALLATION (cont.)

j) Pour some concrete into the hole all around the back box

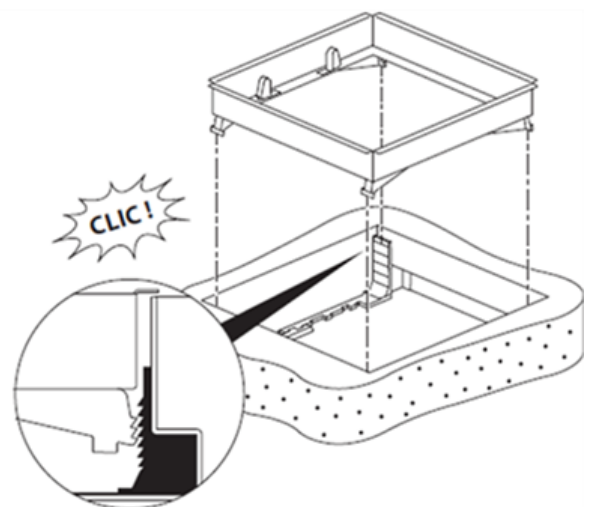


k) Once the concrete is dry, remove the cleats (but not the cubes). If necessary make a patch to fill any holes around the cubes

l) Cut off the part that exceeds once concrete is dry



m) **Do not take off the 4 rigid plastic parts** in the corners of the back box because they are useful to clip the Standard version floor box

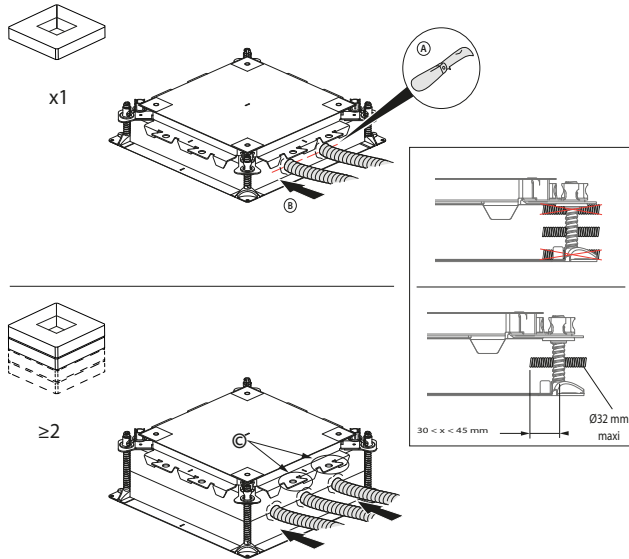


4. INSTALLATION (cont.)

4.4 Bridles for Universal Backbox

Caution !

The conduits **must NEVER be placed** between the foam and a metallic part (on top or bottom) as this would degrade the backboxes' impermeability when pouring concrete..



Attach the conduits to the bridles © in order to avoid their translation during the concrete pouring.

5. GENERAL CHARACTERISTICS

5.1 Mechanical characteristics

Protection to :

IP30 with the cover closed
IP20 with the cover opened
IP24 of sockets outlets with the cover closed

Resistance to impacts : IK08 with the cover closed

Self-extinguishing : + 650°C/30s for parts made of insulating materials according to EN60095-2-11
The inlets of conduits or cables are pre-cutting for an easier installation.

Classification floor boxes according to the IEC 60670-1 et IEC 60670-23 standard :

7.1 The nature of their material	Composite
7.2 The method of installation	Flush, semi-flush or embedded in non-combustible floors
	Placement suitable for installation into concrete during the casting process
	Floor boxes or enclosures installed in floor subjected to dry treatment
7.3 The type of inlets (outlets)	Without inlets. Inlet openings will be made during installation
7.4 The clamping means	With clamping means
7.5 The minimum and maximum temperatures during installation	-5°C to +60°C
7.6 The maximum temperature during the casting process	+60°C
13 Protection against ingress of solid objects & against harmful ingress of water	IP30 cover closed / IP20 cover opened
15.101 Resistance to vertical load through a small surface	500 N

Maximum vertical load resistance

Standard range Floor boxes	References of the lid & trim	small surface (1 cm ²)	large surface (Ø 130 mm)
Plastic	0 880 00 to 0 880 02	1 500 N	3 000 N
Metal	0 880 03 to 0 880 08	1 500 N	5 000 N

Safety : Check that the system is earthed

5. GENERAL CHARACTERISTICS *(cont.)*

■ 5.2 Material characteristics

Floor boxes Material list

- . Plastic materials : ABS
- . Plastic materials : TPEE
- . Plastic materials : PP 6.6 glass fibers
- . Galvanized steel (Z140)
- . Stainless steel
- . Galvanized steel (Z275)
- . Brass

Back boxes Material list

- . Galvanized steel (Z140)
- . Plastic materials : ABS

6. CARE

Superficial cleaning with a cloth. Do not use abrasive products or detergents.

Caution: Always test before using other special cleaning products.

Brass Raw Brushed : material which evolves with time, it gets veiled and takes a patina. However, a regular cleaning can restore its initial appearance.

Use a special copper cleaner with an antioxidant formula such as "Mirror copper cleaner" or equivalent. Scrub with a soft brush in the direction of the finish brushing.

7. STANDARDS & APPROVALS

Compliant with installation and manufacturing standards.
See e. catalogue.