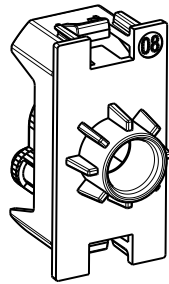
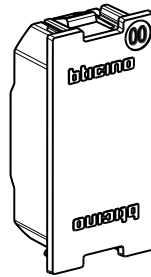


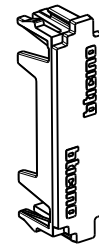
Blanking modules and outputs



..4953



..4950



..4949

Use

Blanking modules and outputs

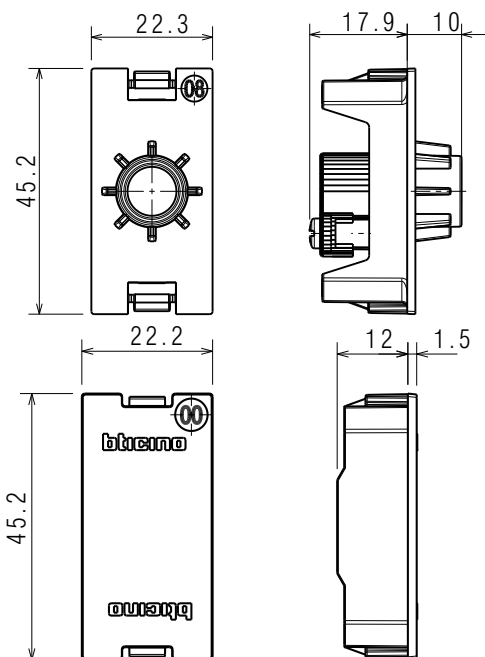
Range

Designation	Item	Related cover
Blank plate	K4950-K4949	<input type="checkbox"/> KW00 <input type="checkbox"/> KM00 <input type="checkbox"/> KG00
Simple output \varnothing 9.5 mm	K4953	<input type="checkbox"/> KW08 <input type="checkbox"/> KM08 <input type="checkbox"/> KG08

Color code:

White colour Sand colour Black colour

Overall dimensions (mm)



Connection

Authorized cable: maximum cable 12.5 mm.

Technical characteristics

- Protection index

(considering a complete installation, including cover plate)

Penetration by solid bodies/liquid: IP40 for K4950/4949

Penetration by solid bodies/liquid: IP20 for K4953

- Impact test: IK 04

- Material characteristics

Material: ABS

Halogen-free

UV resistant

Self-extinguishing:

650°C/30 s

- Climatic characteristics

Storage temperature: -10°C to +70°C

Use temperature: -5°C to +35°C

Cleaning

Clean the surface with a cloth.

Do not use acetone, tar-removing cleaning agents or trichloroethylene.

Caution: Always test before using special cleaning products.

Standards and approvals

Compliance with standards: IEC/EN 60669-1

Refer to e.catalogue.

