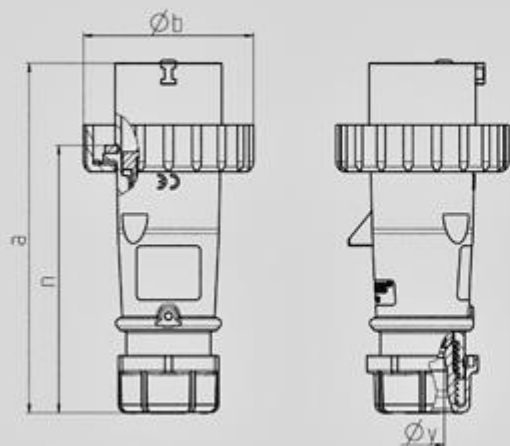


Plug AM-TOP® - Part no. 295



Protection type	IP 67
Ampere	32 A
Poles	4 p
Voltage	500 V
Hertz	50-60 Hz
Earth position	7 h
Contact	standard
Connection technology	Screw terminals

Plug AM-TOP® - Part no. 295



Drawing	Amp.	16			32		
		Poles			3	4	5
2 MB 218							
Dim. in mm	a	142	144	147	186	186	180
	b	70	78	87	94	94	101
	n	109	111	114	145	145	138
	y	14,5	16	16	22	22	22
Terminal for cond. cross		1	1	1	2,5	2,5	2,5
section (mm ²) min.-max.		-2,5	-2,5	-2,5	-6	-6	-6