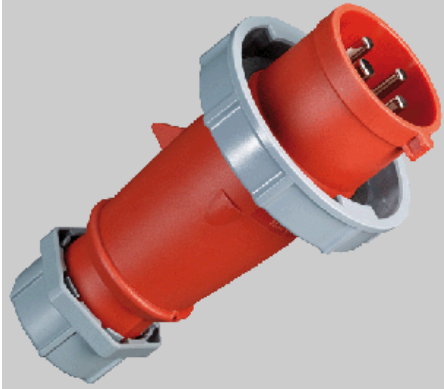
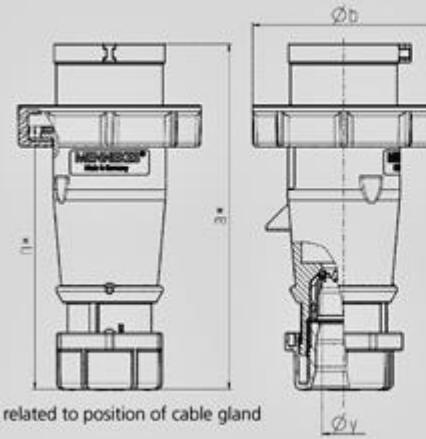


Plug AM-TOP® - Part no. 2175B



Protection type	IP 67
Ampere	32 A
Poles	4 p
Voltage	380-440 V
Hertz	50-60 Hz
Earth position	3 h
Contact	nickel plated contacts, highly heat resistant contact carrier
Connection technology	Screw terminals



Drawing	Amp.	32
2 MB 218-2	Poles	4
Dim. in mm	a*max	178
	b	94
	n*max	135
	y	22
Terminal for cond. cross		2,5
section (mm <sup>2</sup> ) min.-max.		—6