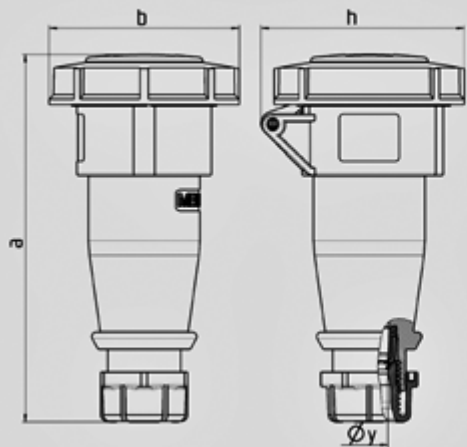


Connector AM-TOP® - Part no. 557



Protection type	IP 67
Ampere	32 A
Poles	4 p
Voltage	500 V
Hertz	50-60 Hz
Earth position	7 h
Contact	standard
Connection technology	Screw terminals

Connector AM-TOP® - Part no. 557



Drawing	Amp. Poles	16			32		
		3	4	5	3	4	5
3 MB 62	Dim. in mm						
	a	146	166	172	212	212	213
	b	72	79	89	96	96	102
	h	80	88	95	98	98	105
	y	14,5	16	16	22	22	22
	Terminal for cond. cross	1	1	1	2,5	2,5	2,5
	section (mm ²) min.-max.	-2,5	-2,5	-2,5	-6	-6	-6