



Color:  Black

UPC Code: 0784777796

Country Of Origin: Mexico

NEMA:
L6-15R



4550

Brand Features

Leviton's Industrial Grade Locking Devices are built to provide unparalleled quality and superior performance in the most severe industrial settings. Leviton combines the best materials available with superior production standards to produce a broad selection of Locking Devices of unmatched flexibility and dependability.

Item Description

15 Amp, 250 Volt, NEMA L6-15R, 2P, 3W, Duplex Locking Receptacle, Industrial Grade, Grounding - BLACK

Technical Information

AC Horsepower Ratings

At Rated Voltage: 1-1/2 HP

Electrical Specifications

Grounding: Grounding

Amperage: 15 A

Voltage: 250 VAC

Pole: 2

Wire: 3

Dielectric Voltage: Withstands 2000V per UL498

Current Limiting: Full Rated Current

Temperature Rise: Max 30C after 250 cycles OL at 200 percent rated current

Material Specifications

Face Material: Nylon

Body Material: Nylon

Line Contacts: Brass .031 Thick

Terminal Screws: Brass 10-32

Grounding Screw: Brass 8-32

Yoke: Zinc-Plated Steel

Strap Material: Steel

Color: Black

Mechanical Specifications

Terminal ID: Brass-Hot, Green-Ground, Silver-Neutral

Terminal Accom.: 18-10 AWG

Product ID: Ratings and NEMA I.D. permanently marked on device

Termination: Back & Side

Product Features

NEMA: L6-15R

Color: Black

Device Type: Locking Receptacle

Standards and Certifications

NEMA: WD-6

ANSI: C-73

UL498: File E13399

UL Fed Spec WC-596: File E13399

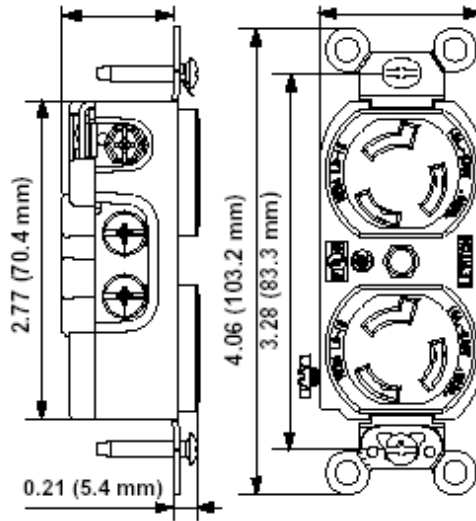
CSA C22.2 No. 42: File LR-406

NOM: 057

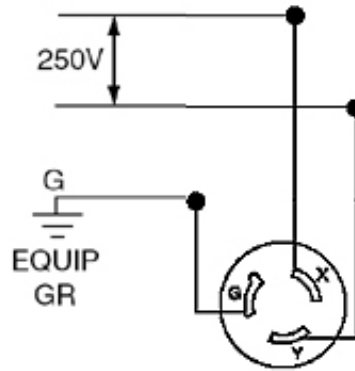
Warranty: Lifetime Warranty

Environmental Specifications

Environment: Dry



Wiring Diagram



L6-15R

SPECIFICATION SUBMITTAL

JOB NAME:	CATALOG NUMBERS:	
JOB NUMBER:		

Leviton Manufacturing Co., Inc.

201 North Service Road, Melville, NY 11747

Teléfono: +1-800-323-8920 · FAX: +1-800-832-9538 · Tech Line (8:30AM-7:30PM E.S.T. Monday-Friday): +1-800-824-3005

Leviton Manufacturing of Canada, Ltd.

165 Hymus Boulevard, Pointe Claire, Quebec H9R 1E9 · Telephone: +1-800-469-7890 ·

FAX: +1-800-824-3005 · www.leviton.com/canada

Leviton S. de R.L. de C.V.

Lago Tana 43, Mexico DF, Mexico CP 11290 · Tel.: (+52)55-5082-1040 · FAX: (+52)5386-

1797 · www.leviton.com.mx

Visit our Website at: www.leviton.com

© 2018 Leviton Manufacturing Co., Inc. Todos los derechos reservados. Subject to change without notice.

Leviton has a global presence.

If you would like to know where your local Leviton office is located please go to:

www.leviton.com/international/contacts/

