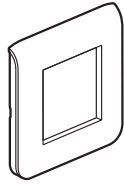
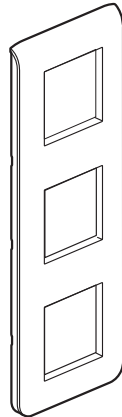


## Mosaic™ Cover plates

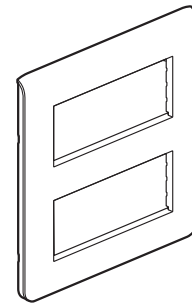
Cat. No(s): 0 788 01/02/03/04/06/08/10/11/14/15/16/18/22/23/25/28/30/32/36/37/38/54/56/64/66  
 0 793 01/02/03/04/06/08/10/11/14/15/16/18/22/23/25/28/30/32/36/37/38/54/64  
 0 790 42/44/54/62



0 788 02  
 0 793 02  
 0 790 42



0 788 23  
 0 793 23



0 788 30  
 0 793 30

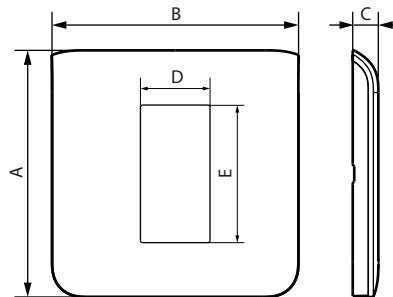
### 1. USE

Plates for covering mechanisms with 1 to 2 x 10 modules.

### 2. RANGE

	White	Alu	Contraste
1 module narrow	078801	079301	-
2 modules	078802	079302	079042
3 modules	078803	079303	-
1-gang / 1 module	078811	079311	-
4 modules - Horizontal	078814	079314	079054
5 modules - Horizontal	078815	079315	-
5 modules - Vertical	078825	079325	-
6 modules - Horizontal	078816	079316	-
8 modules - Horizontal	078818	079318	-
10 modules - Horizontal	078810	079310	-
2 x 2 modules - Horizontal	078804	079304	079044
2 x 2 modules - Vertical	078822	079322	079062
3 x 2 modules - Horizontal	078806	079306	-
3 x 2 modules - Vertical	078823	079323	-
4 x 2 modules - Horizontal	078808	079308	-
2 x 5 modules	078830	079330	-
2 x 6 modules	078836	079336	-
2 x 8 modules	078837	079337	-
2 x 10 modules	078828	079328	-
2 x 3 x 2 modules	078832	079332	-
2 x 2 x 2 modules	078838	079338	-
<b>Plates 57 mm center distance</b>			
2 x 2 modules - Vertical	078854	079354	-
2 x 2 modules - Horizontal	078864	079364	-
3 x 2 modules - Vertical	078856	-	-
3 x 2 modules - Horizontal	078866	-	-

### 3. DIMENSIONS (mm)



Catalogue Numbers	A	B	C	D	E
0 788 01 - 0 793 01	82	40	8.5	23	45.5
0 788 02 - 0 793 02 - 0 790 42	82	82	8.5	45.5	45.5
0 788 03 - 0 793 03	82	123	8.5	68	45.5
0 788 10 - 0793 10	82	295	8.5	226.5	45.5
0 788 11	82	82	8.5	23	45.5
0 788 14 - 0 793 14 - 0 790 54	82	153	8.5	91	45.5
0 788 15 - 0 793 15	82	153	8.5	113.5	45.5
0 788 16 - 0 793 16	82	224	8.5	136	45.5
0 788 18 - 0 793 18	82	224	8.5	181	45.5
0 788 04 - 0 793 04 - 0 790 44	82	153	8.5	45.5	45.5
0 788 06 - 0 793 06	82	224	8.5	45.5	45.5
0 788 08 - 0 793 08	82	295	8.5	45.5	45.5
0 788 22 - 0 790 22 - 0 790 62	153	82	8.5	45.5	45.5
0 788 23 - 0 790 23	224	82	8.5	45.5	45.5
0 788 25 - 0 793 25	153	82	8.5	45.5	113.5
0 788 28 - 0 793 28	166	318	8.5	226.5	45.5
0 788 30 - 0 790 30	166	166	9	113.5	45.5
0 788 36 - 0 793 36	166	237	9	136.5	45.5
0 788 37 - 0 793 37	166	237	9	182	45.5
0 788 32 - 0 793 32	166	237	9	45.5	45.5
0 788 38 - 0 793 38	166	166	9	45.5	45.5
0 788 54 - 0 793 54	139	82	8.5	45.5	45.5
0 788 56	196	82	8.5	45.5	45.5
0 788 64 - 0 793 64	82	139	8.5	45.5	45.5
0 788 66	82	196	8.5	45.5	45.5

#### 4. TECHNICAL CHARACTERISTICS

##### ■ 4.1 Mechanical characteristics

Impact test: IK 04

##### ■ 4.2 Material characteristics

Polygloss appearance

Halogen free

UV resistant

Material:

- Plates: PC + ABS colour White (RAL 9003)

PC + ABS painted Aluminium colour

PC + ABS colour Contraste (grey RAL 7016)

- Under-plate : PC White opalescent

Self-extinguishing: + 650° C / 30 s

+ 850° C / 30 s for multi-row plates

(Cat. Nos 0 788 30/32/36/37/38 - 0 793 30/32/36/37/38)

##### ■ 4.3 Climatic characteristics

Storage temperature: - 10° C to + 70° C

Use temperature: - 5° C to + 50° C

#### 5. CLEANING

Surface cleaning with a cloth.

Do not use: acetone, tar remover, trichloroethylene.

**Caution:** A preliminary test should be carried out if other specific cleaning products are to be used.

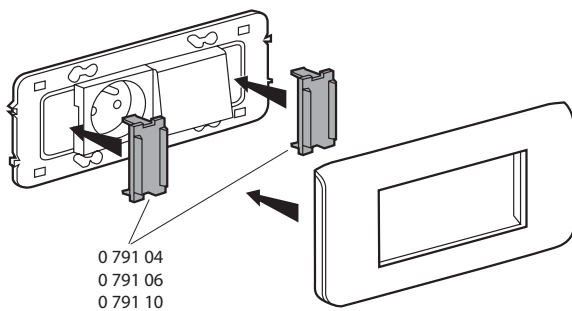
#### 6. SPECIAL USE

Mosaic plates must not be painted.

#### 7. ACCESSORIES

For 4, 6 and 10-module plates, use blanking plates:

Plates	Blanking plates
4 modules	0 791 04
6 modules	0 791 06
10 modules	0 791 10



Self-adhesive label holders for plates with 2 or more modules.

• Curver label holder: Cat. No 0 791 51

• Flat label holder, transparent: Cat. No 0 791 52