

## IPC-B640H-V/Z 4 MP EXIR VF Bullet Network Camera



### Key Features

- 1/3" progressive scan CMOS
- 2560 × 1440@20fps
- 2.8 mm to 12 mm varifocal lens
- H.265+, H.265, H.264+, H.264
- Color: 0.01 Lux @ (F1.2, AGC ON), 0.018 Lux @ (F1.6, AGC ON)
- BLC/3D DNR/ROI
- Up to 30 m IR range
- IP67
- 120 dB WDR
- Built-in micro SD/SDHC/SDXC card slot, up to 128 GB

## Specification

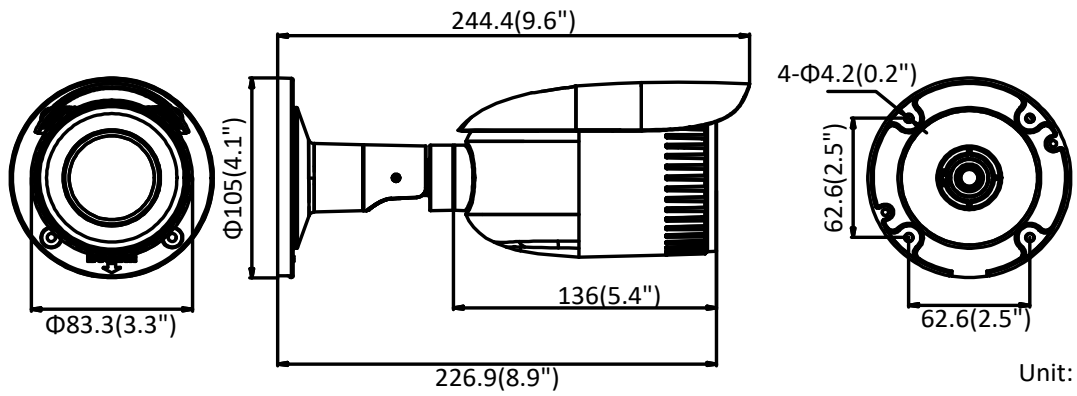
| <b>Camera</b>   |  |
|---|--|
| Image Sensor  | 1/3" Progressive Scan CMOS   |
| Min. Illumination   | Color: 0.01 Lux @(F1.2, AGC ON), 0.018 Lux @ (F1.6, AGC ON)  |
| Shutter Speed   | 1/3 s to 1/100, 000 s, support slow shutter  |
| Slow Shutter  | Yes  |
| Auto-Iris   | No   |
| Day & Night   | IR cut filter  |
| Digital Noise Reduction   | 3D DNR   |
| WDR   | 120 dB   |
| Angle Adjustment  | Pan: 0° to 360°, tilt: 0° to 90°, rotation: 0° to 360°   |
| <b>Lens</b>   |  |
| Focal Length  | 2.8 to 12 mm   |
| Aperture  | F1.6   |
| Focus   | -V: Manual<br>-Z: Auto   |
| FOV   | Horizontal field of view: 98° to 28°<br>Vertical field of view: 51° to 16°<br>Diagonal field of view: 115° to 32°                                  |
| Lens Mount  | Φ14  |
| <b>IR</b>   |  |
| IR Range  | Up to 30 m   |
| Wavelength  | 850 nm   |
| <b>Compression Standard</b>   |  |
| Video Compression   | Main stream: H.265/H.264<br>Sub-stream: H.265/H.264/MJPEG  |
| H.264 Type  | Baseline Profile/Main Profile/High Profile   |
| H.264+  | Main stream supports   |
| H.265 Type  | Main Profile   |
| H.265+  | Main stream supports   |
| Video Bit Rate  | 32 Kbps to 8 Mbps  |
| <b>Smart Feature-set</b>  |  |
| Region of Interest  | 1 fixed region for main stream and sub-stream  |
| <b>Image</b>  |  |
| Max. Resolution   | 2560 × 1440  |
| Main Stream<br>Max. Frame Rate  | 50Hz: 20fps (2560 × 1440), 25fps (2304 × 1296, 1920 × 1080, 1280 × 720)<br>60Hz: 20fps (2560 × 1440), 30fps (2304 × 1296, 1920 × 1080, 1280 × 720) |
| Sub-stream<br>Max. Frame Rate   | 50Hz: 25fps (640 × 480, 640 × 360, 320 × 240)<br>60Hz: 30fps (640 × 480, 640 × 360, 320 × 240)   |
| Image Enhancement   | BLC, 3D DNR  |
| Image Settings  | Saturation, brightness, contrast, sharpness, AGC, white balance adjustable by client software or web browser                                       |
| Day/Night Switch  | Day, night, auto, scheduled  |
| * Note: The frame rate of the sub-stream cannot exceed the maximum frame rate of the current main stream. |  |
| <b>Network</b>  |  |
| Network Storage   | Support Micro SD/SDHC/SDXC card (128G ), local storage and NAS (NFS,SMB/CIFS), ANR   |
| Alarm Trigger   | Motion detection, video tampering alarm, network disconnected, IP address conflicted, illegal login, HDD full, HDD error                           |

|                               |  |
|-------------------------------|--|
| Protocols                     | TCP/IP, ICMP, HTTP, HTTPS, FTP, DHCP, DNS, DDNS, RTP, RTSP, RTCP, NTP, UPnP™, SMTP, IGMP, 802.1X, QoS, IPv6, UDP, Bonjour  |
| General Function              | One-key reset, anti-flicker, heartbeat, mirror, password protection, privacy mask, watermark   |
| Firmware Version              | 5.5.2  |
| API                           | ONVIF (PROFILE S, PROFILE G), ISAPI  |
| Simultaneous Live View        | Up to 6 channels   |
| User/Host                     | Up to 32 users<br>3 levels: Administrator, Operator and User   |
| Client                        | HiLookVision PC Client, HiLookVision App   |
| Web Browser                   | IE8+, Chrome 41.0-44, Firefox 30.0-51, Safari 8.0-11   |
| <b>Interface</b>              |  |
| Communication Interface       | 1 RJ45 10M/100M self-adaptive Ethernet port  |
| Video Output (Without -Z)     | 1Vp-p composite output (75 Ω/BNC)  |
| Reset Button                  | Yes  |
| <b>General</b>                |  |
| Operating Conditions          | -30 °C to 60 °C (-22 °F to 140 °F), humidity: 95% or less (non-condensing)   |
| Power Supply                  | 12 VDC ± 20%, 5.5 mm coaxial power plug<br>PoE (802.3af, class 3)  |
| Power Consumption and Current | -Z: 12 VDC, 0.9 A, max. 11 W; PoE: (802.3af, 36 V to 57 V), 0.4 A to 0.2 A, max. 12.9 W<br>-V: 12 VDC, 0.6 A, max. 7 W; PoE: (802.3af, 36 V to 57 V), 0.3 A to 0.1 A, max. 9 W |
| Protection Level              | IP67<br>TVS 2000V lightning protection, surge protection and voltage transient protection  |
| Material                      | Metal  |
| Dimensions                    | 105 mm × 105 mm × 145 mm (4.1" × 4.1" × 5.7")  |
| Weight                        | Camera: approx. 1035 g (2.3 lb.)<br>With package: approx. 1550 g (3.4 lb.)   |

## Available Models

IPC-B640H-V (2.8 mm to 12 mm), IPC-B640H-Z (2.8 mm to 12 mm)

## Dimension



Unit: mm

## Accessory



DS-1260ZJ  
Junction Box