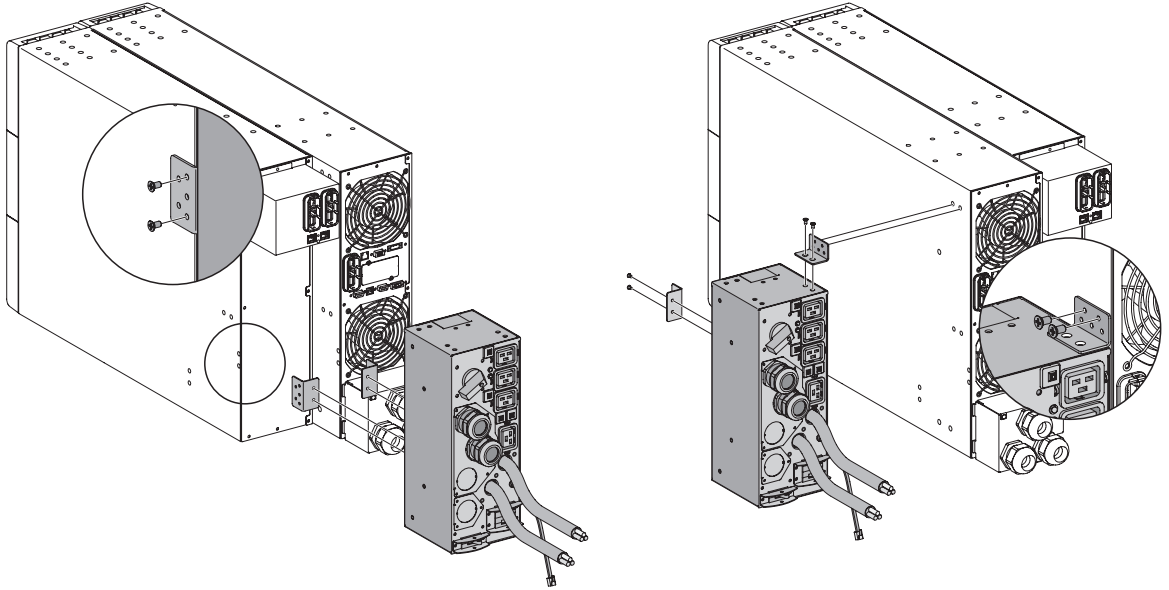


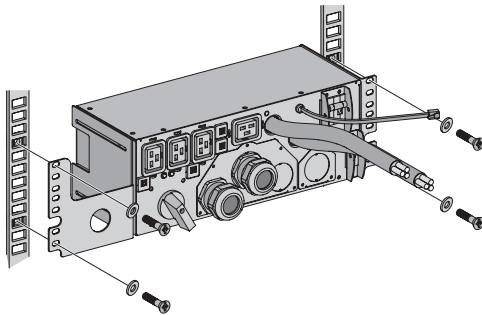
2. Presentation

MBP11Ki / MBP11Ki31

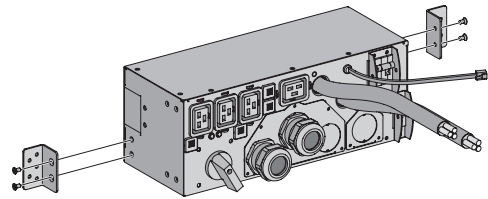
Tower installation



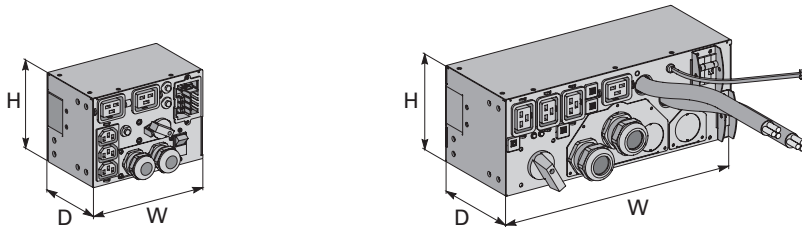
Rack installation



Wall mounting



Description	Weight (lb/kg)	Dimensions (inch/mm) D x W x H
MBP6Ki	5.5 / 2.5	4.3 x 7.0 x 5.1 / 110 x 177 x 130
MBP11Ki	12.1 / 5.5	5.2 x 13.2 x 5.1 / 132 x 336 x 130
MBP11Ki31	12.1 / 5.5	5.2 x 13.2 x 5.1 / 132 x 336 x 130



	MBP6Ki	MBP11Ki	MBP11Ki31
Input			
	Terminal blocks		
Input Bypass			
	N/A	Terminal Blocks	Terminal Blocks
Output			
	2 IEC 16A + 3IEC 10A + Terminal blocks	4 IEC 16A + Terminal blocks	4 IEC 16A + Terminal blocks
Overall dimensions D x W x H (inch / mm)			
	5.6 x 7.0 x 5.1 / 142 x 177 x 130	6.8 x 13.2 x 5.1 / 172 x 336 x 130	6.9 x 13.2 x 5.1 / 176 x 336 x 130
Weight (lb / kg)			
	5.5 / 2.5	12.1 / 5.5	12.1 / 5.5
Performance			
Nominal voltage	200 - 240 V ~	200 - 240 V ~	350 - 430 V ~
Frequency	50/60 Hz		
Input nominal current	30A	50A	50A
Maximal power	6000 VA	11000 VA	11000 VA
Standards (HotSwap MBP used with UPS)			
Safety	IEC/EN 62040-1 / Ed.1: 2008		
EMC	IEC 62040-2 / Ed.2: 2005 EN 62040-2 / Ed.2: 2006		
Performance	IEC/EN 62040-3 / Ed.2.0: 2011.		
ESD	IEC 61000-4-2 : level 3.		
Radiated field	IEC 61000-4-3 : level 3.		
EFT	IEC 61000-4-4 : level 4.		
Fast transients	IEC 61000-4-5 : level 4.		
Electromagnetic field	IEC 61000-4-6 : level 3.		
Conducted magnetic field	IEC 61000-4-8 : level 4.		
Marking			
	CE		
Environment			
Operating temperature	0 to 40°C (32 to 104°F)		
Storage temperature	-15 to 60°C (5 to 140°F)		
Transit temperature	-25 to 55°C (-13 to 130°F)		
Humidity	0 to 95% no condensing		
Operation Altitude	Up to 3,000 meters (9,843 ft) above sea level with 10% derating per 1000m		
Transit Altitude	Up to 10,000 meters (32,808 ft) above sea level		